

CHICAGO FAUCETS
a Geberit company

2100 South Clearwater Drive
Des Plaines, IL 60018
Phone: 847-803-5000
Fax: 847-803-5454
www.chicagofaucets.com

REPAIR PARTS

FITTING NO.

1003-CP

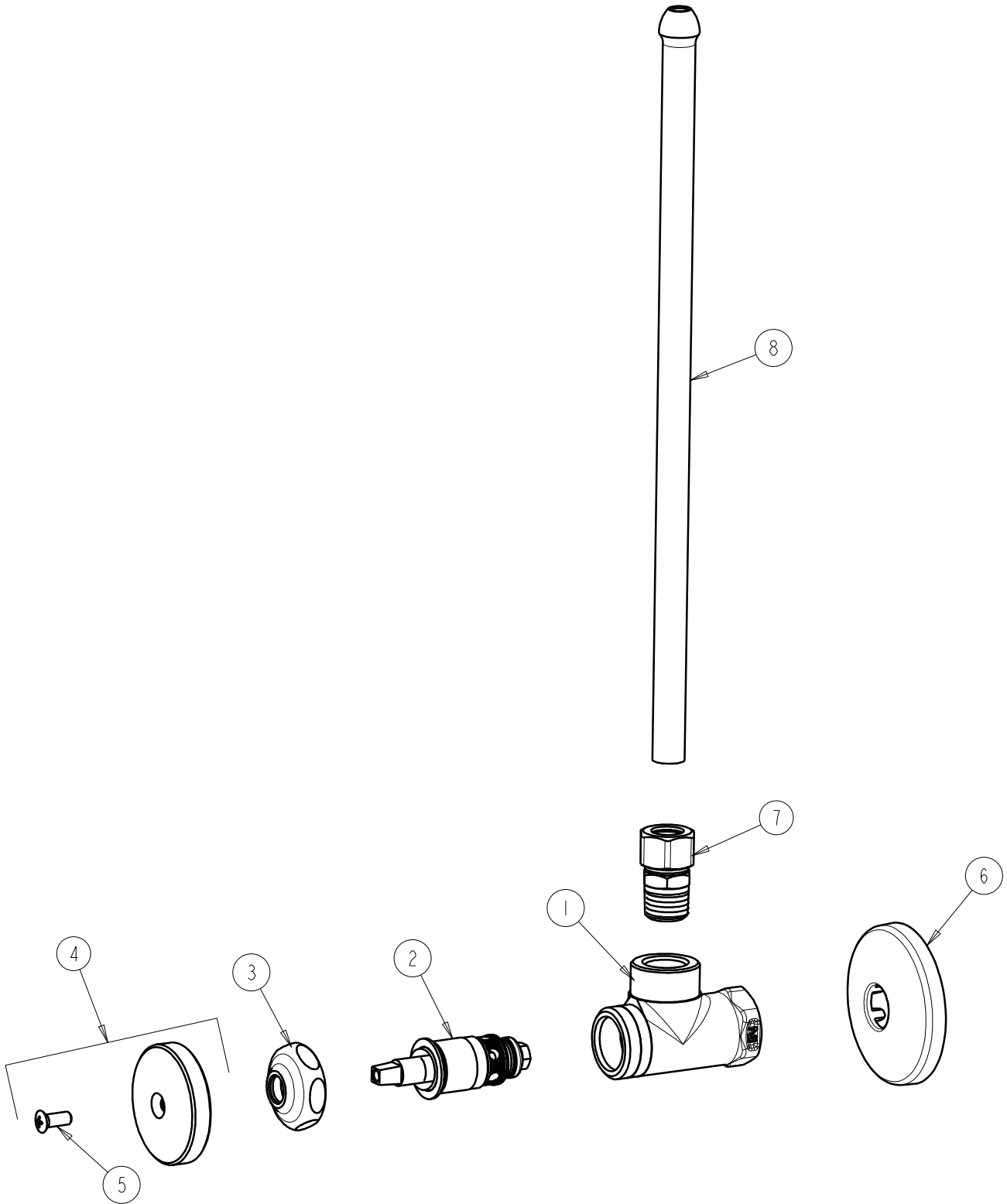
SUBMITTED MODEL NO.

ITEM NO.

FOR TECHNICAL ASSISTANCE
1-800-TEC-TRUE (1-800-832-8783)

BY: SID DATE: 02-12-09

CHK: *[Signature]* REV:



ITEM	PART NO.	DESCRIPTION	ITEM	PART NO.	DESCRIPTION
1	—	VALVE BODY (NOT SOLD SEPERATELY)	5	420-010JKRCF	SCREW, 10-32 UNC PH 1/2
2	217-XTLHJKNF	CARTRIDGE, SLO-COMPRESSION	6	1003-002JKCP	FLANGE
3	1-214JKCP	CAP	7	1022-006JKRCF	COMP. FITTING 1/2 TUBE X 3/8 NPT
4	318-JKCP	WHEEL HANDLE	8	1003-001JKRCF	FLEXIBLE TUBE 1/2 X 11-15/16