

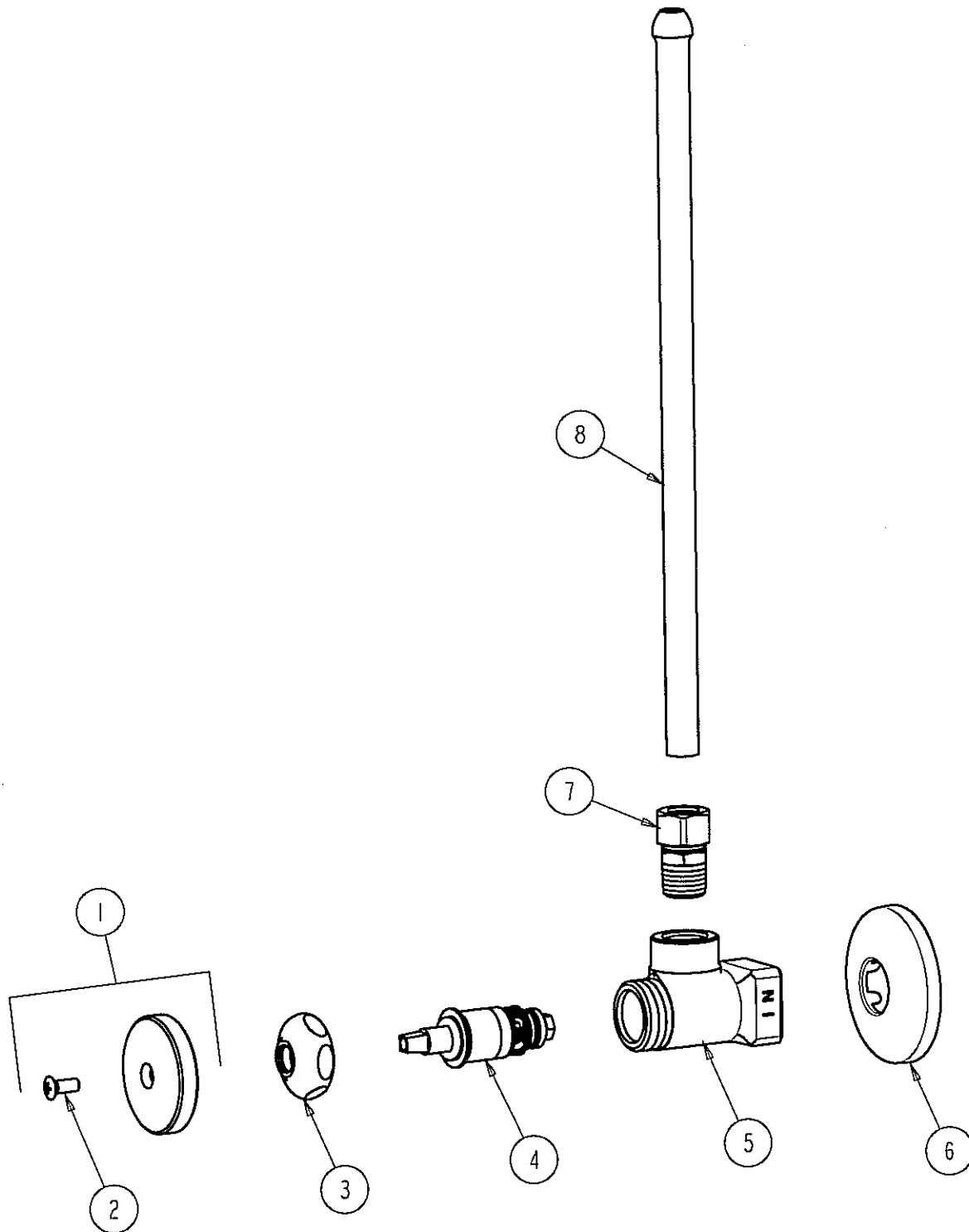
PARTS LIST

BY: SID
CHK'D: SID



FINISH: AS SPECIFIED
DATE: 09-18-02

1004



ITEM NO.	PART NO.	DESCRIPTION	ITEM NO.	PART NO.	DESCRIPTION
1	318	WHEEL HANDLE ASSEMBLY	6	749-016	WALL FLANGE
2	420-010	SCREW	7	1022-006	COMPRESSION FITTING
3	1-214	CAP	8	1003-001	SUPPLY TUBE
4	217XTLH	SLO-COMPRESSION UNIT (LH)			
5	-----	VALVE BODY (NOT SOLD SEPARATELY)			