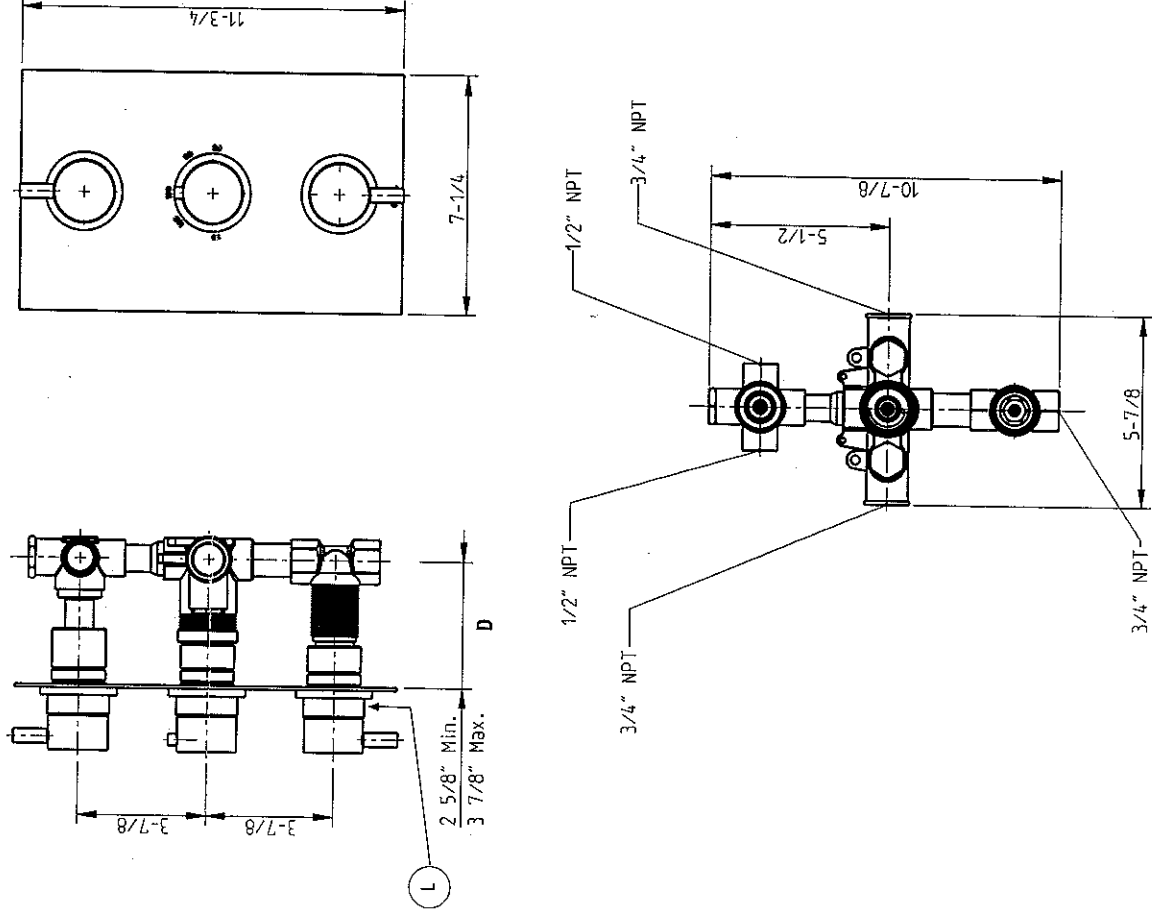


# TECHNICAL SPECIFICATIONS

## Techno

3 Holes 3/4" thermostatic with integral volume control & diverter

code | 221 613 XXX



Rough: 289 713 999 (sold separately)

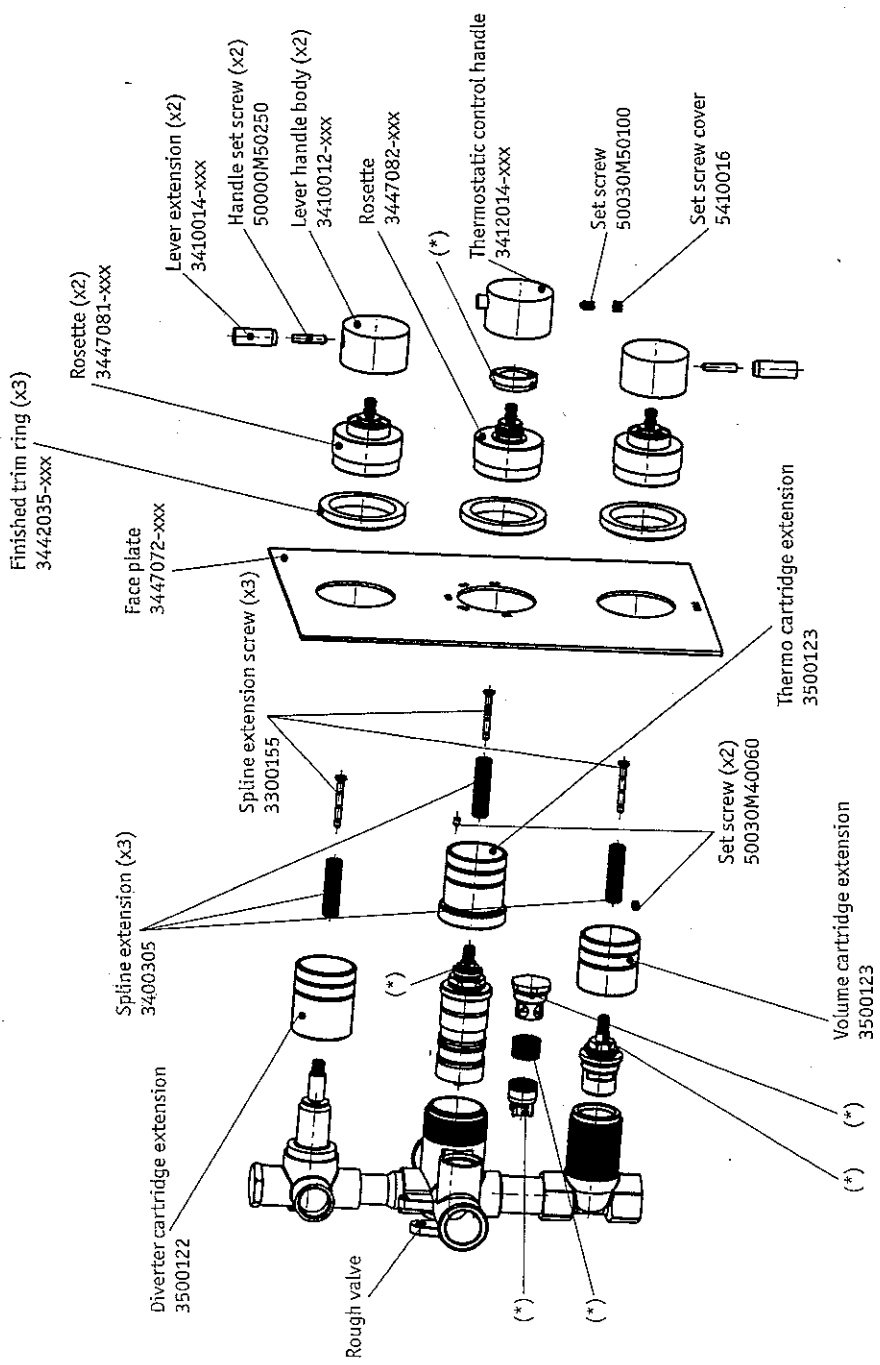
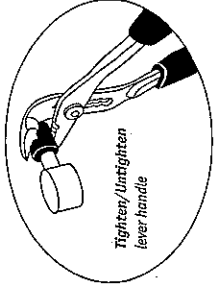
L Identification and certification label position.

dimensions inches

## PLUMBING

**CIFIAL USA**  
 USA P +1800 5284904 F+1800 5281969 info@cifialusa.com www.cifialusa.com  
**CIFIAL Torneiras, S.A.**  
 Portugal T +351 256 780 700 F+351 256 780 710 cifial@cifial.pt www.cifial.pt  
**CIFIALDECOR, S.A.**  
 Espanha T +34 916 110 261 F+34 916 103 694 cifialdecor@infonegocios.com  
**CIFIAL UK, Ltd.**  
 UK P +44 1933 402 008 F+44 1933 402 063 sales@cifial.co.uk www.cifial.co.uk

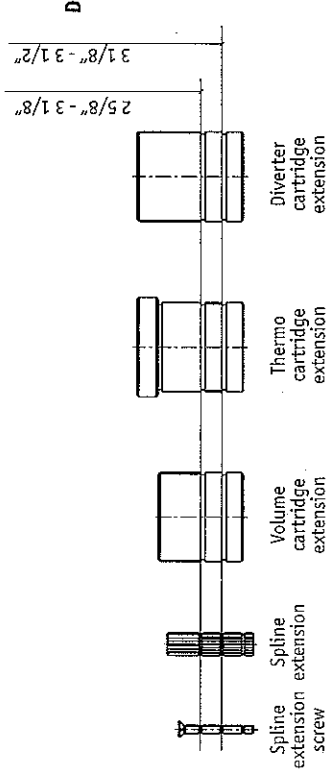




(\*) - Supplied with rough valve

## Installation

Before the trim installation, confirm the valve depth to the finished wall surface (dimension D on previous page drawing). If the valve depth fall in the range 3 1/2" - 3 7/8", install all the components as supplied. If not, the bellow components must be cutted, according to the actual valve depth (the components are grooved for that purpose).



## Operation

The upper handle controls a diverter valve.

The middle handle controls only the mixed water temperature.

The lower handle turns on and off the water and controls the flow rate.

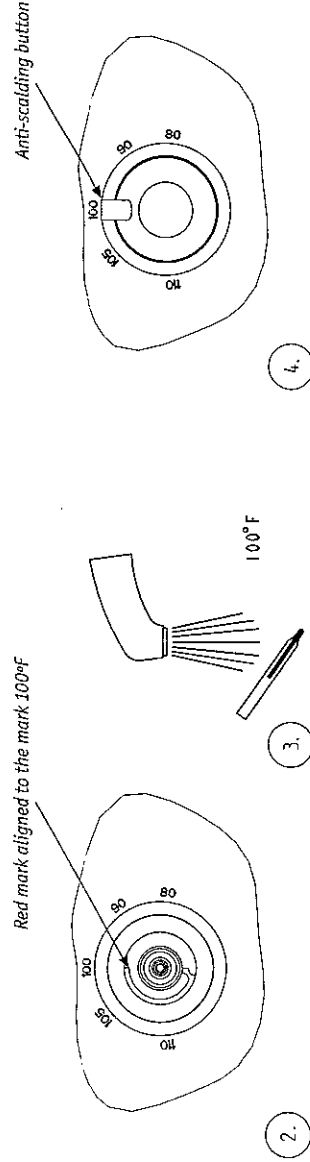
The confort zone is in the range from 90°F to 100°F, but total range is 80°F to 110°F.

Protection against scalding stops the rotation of the handle at 100°F. If water above 100°F is desired, press on the button and turn the knob counterclockwise, to prevent scalding, ensure that the handle is left in a previous position (= or <100°F).

## Thermostatic valve regulation (only when needed)

1. Remove the thermostatic handle control.
2. Confirm if the temperature limit stop on the spindle present its red mark coincident with the mark 100°F on the back plate; if not amend position.
3. Open the flow control valve, let the water run, and check by a thermometer the actual temperature delivered by the valve. It is advisable that you choose a temperature of 100°F, when resetting the calibration. To accomplish that, rotate the spindle counterclockwise to increase the temperature or vice-versa. To rotate the spindle, you can use the thermostatic handle control while depressing the button, if necessary.
4. Achieving the temperature of 100°F, apply the handle aligning the button with the mark 100°F.
5. Valve setting is now calibrated according to your own operating conditions.
6. Secure the thermostatic handle control with the grub screw.

**Note:** it's recommended that you rotate the thermostatic control handle between the maximum and minimum limits, by pressing security button, and with the water running. This way you prevent limestone incrustation, that could block up the thermostatic cartridge.

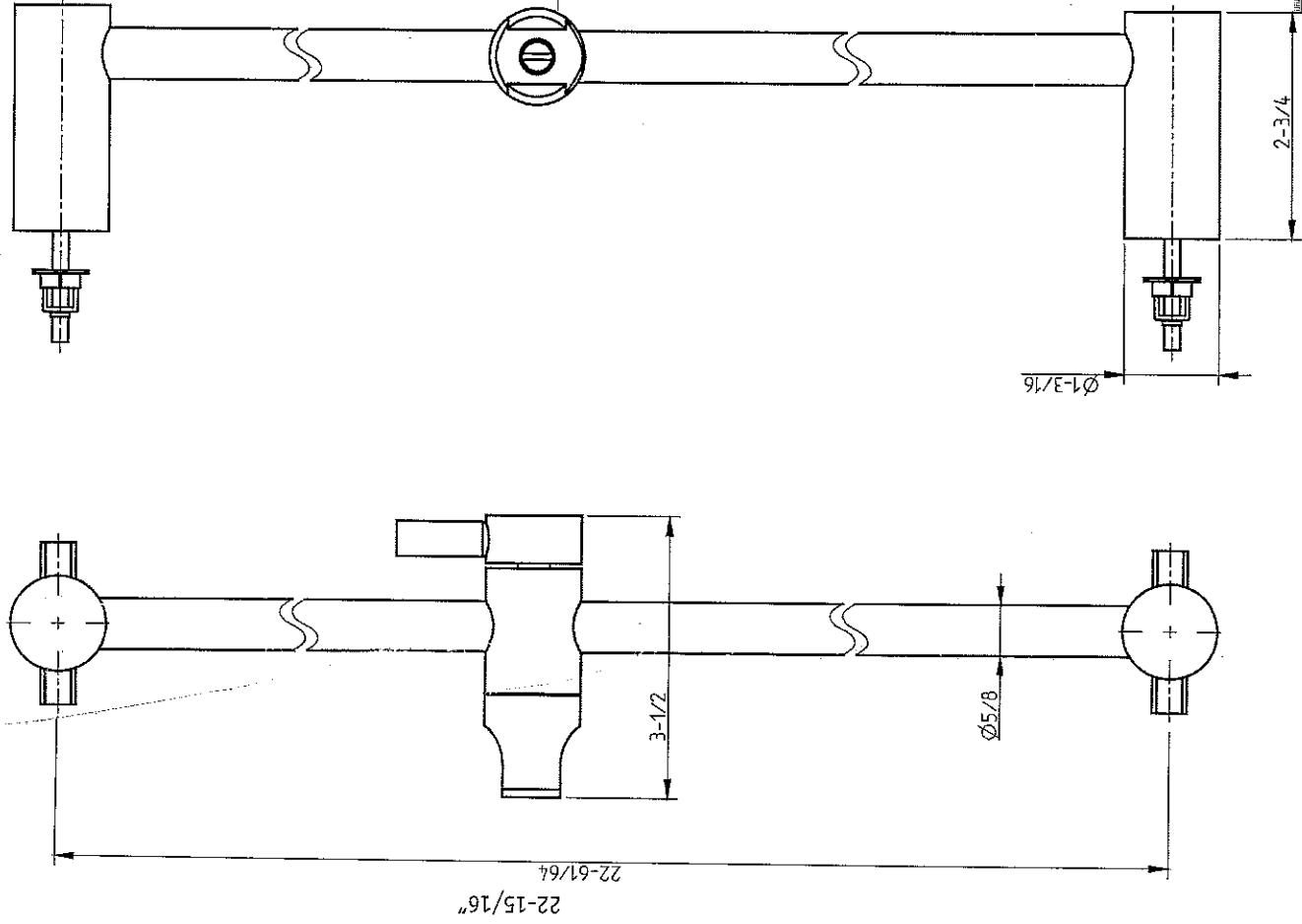


# TECHNICAL SPECIFICATIONS

## Techno

Handshower slide bar mount

code | 221 874 XXX



dimensions inches

5663184  
983TH002W03

## PLUMBING

### CIFIAL USA

USA P +1800 5284904 F +1800 5281989 info@cifialusa.com www.cifialusa.com

### CIFIAL Torretas, S.A.

Portugal T +351 256 780 700 F +351 256 780 710 cifial@cifial.pt www.cifial.pt

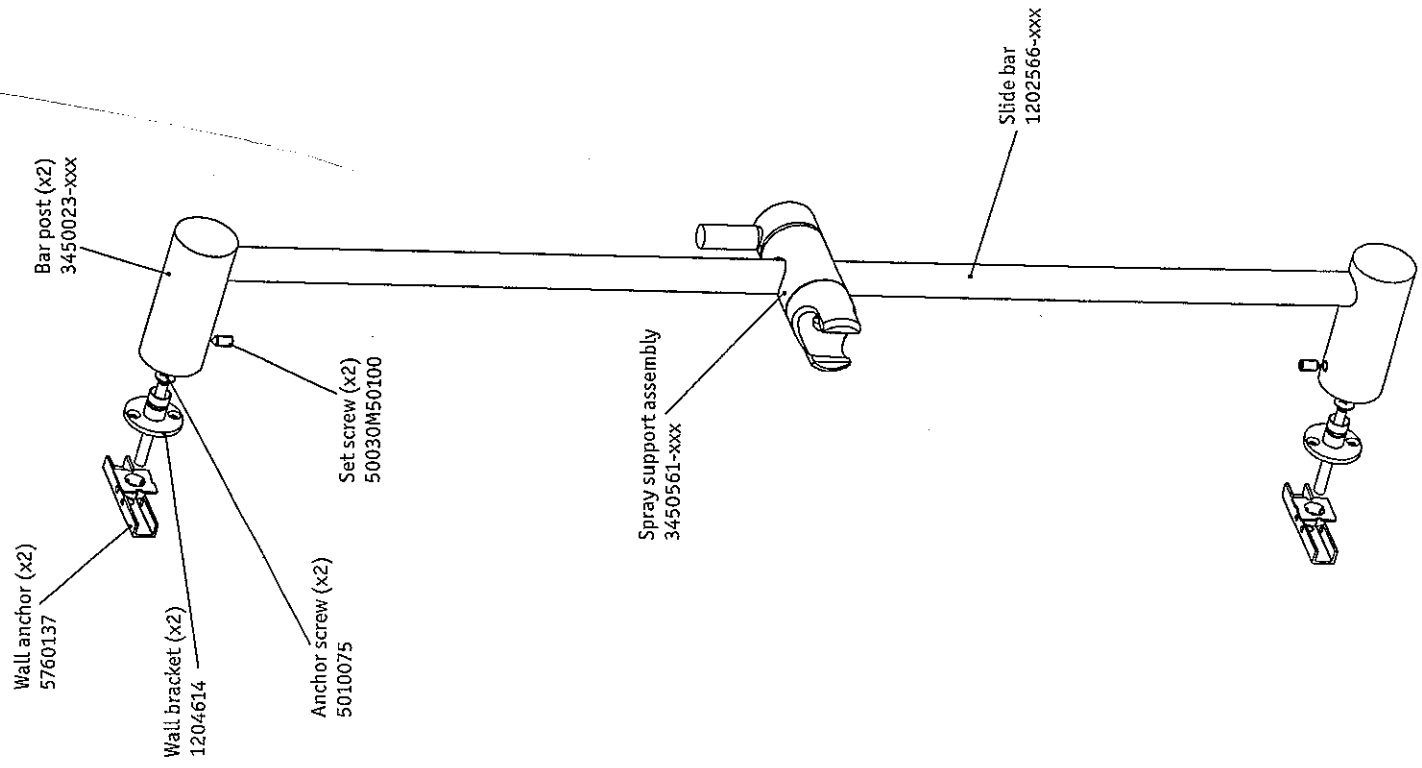
### CIFIALDECOR, S.A.

Espanha T +34 916 110 261 F +34 916 103 694 cifialdecor@infonegocios.com

### CIFIAL UK, Ltd.

UK P +44 1933 402 008 F +44 1933 402 063 sales@cifial.co.uk www.cifial.co.uk





5663184  
9831H002W03

Note: xxx represent different finishing

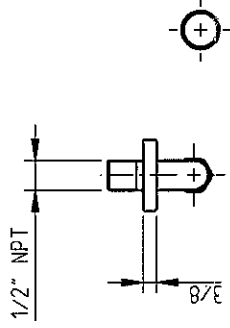
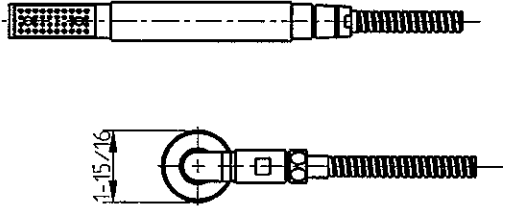
# TECHNICAL SPECIFICATIONS

## Techno

Wall mount handshower

221 882 xxx

**INSTALLER:** Please leave all leaflets with the building owner to file for future reference.



dimensions inches

5663626  
983TH018W00

## PLUMBING

**CIFIAL USA**

USA P +1800 5284904 F +1800 5281969 info@cifialusa.com www.cifialusa.com

**CIFIAL Tométras, S.A.**

Portugal T +351 256 780 700 F +351 256 780 710 cifial@cifial.pt www.cifial.pt

**CIFIALDECOR, S.A.**

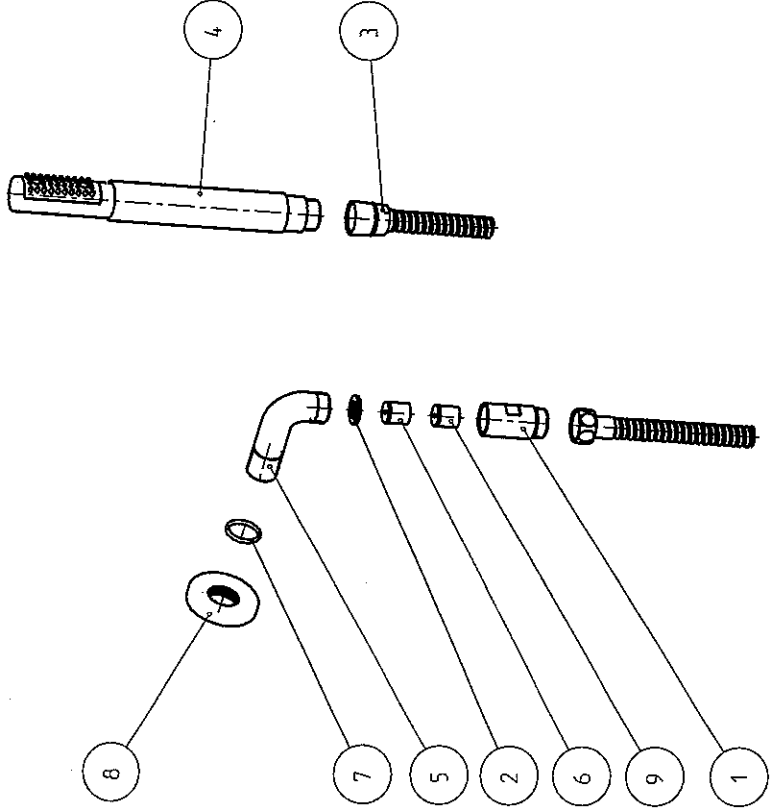
Espanha T +34 916 110 261 F +34 916 103 694 cifialdecor@infonegocio.com

**CIFIAL UK Ltd.**

UK P +44 1933 402 008 F +44 1933 402 063 sales@cifial.co.uk www.cifial.co.uk

# CIFIAL

Part N°	Assignment	Amount
1	Anti-siphon body	1
2	Rubber grommet	1
3	Flexible hose	1
4	Handshower	1
5	Elbow	1
6	Secondary anti-siphon check valve	1
7	O-ring	1
8	Wall flange	1
9	Primary anti-siphon check valve	1

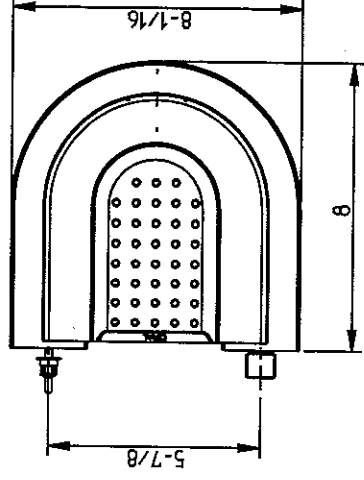
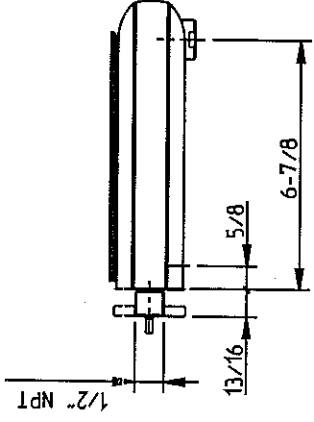


# TECHNICAL SPECIFICATIONS

## Techno

Spout with soap dish

222 875 XXX



5693624  
983TH017W01

dimensions inches

## PLUMBING

### CIFIAL USA

USA P +1800 5284904 F +1800 5281969 info@cifialusa.com www.cifialusa.com

### CIFIAL Torneiras, S.A.

Portugal T +351 256 780 700 F +351 256 780 710 cifial@cifial.pt www.cifial.pt

### CIFIALDECOR, S.A.

Espanha T +34 916 110 261 F +34 916 103 694 cifialdecor@infonegocio.com

### CIFIAL UK, Ltd.

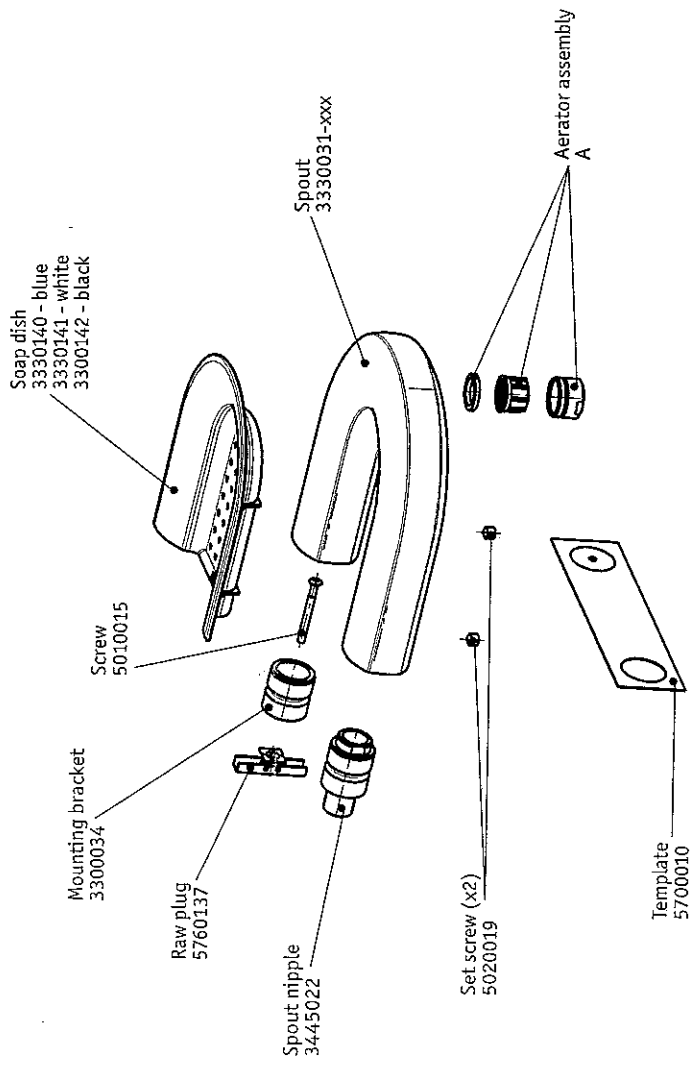
UK P +44 1933 402 008 F +44 1933 402 063 sales@cifial.co.uk www.cifial.co.uk





**Installation**

Use the supplied template to mount the spout. First thread the 1/2" nipple. Insert on the nipple the hole on the left side of the template, level and mark the position for the raw plug by the right hand of the template. Drill and insert the raw plug and mount the bracket using the screw without tightening it. Open the hole on the right side of the template, taking off the perforated circle. Insert once again the template with one of the holes on the nipple and the other on the mounting bracket. Tight definitively the mounting bracket. Remove the template, mount the spout and tight it with the correspondent set screws.



5663624  
983TH017W01

	625	620
A	5700180	3460016-620 5C02041 5C03041

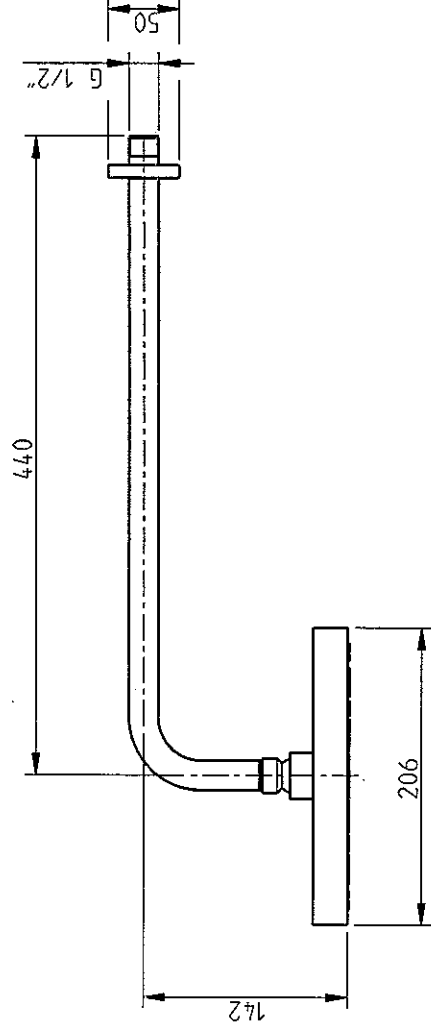
Note: xxx represent different finishing

# INSTRUÇÕES DE INSTALAÇÃO INSTALLATION INSTRUCTIONS

## Techno / *Technovation*

Chuveiro fixo com braço / Fixed shower head and arm

código/code | 34510TH-XXX



5663533  
983TH034D00

# CIFIAL

## TORNEIRAS / PLUMBING

**CIFIAL Torneiras, S.A.**  
Portugal T +351 256 780 700 F +351 256 780 710 [cifial@cifial.pt](mailto:cifial@cifial.pt) [www.cifial.pt](http://www.cifial.pt)  
**CIFIALDECOR, S.A.**  
Espanha T +34 916 110 263 F +34 916 103 694 [cifialdecor@infonegocio.com](mailto:cifialdecor@infonegocio.com)  
**CIFIAL UK, Ltd.**  
UK P +44 1933 402 008 F +44 1933 402 063 [sales@cifial.co.uk](mailto:sales@cifial.co.uk) [www.cifial.co.uk](http://www.cifial.co.uk)  
**CIFIAL USA**  
USA P +1800 5284904 F +1800 5281969 [info@cifial.usa.com](mailto:info@cifial.usa.com) [www.cifial.usa.com](http://www.cifial.usa.com)

Nº	Descrição/Description	Q
1	Chuveiro Shower head	1
2	O-ring O-ring	1
3	Roseta Rosette	1
4	Tubo Arm	1

