

QUADRA

technical specifications

224 100 xxx

Single handle low profile lavatory faucet



CIFIAL

COMPLETE **BATH** SOLUTIONS

CIFIAL – Torneiras, S.A.

Apartado 413
4524-907 Riomeão
PORTUGAL
40° 57' 29.20" N
8° 35' 11.40" W
Tel: +351 256 780 100
Fax: +351 256 783 395
comercial.torneiras@cifial.pt
www.cifial.pt

CIFIALdecor, S.A.

Avda. del Petróleo, 44
(Pol. Ind. San José de
Valderas)
28918 Leganes, Madrid
ESPAÑA
Tel: +34 916 110 261
Fax: +34 916 103 694
cifial@cifial.es

CIFIAL UK, Ltd.

7 Faraday Court, Park Farm
Industrial Estate, Wellingbor-
ough, Northants NN8 6XY
UK
Phone: +441 933 402 008
Fax: +441 933 402 063
sales@cifial.co.uk
www.cifial.co.uk

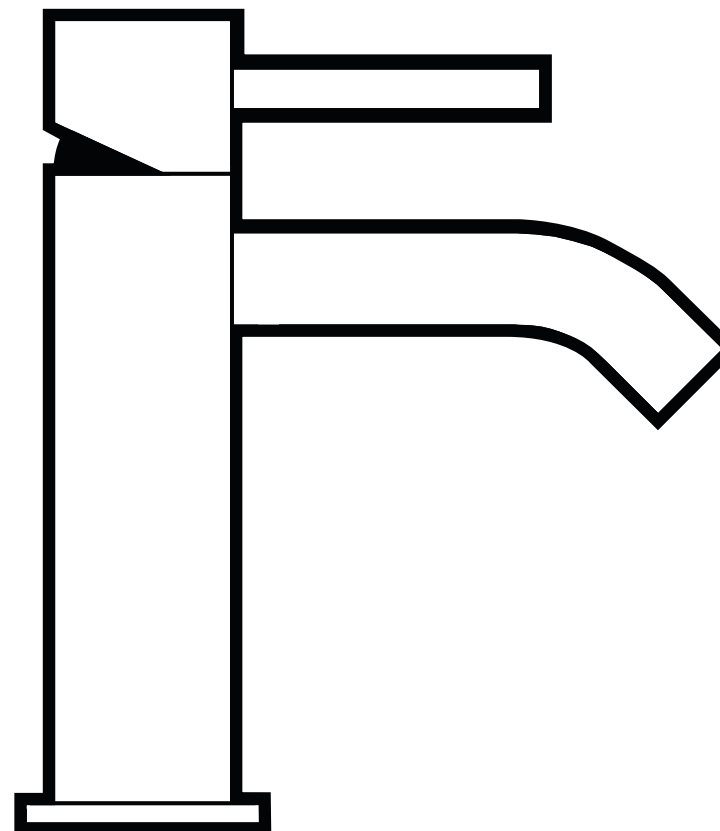
CIFIAL USA

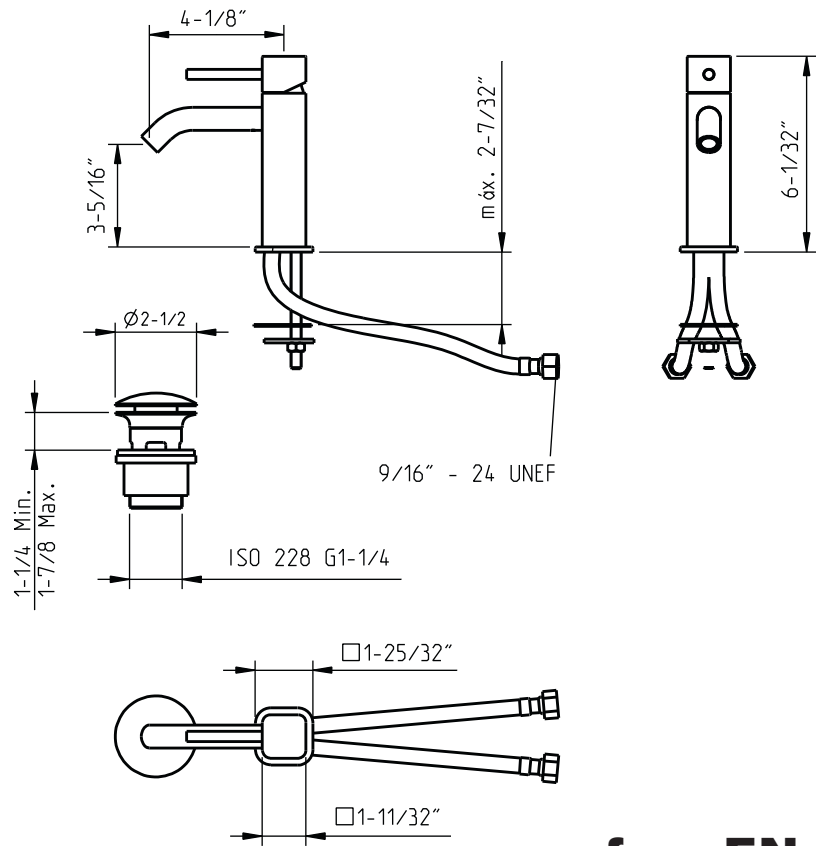
6540 Peachtree Industrial Blvd.
Suite A
Norcross, GA 30071
USA
Tel: +1 800 528 4904
Fax: +1 800 528 1969
www.cifialusa.com

CIFIAL Polska sp. z o.o.

ul. Macieja Rataja 12
05-070 Sulejówek
Warsaw
POLAND
Tel: +48 22 7831699
Fax: +48 22 783 15 09
cifial@cifial.pl
www.cifial.pl

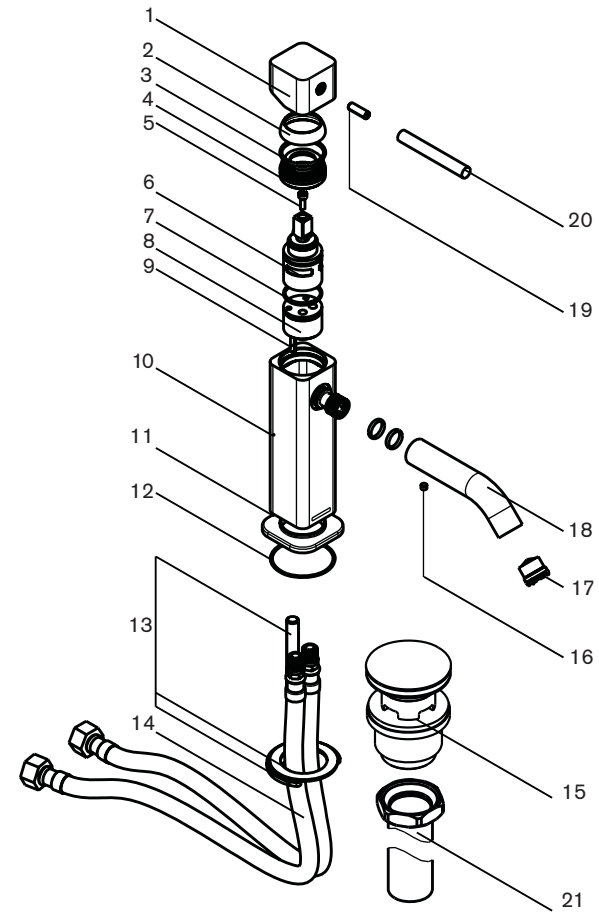
5663978 / 9830D00W03





ref. EN

1	3411071-xxx	lever
2	3400246-xxx	domed collar
3	5610260-200	o-ring
4	5712158	nut
5	5020274	screw
6	5711035	ceramic cartridge
7	5310220-150	o-ring
8	3300570	valve housing
9	5745030i014	spring-type straight pin slotted
10	3320123-xxx	spout assembly
11	3447124-xxx	spout base
12	5310380-150	o-ring
13	5710241	fixing set
14	5700120	flexible hose (x2)
15	(*1)	slotted clic-clac waste assembly
16	50030M40040	set screw (x2)
17	5713132	aerator
18	330090-xxx	spout
19	5020240	grub screw
20	340087-xxx	lever handle extension
21	(*)	slotted clic-clac waste tube



5663978 / 9830D000W03

(*) 5710018 (625) / 3620030-xxx (other finishes)

(*1) 5710820 (625) / 3620275-xxx (other finishes)

dimensions inches

note: xxx stands for different finishes