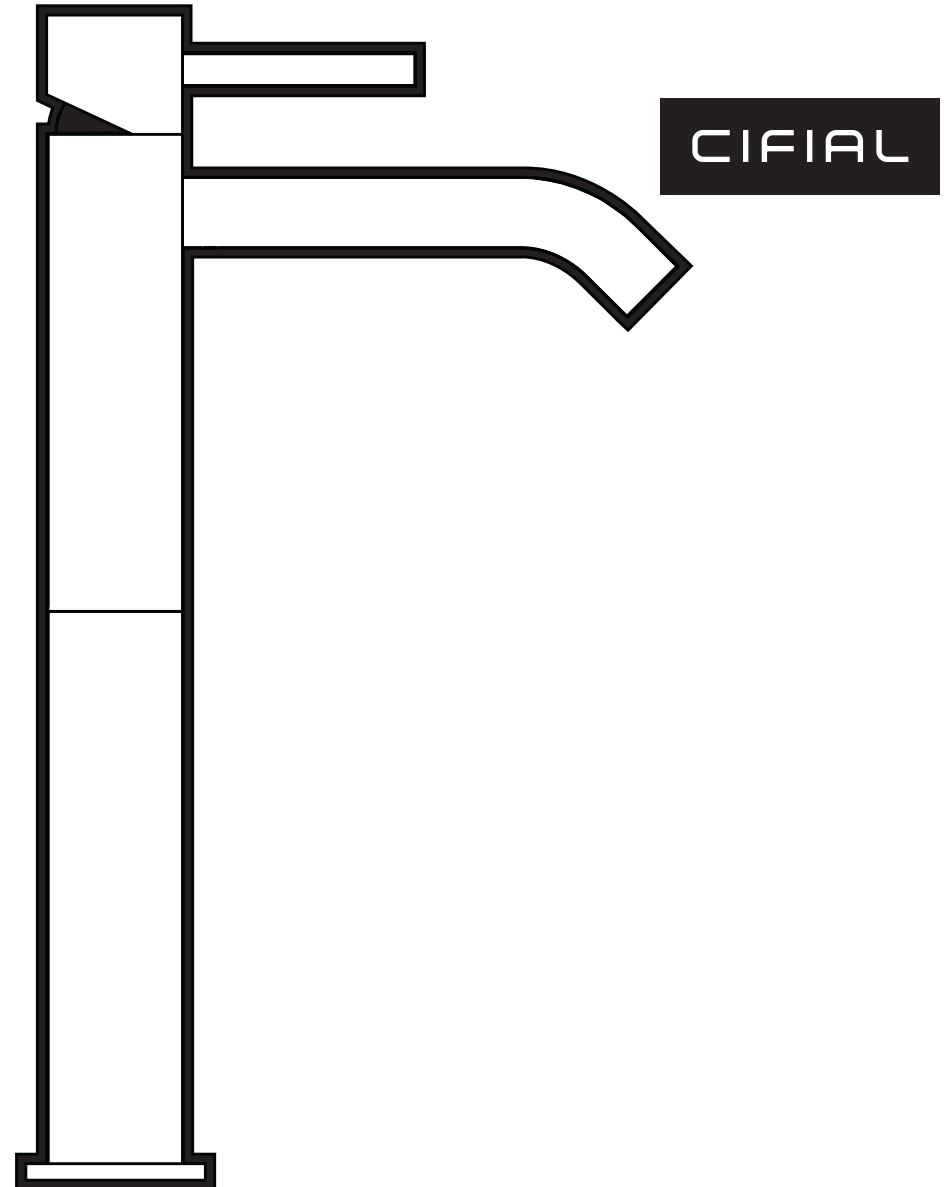


QUADRA

technical specifications

224 101 XXX

Single handle high profile lavatory faucet



COMPLETE **BATH** SOLUTIONS

CIFIAL – Torneiras, S.A.
Apartado 413
4524-907 Riomeão
PORTUGAL
40° 57' 29.20" N
8° 35' 11.40" W
Tel: +351 256 780 100
Fax: +351 256 783 395
comercial.torneiras@cifial.pt
www.cifial.pt

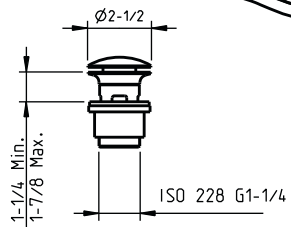
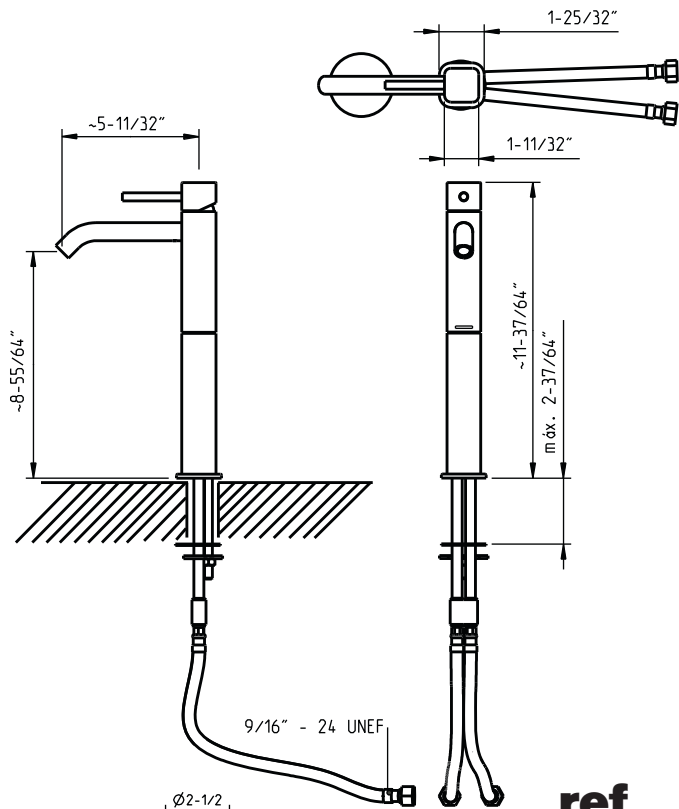
CIFIALdecor, S.A.
Avda. del Petróleo, 44
(Pol. Ind. San José de
Valderas)
28918 Leganes, Madrid
ESPAÑA
Tel: +34 916 110 261
Fax: +34 916 103 694
cifial@cifial.es

CIFIAL UK, Ltd.
7 Faraday Court, Park Farm
Industrial Estate, Wellingbor-
ough, Northants NN8 6XY
UK
Phone: +441 933 402 008
Fax: +441 933 402 063
sales@cifial.co.uk
www.cifial.co.uk

CIFIAL USA
6540 Peachtree Industrial Blvd.
Suite A
Norcross, GA 30071
USA
Tel: +1 800 528 4904
Fax: +1 800 528 1969
www.cifialusa.com

CIFIAL Polska sp. z o.o.
ul. Macieja Rataja 12
05-070 Sulejów
Warsaw
POLAND
Tel: +48 22 7831699
Fax: +48 22 783 15 09
cifial@cifial.pl
www.cifial.pl

5663979 / 9830D001W05



ref. EN

1	5713010	aerator
2	3400254-xxx	tap body extension
3	3447124-xxx	spout base
4	(*1)	slotted clic-clac waste assembly
5	5710242	fixing set
6	5700120	flexivel hose (x2)
7	5310380-150	o-ring
8	3300151-720	copper connection (x2)
9	3320123-xxx	spout assembly
10	5745030i014	spring-type straight pin slotted
11	5310220-150	o-ring
12	5711035	ceramic cartridge
13	5712158	cartridge nut
14	3400246-xxx	domed collar
15	3411071-xxx	lever handle body
16	5020240	grub screw
17	3400087-xxx	lever handle extension
18	3300570	valve housing
19	50030M40040	grub screw
20	3330091-xxx	spout
21	5310260-200	o-ring
22	5020274	screw
23	(*)	slotted clic-clac waste tube

