

# QUADRA

technical specifications

## 224 152 XXX

Concealed single lever mixer



# CIFIAL

## COMPLETE **BATH** SOLUTIONS

### **CIFIAL – Torneiras, S.A.**

Apartado 413  
4524-907 Riomeão  
PORTUGAL  
40° 57' 29.20" N  
8° 35' 11.40" W  
Tel: +351 256 780 100  
Fax: +351 256 783 395  
comercial.torneiras@cifial.pt  
www.cifial.pt

### **CIFIALdecor, S.A.**

Avda. del Petróleo, 44  
(Pol. Ind. San José de  
Valderas)  
28918 Leganes, Madrid  
ESPAÑA  
Tel: +34 916 110 261  
Fax: +34 916 103 694  
cifial@cifial.es

### **CIFIAL UK, Ltd.**

7 Faraday Court, Park Farm  
Industrial Estate, Wellingbor-  
ough, Northants NN8 6XY  
UK  
Phone: +441 933 402 008  
Fax: +441 933 402 063  
sales@cifial.co.uk  
www.cifial.co.uk

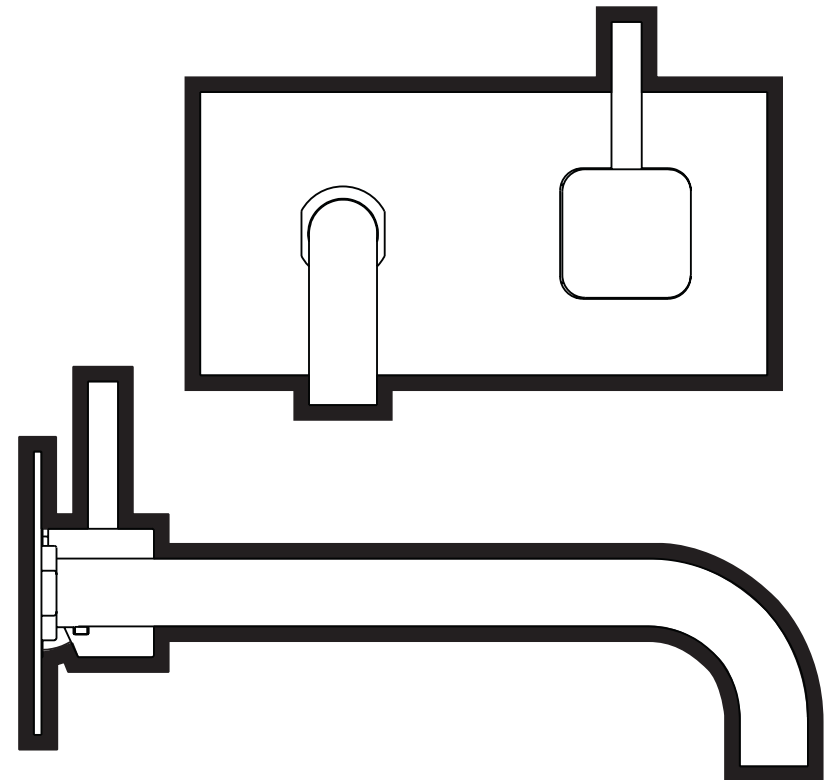
### **CIFIAL USA**

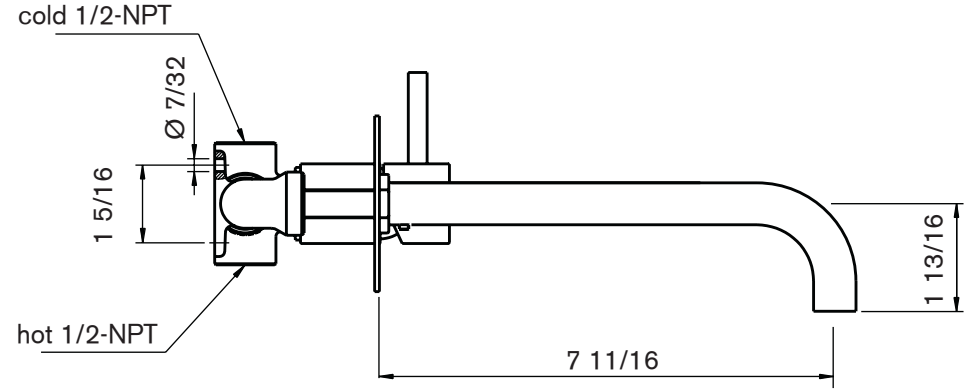
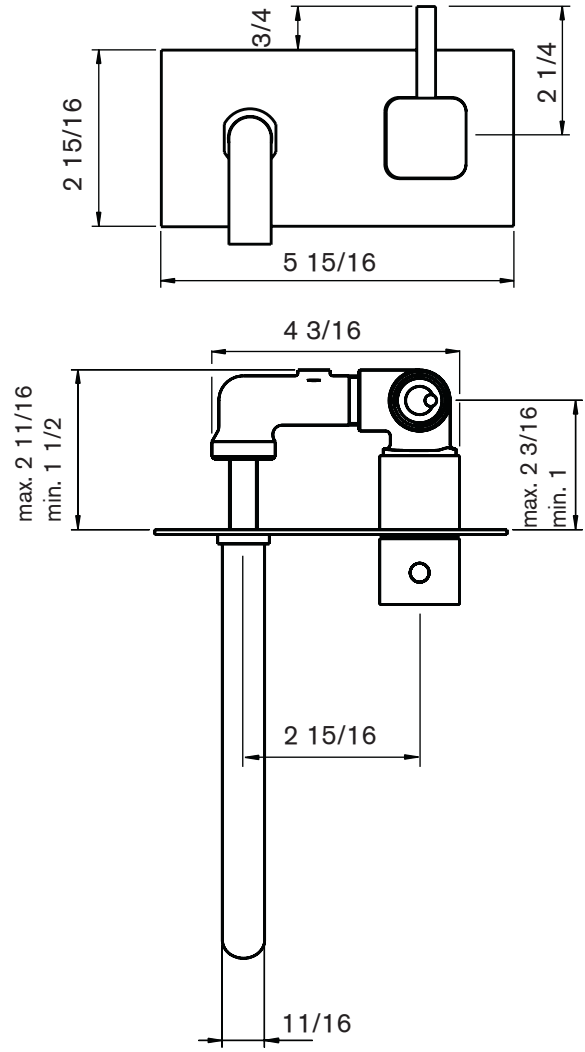
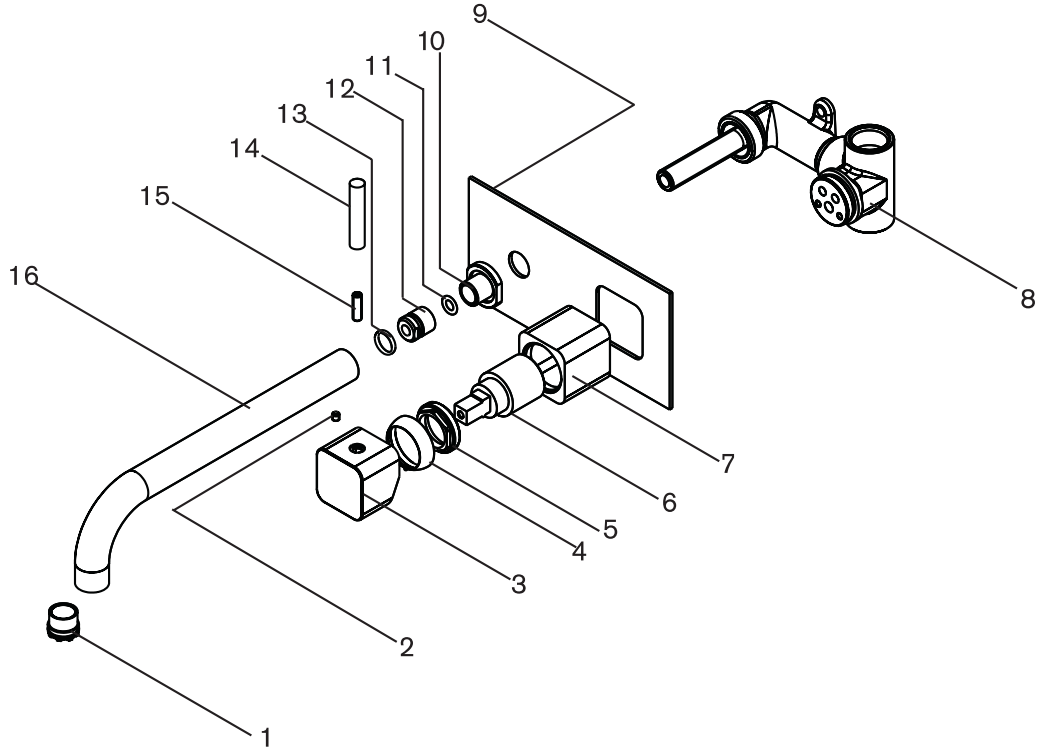
6540 Peachtree Industrial Blvd.  
Suite A  
Norcross, GA 30071  
USA  
Tel: +1 800 528 4904  
Fax: +1 800 528 1969  
info@cifialusa.com  
www.cifialusa.com

### **CIFIAL Polska sp. z o.o.**

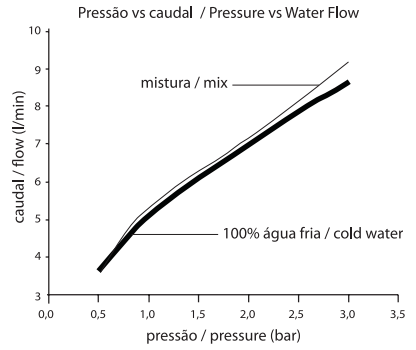
ul. Macieja Rataja 12  
05-070 Sulejówek  
Warsaw  
POLAND  
Tel: +48 22 7831699  
Fax: +48 22 783 15 09  
cifial@cifial.pl  
www.cifial.pl

5663980 / 9830D002W03





5663980 / 9830D002W03



**ref. EN**

1	5713132	aerator
2	5020289	set screw
3	3411071-xxx	lever handle
4	5712155	domed collar
5	5712154	cartridge nut
6	5711474	ceramic cartridge
7	3300221-xxx	single lever body
8	3540014	valve body
9	3447129-xxx	backplate
10	3445061-xxx	fixing backplate
11	5310064-190	o-ring
12	3410068-xxx	lever peg
13	3300225	cap sealing
14	5020240	set screw
15	5310101-160	o-ring
16	3330094-xxx	spout

dimensions inches  
**note:** xxx stands for different finishes