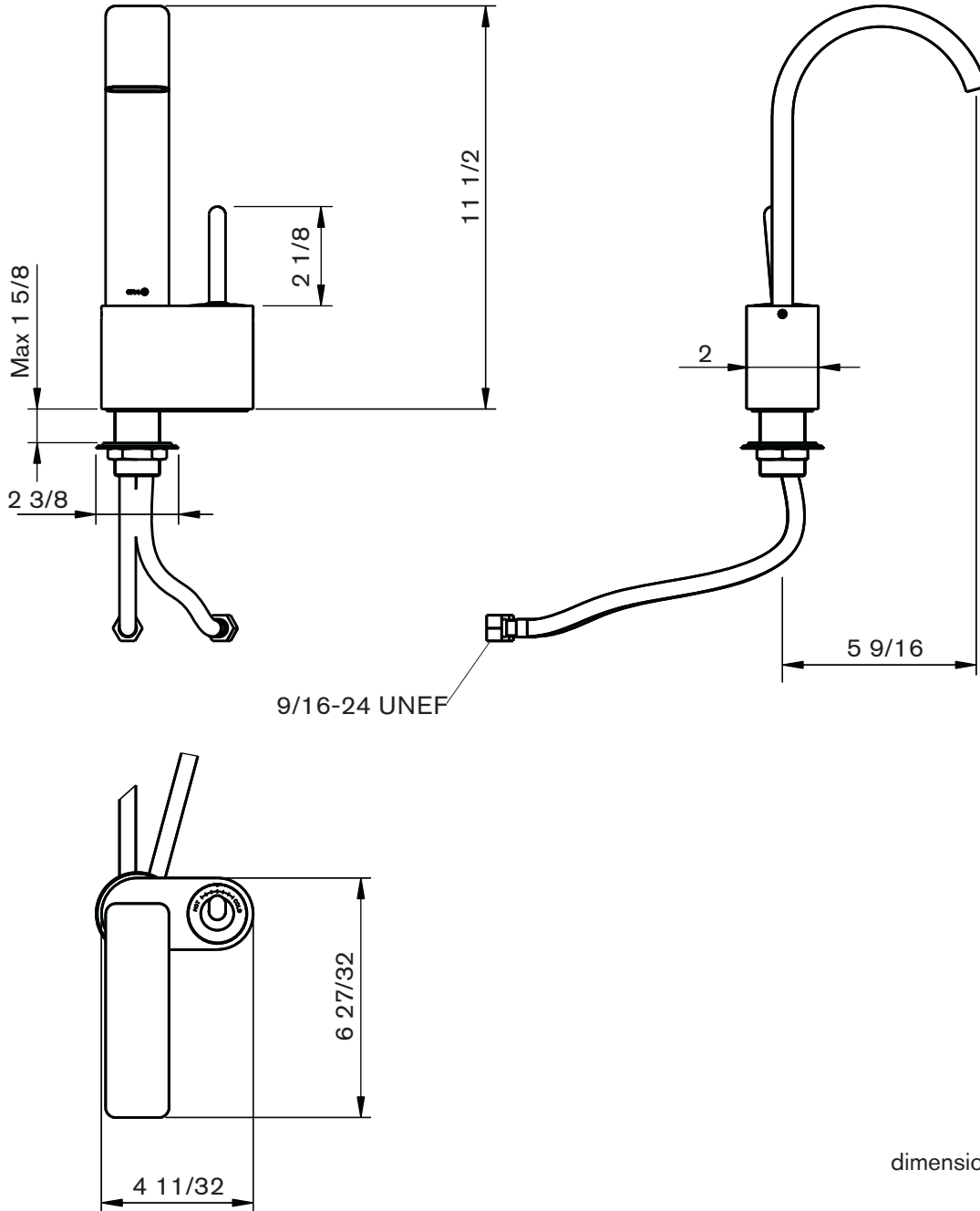


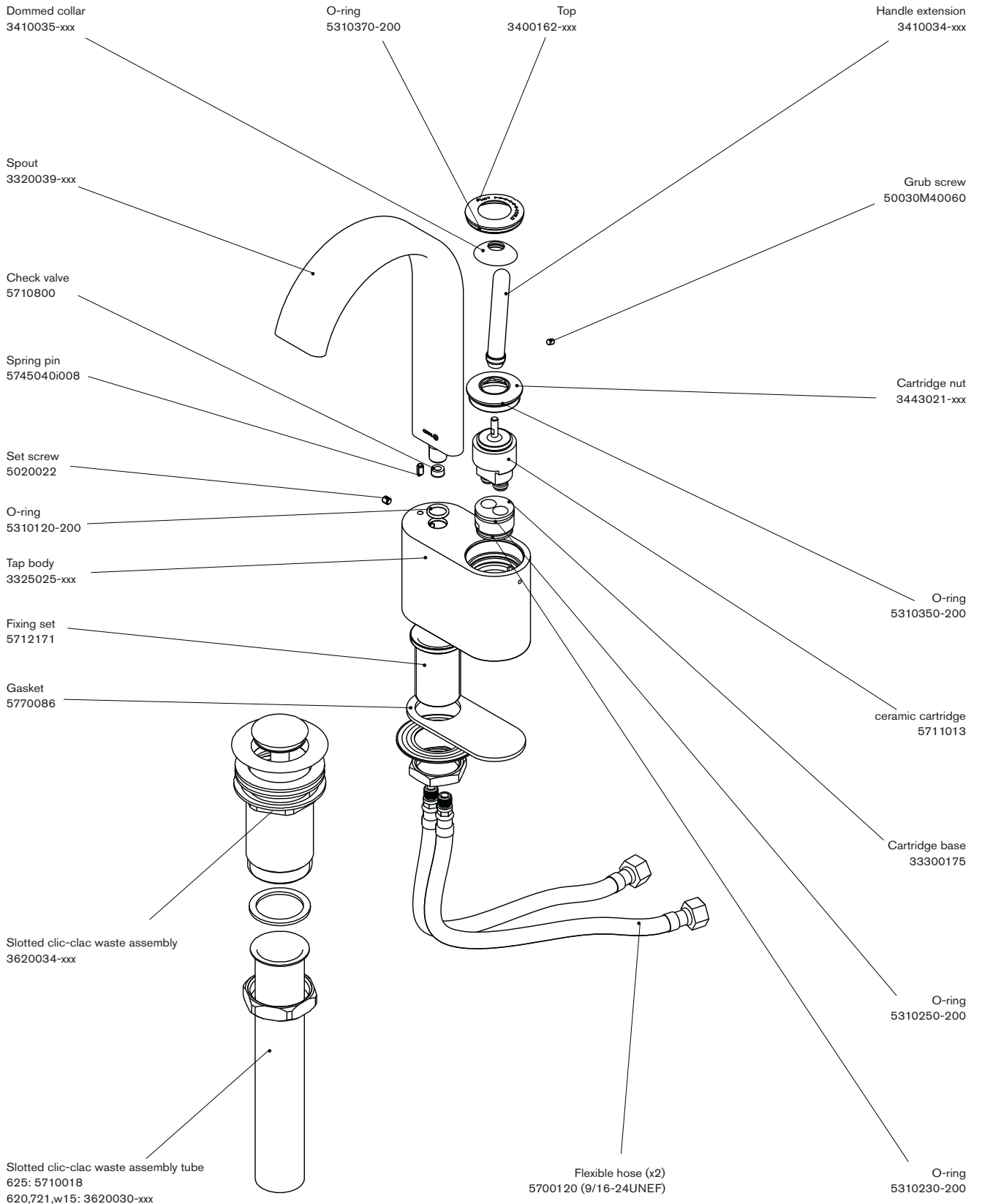
M3

Single handle high profile lavatory faucet



technical specifications
 note: xxx represent different finishes

code: 231 100 xxx



www.cifial.pt | cifial@cifial.pt
 cifial@cifial.es
 www.cifial.co.uk | sales@cifial.co.uk
 www.cifialusa.com | info@cifialusa.com

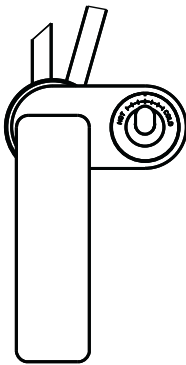
5663986
 983M1000W02

EN

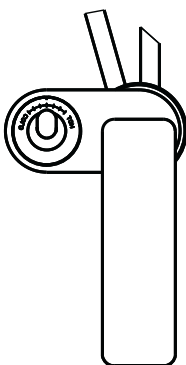
maintenance or replacement of check-valve

Remove the spout from the tap body, unscrewing its set screw. The check valve is installed and available in the spout base.

spout on the left side option (pre-assembled at factory)



spout on the right side option



mounting options

To change position of the spout, start disassembling as above mentioned. Turn the tap body 180°, disassembling the cartridge as per technical drawing, turn it 180°, turn the cover 180° and reassemble all components again.

disassembling cartridge

hexagonal accessory (supplied)
wrench (not supplied)

