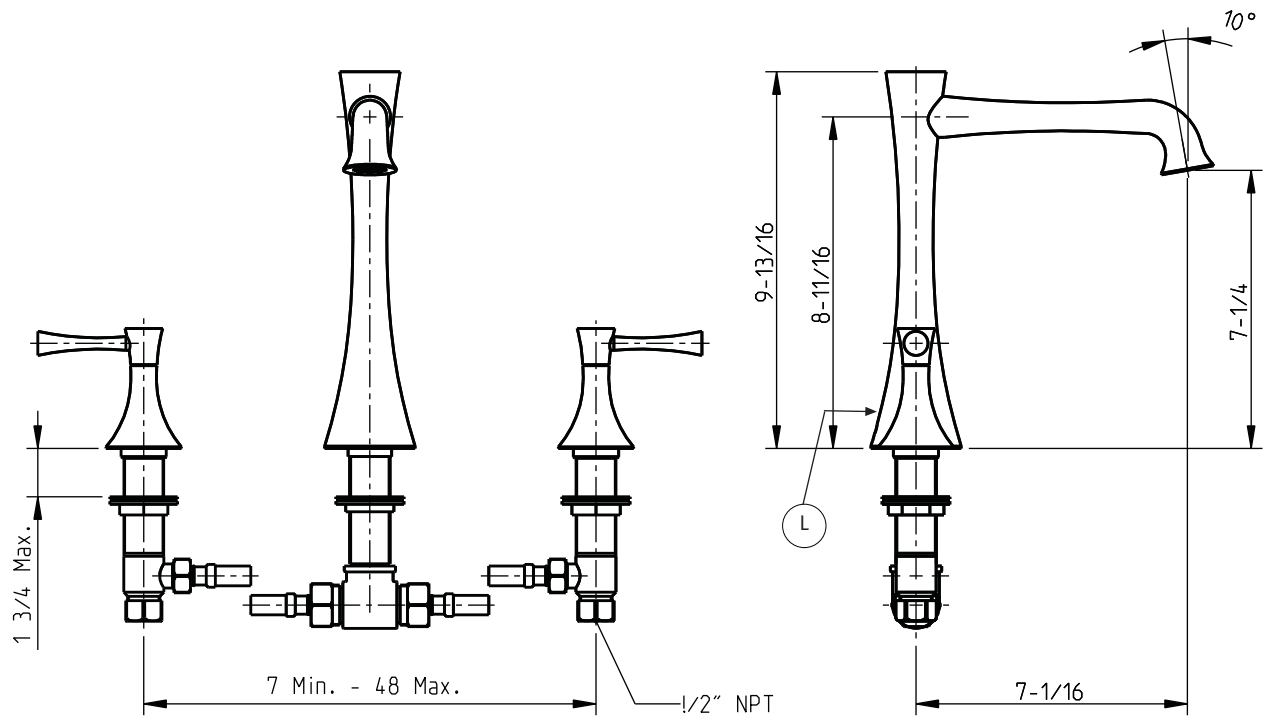


TECHNICAL SPECIFICATIONS

Brookhaven L Spout

3 Pieces roman tub filler

code | 245 650 xxx



Rough: 289 741 999 (sold separately)

(L) Identification and certification label position.

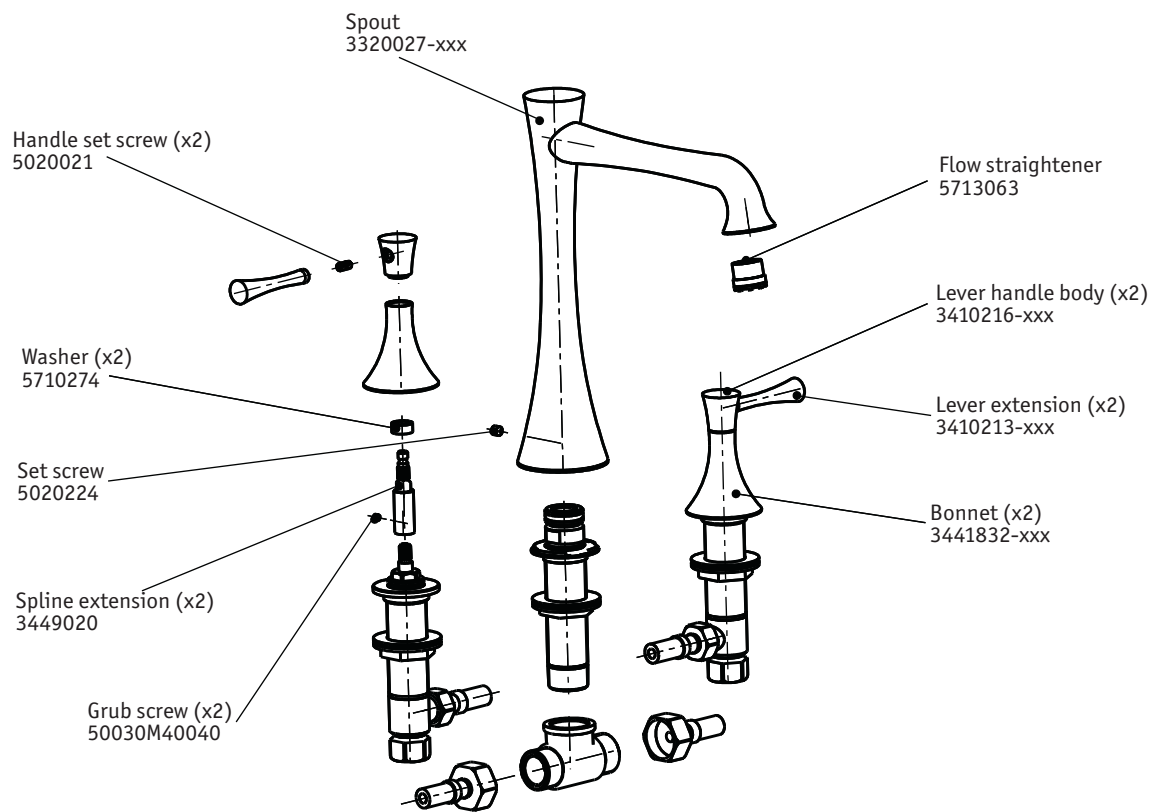
5663507
983BS02W02

dimensions inches

PLUMBING

CIFIAL

CIFIAL USA
USA P +1800 5284904 F +1800 5281969 info@cifialusa.com www.cifialusa.com
CIFIAL Torneiras, S.A.
Portugal T +351 256 780 700 F +351 256 780 710 cifial@cifial.pt www.cifial.pt
CIFIALDECOR, S.A.
Espanha T +34 916 110 261 F +34 916 103 694 cifialdecor@infonegocio.com
CIFIAL UK, Ltd.
UK P +44 1933 402 008 F +44 1933 402 063 sales@cifial.co.uk www.cifial.co.uk



5663507
983BS002W02

Note: xxx represent different finishing.