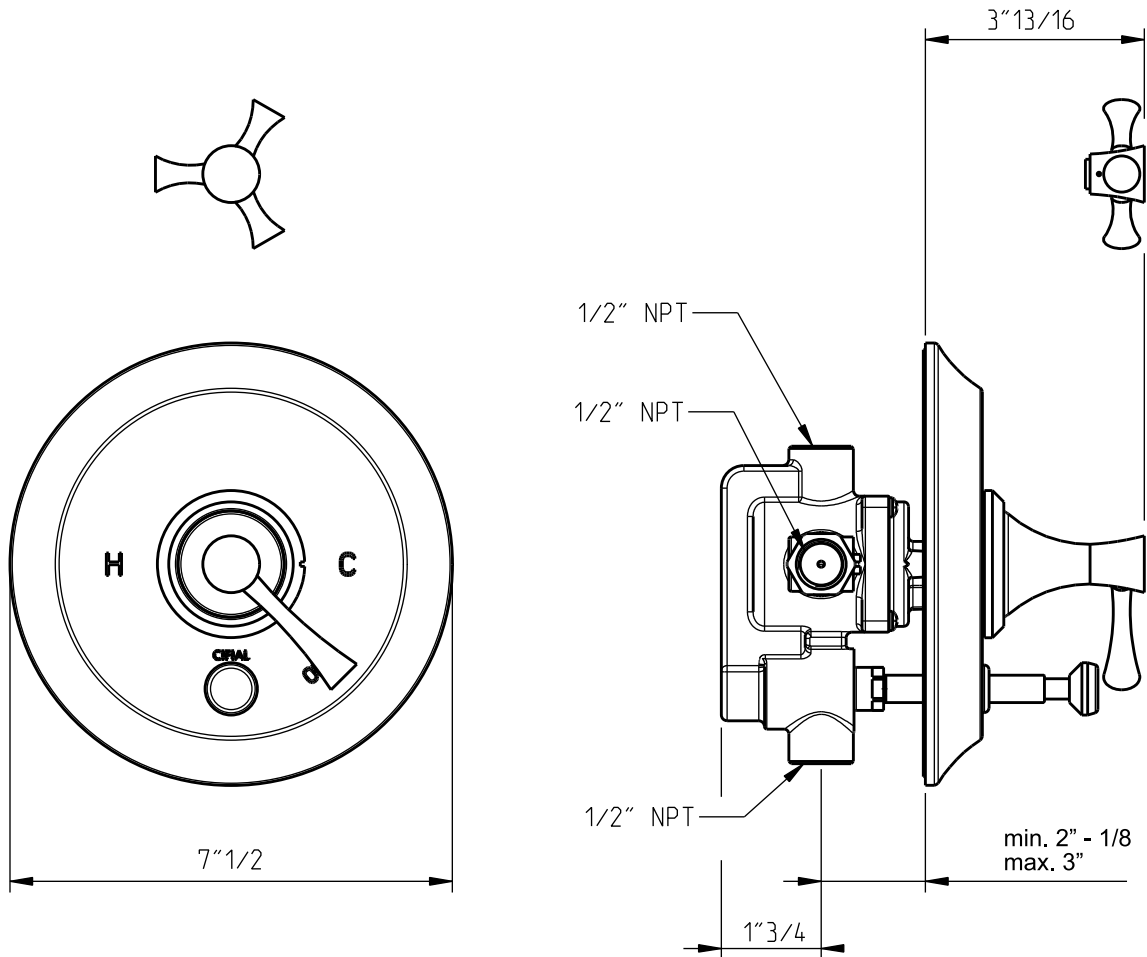


TECHNICAL SPECIFICATIONS

Brookhaven

Pressure balance mixing valve with integral diverter

code | 245 611 xxx
246 611 xxx



Rough: 289 710 999 (sold separately)

5663521
963MW016W06

dimensions inches

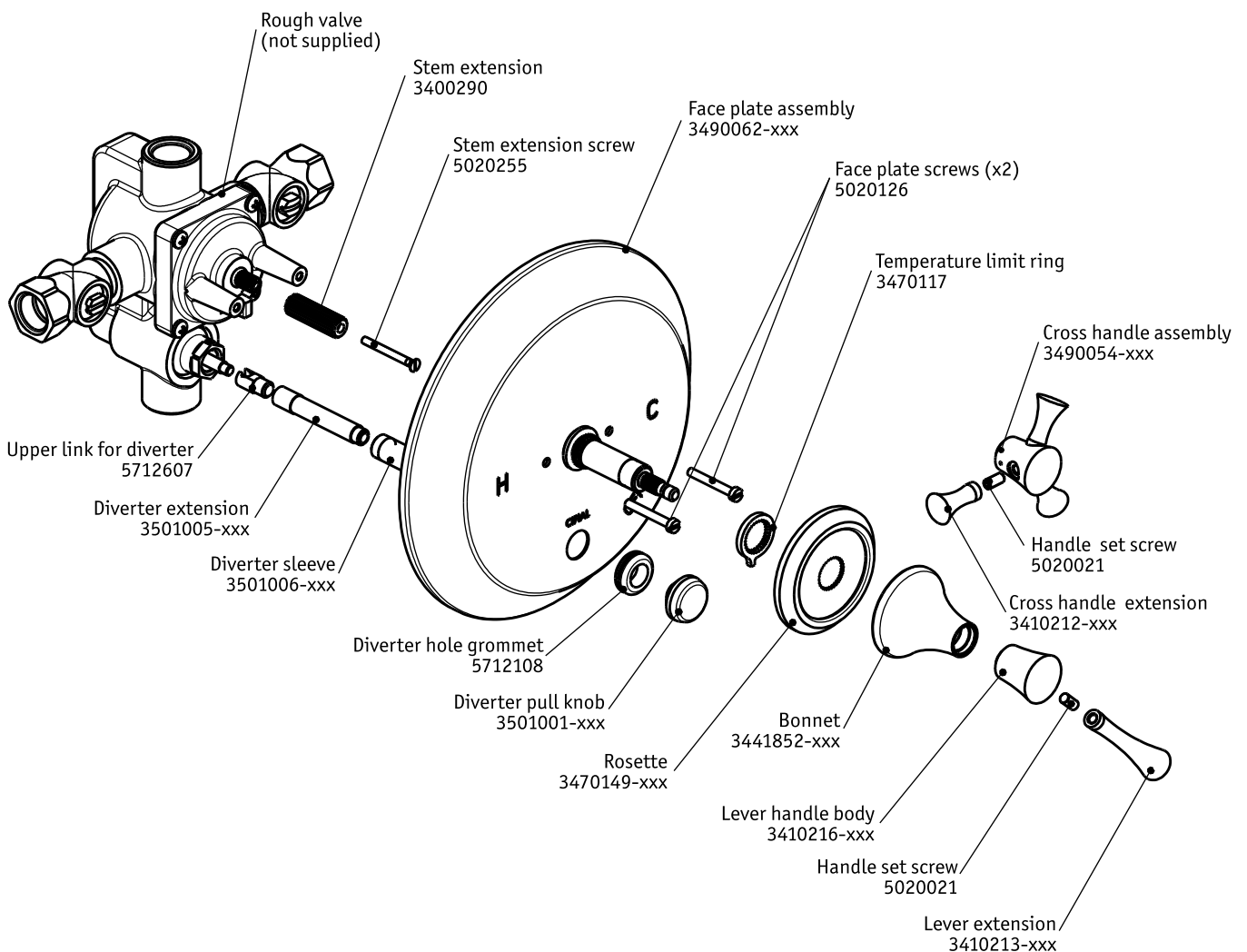
PLUMBING



CIFIAL USA
USA P +1800 5284904 F +1800 5281969 info@cifialusa.com www.cifialusa.com
CIFIAL Torneiras, S.A.
Portugal T +351 256 780 700 F +351 256 780 710 cifial@cifial.pt www.cifial.pt
CIFIALDECOR, S.A.
Espanha T +34 916 110 261 F +34 916 103 694 cifialdecor@infonegocio.com
CIFIAL UK, Ltd.
UK P +44 1933 402 008 F +44 1933 402 063 sales@cifial.co.uk www.cifial.co.uk

Assembly instructions

- 1| Place **stem extension** onto valve stem using **screw**.
- 2| Insert **upper link for diverter / diverter extension** into body valve diverter spindle.
- 3| Thread **diverter sleeve** into **pressure balance rough valve**.
- 4| Slide **face plate assembly** into place and engage **stem extension** using **face plate screws**.
- 5| Set high temperature limit stop by turning handle drive shaft counter clockwise until desired maximum temperature is reached. Place **temperature limit ring** onto handle drive shaft with arm set next to limit stop pin. Turn handle drive shaft clockwise to shut off valve.
- 6| Place **rosette** onto handle drive shaft and align mark with off position. Thread **bonnet** into drive shaft.
- 7| Place **handle body** onto handle drive shaft so that the hole for **lever/cross extension** is in the OFF position (5 o'clock). Tighten with **set screw** and thread **lever/cross extension** onto **set screw** and hand tighten.
- 8| Thread **diverter pull knob** into **diverter extension**.



5663521
983MW016W06

Note: xxx represent different finishes.