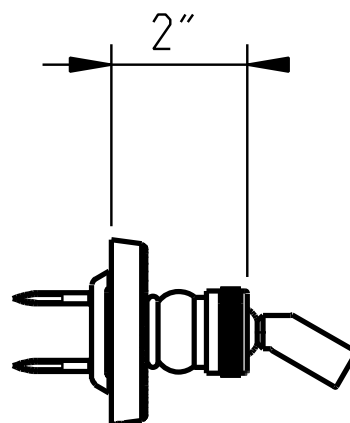
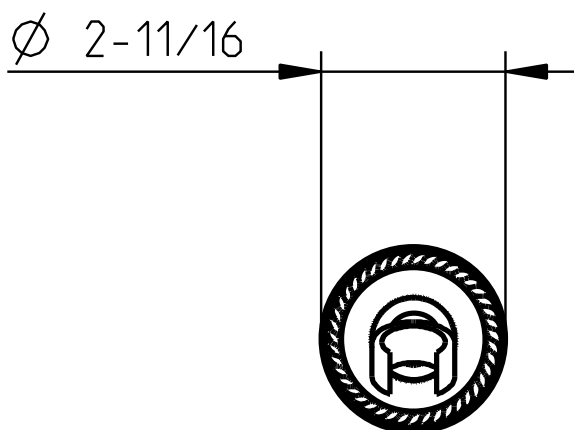


technical specifications



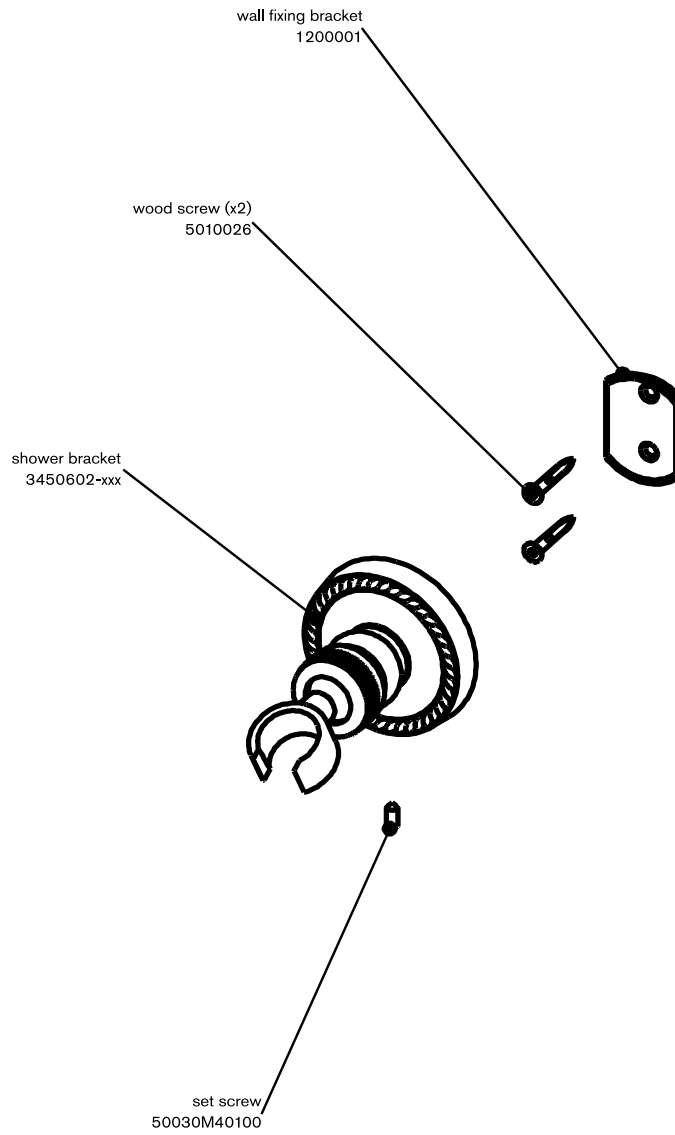
BRUNSWICK

handshower adjustable wall bracket

dimensions inches

code: 256 883 xxx

note: xxx represent different finishes



cifial@cifial.pt www.cifial.pt
cifialdecor@infonegocio.com
sales@cifial.co.uk www.cifial.co.uk