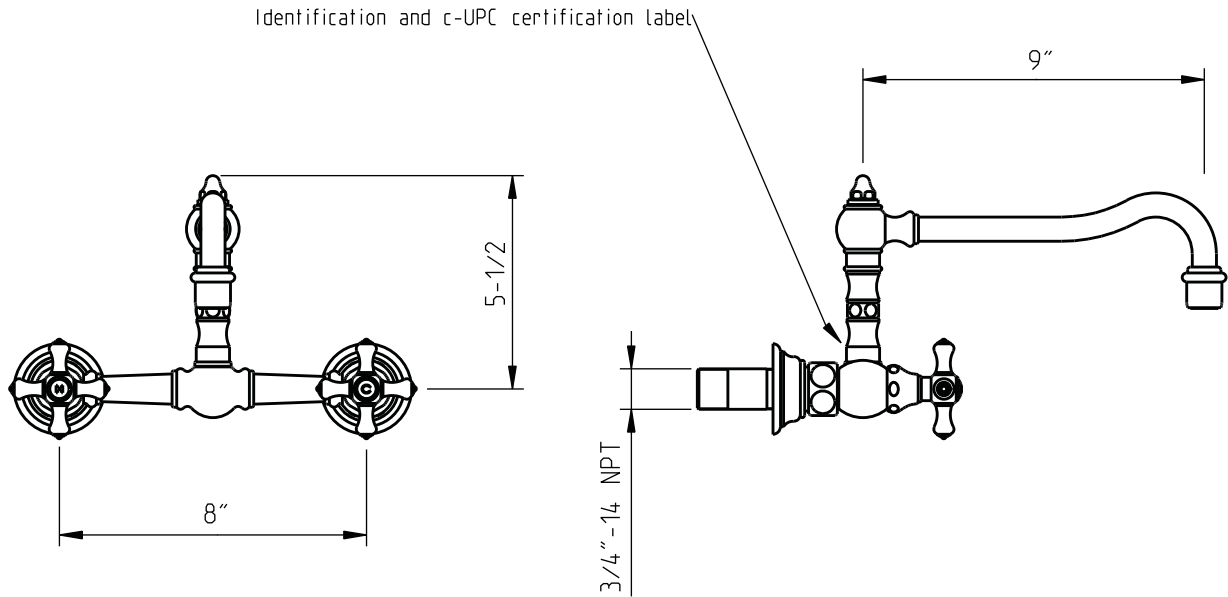


TECHNICAL SPECIFICATIONS

Highlands

Wall mount kitchen with 9" spout

code | 267 260 xxx



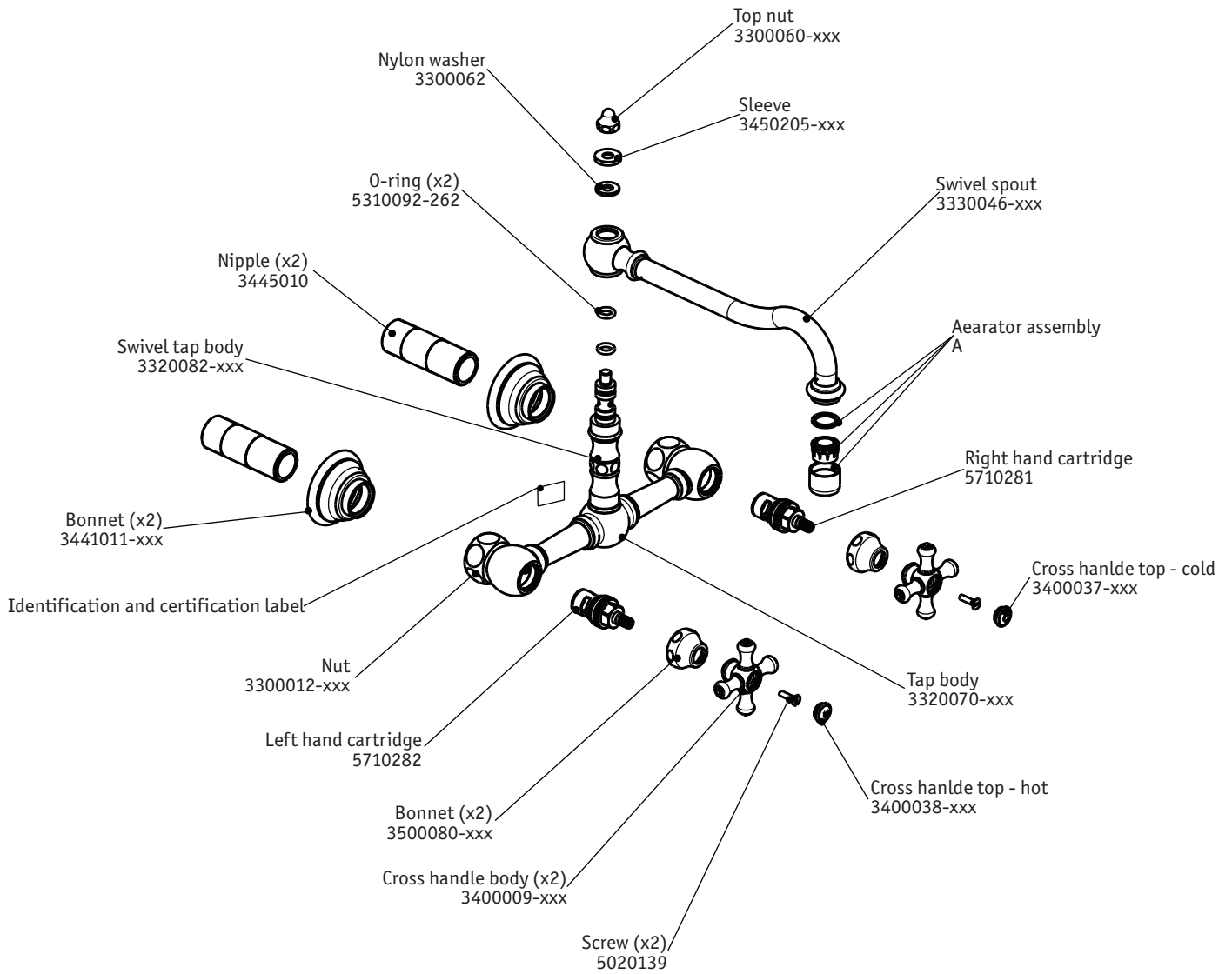
5663305
983ED011W03

dimensions inches

PLUMBING

CIFIAL USA
USA P +1800 5284904 F +1800 5281969 info@cifialusa.com www.cifialusa.com
CIFIAL Torneiras, S.A.
Portugal T +351 256 780 700 F +351 256 780 710 cifial@cifial.pt www.cifial.pt
CIFIALDECOR, S.A.
Espanha T +34 916 110 261 F +34 916 103 694 cifialdecor@infonegocio.com
CIFIAL UK, Ltd.
UK P +44 1933 402 008 F +44 1933 402 063 sales@cifial.co.uk www.cifial.co.uk





5663305
983ED011W03

	625	620	721	W15	X10
A	5713110	3460009-xxx 5C03039 5C02018			

Note: xxx represent different finishes.

Installation instructions:

Rough in:

Step 1: Estimate the finish wall thickness and refer to the rough-in depth chart using the provided 3" nipple.

Step 2: Using the two 3/4" drop ear elbow provided, rough the elbows in at the correct depth from chart (depth B). Make certain that elbows are placed exactly on 8" centers.

Step 3: Thread the nipple into the elbow* using appropriate thread sealant. If trim is to be installed at a later time, place the plastic cap over the end of the nipple to protect threads.

Trim:

Step 4: Thread escutcheons onto nipple and secure flush to finish wall.

Step 5: Install faucet by threading finished union nut onto nipple. Draw faucet firmly to wall making sure the nipple compresses gasket seal within the union nut.

Step 6: Remove aerator and flush line of any debris.

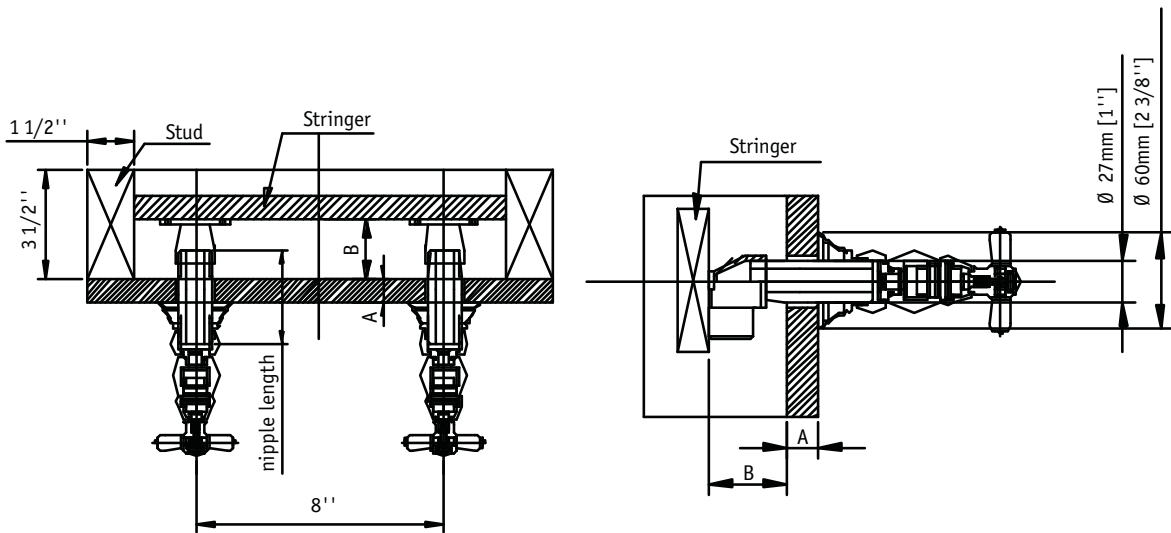
Step 7: Re-install aerator for operation.

Note:

Qty. 2-3" brass nipples included in box.

Qty. 2-3/4" FIPx3/4" SWT 90° drop ear elbows included in box.

* Be sure to insert tapered end of nipple into drop elbow as the opposite end has straight threads needed to affix trim.



A - Finished Wall Thickness		B - Rough-in depth		
From	To	Provided Nipple	Alternate nipples available upon request	
		3" nipple [#3445010]	2 1/2" nipple [#34400117]	3 1/2" nipple [#34400118]
1/8"	3/8"	2 1/2"	2"	3"
3/8"	5/8"	2 1/4"	1 3/4"	2 3/4"
5/8"	7/8"	2"	x	2 1/2"
7/8"	1 1/8"	1 3/4"	x	2 1/4"