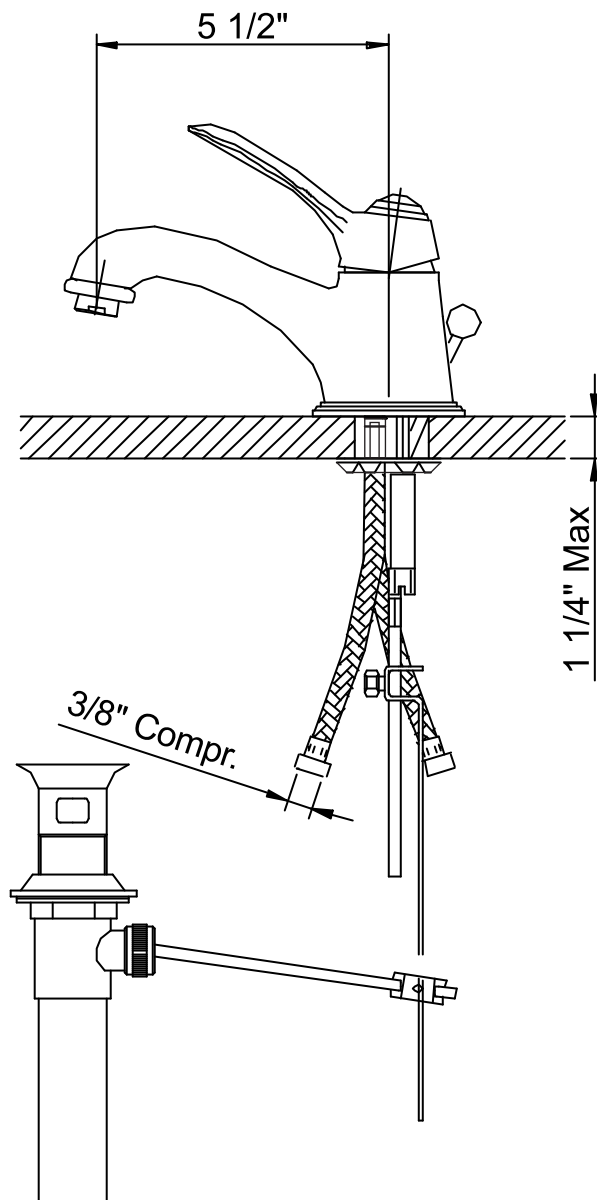


TECHNICAL SPECIFICATIONS

Asbury

Single hand lavatory

code | 278 100 xxx



5663240
9830D010W01

dimensions inches

PLUMBING



CIFIAL USA
USA P +1800 5284904 F +1800 5281969 info@cifialusa.com www.cifialusa.com
CIFIAL Torneiras, S.A.
Portugal T +351 256 780 700 F +351 256 780 710 cifial@cifial.pt www.cifial.pt
CIFIALDECOR, S.A.
Espanha T +34 916 110 261 F +34 916 103 694 cifialdecor@infonegocio.com
CIFIAL UK, Ltd.
UK P +44 1933 402 008 F +44 1933 402 063 sales@cifial.co.uk www.cifial.co.uk

Service Parts

1	Complete handle button
1.1	Plain Button
1.2	Button o-ring 10.1x1.6
2	Handle screw M4x16
3	Handle ring
4	Handle
5	Cartridge finished cover
6	Cartridge retaining nut
7	35mm Cartridge
8	Spout body
9	Mouth piece
10	Aerator M24x1
11	Complete Lift rod
12	Mt. Hardware kit
12.1	Mt. post
12.2	Half moon mt. washer
12.3	Mt. Post nut
13	Strongflex M10x1x18xH9/16"-24 UNEFx500
14	Base trim ring
15	Pop up knob
16	Drain system

1. Thread Mt. Post [12.1] into base of faucet
2. Thread hoses [13] into base of faucet
3. Insert hoses through base trim ring [14] into sink hole
4. Insert lift rod [11] and ensure smooth operation
5. Secure faucet to sink by installing half moon mt. Washer [12.2] and mt. Post nut [12.3] (use a large slotted screw driver or 1/2" wrench)
6. Install drain system [16] using provided lift rod extension [11]

