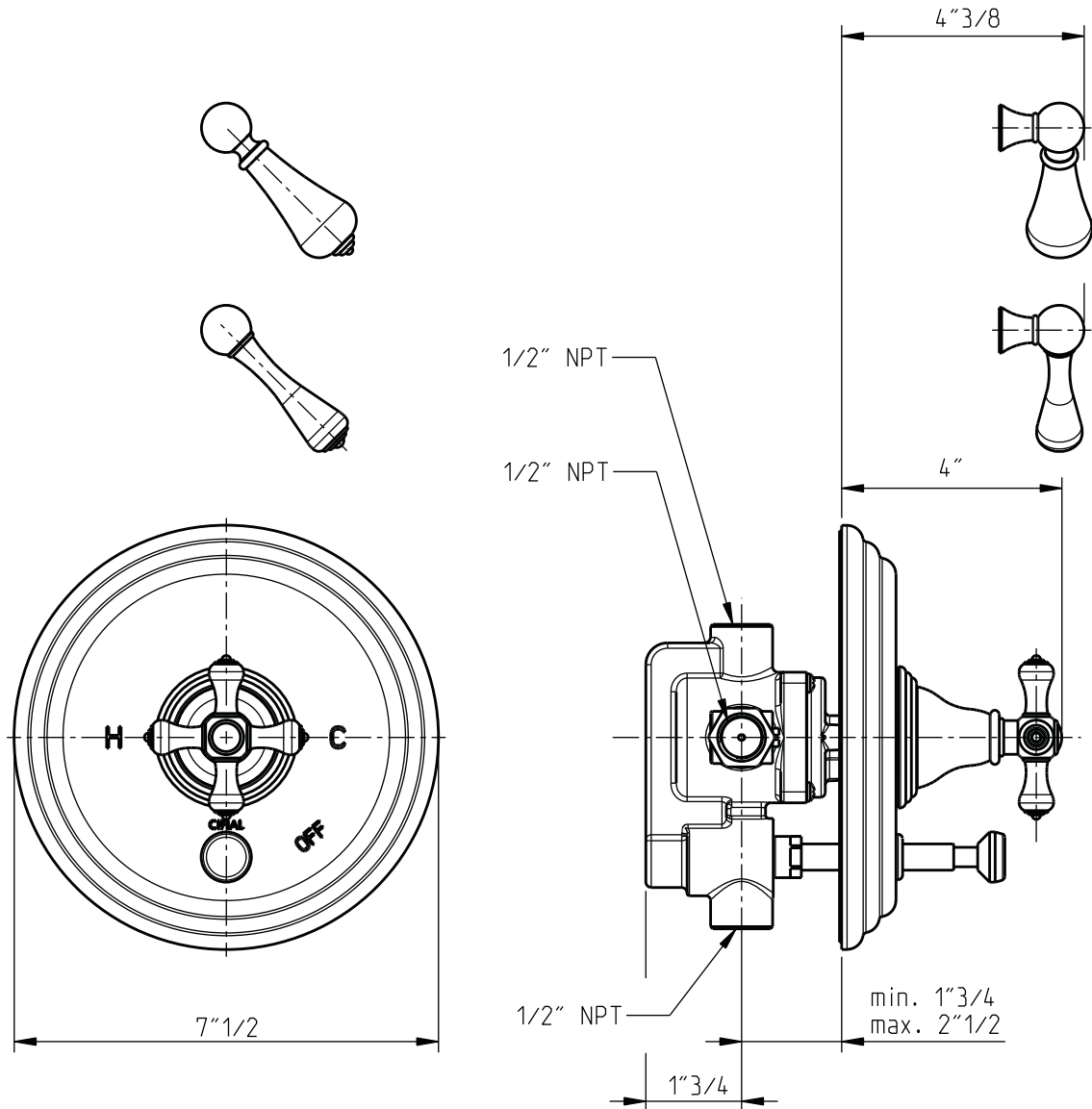


# TECHNICAL SPECIFICATIONS

## Asbury

Pressure balance mixing valve with integral diverter

code | 272 611 xxx  
 275 611 xxx  
 277 611 xxx  
 278 611 xxx



Rough: 289 710 999 (sold separately)

5663518  
 9830D023W04

dimensions inches

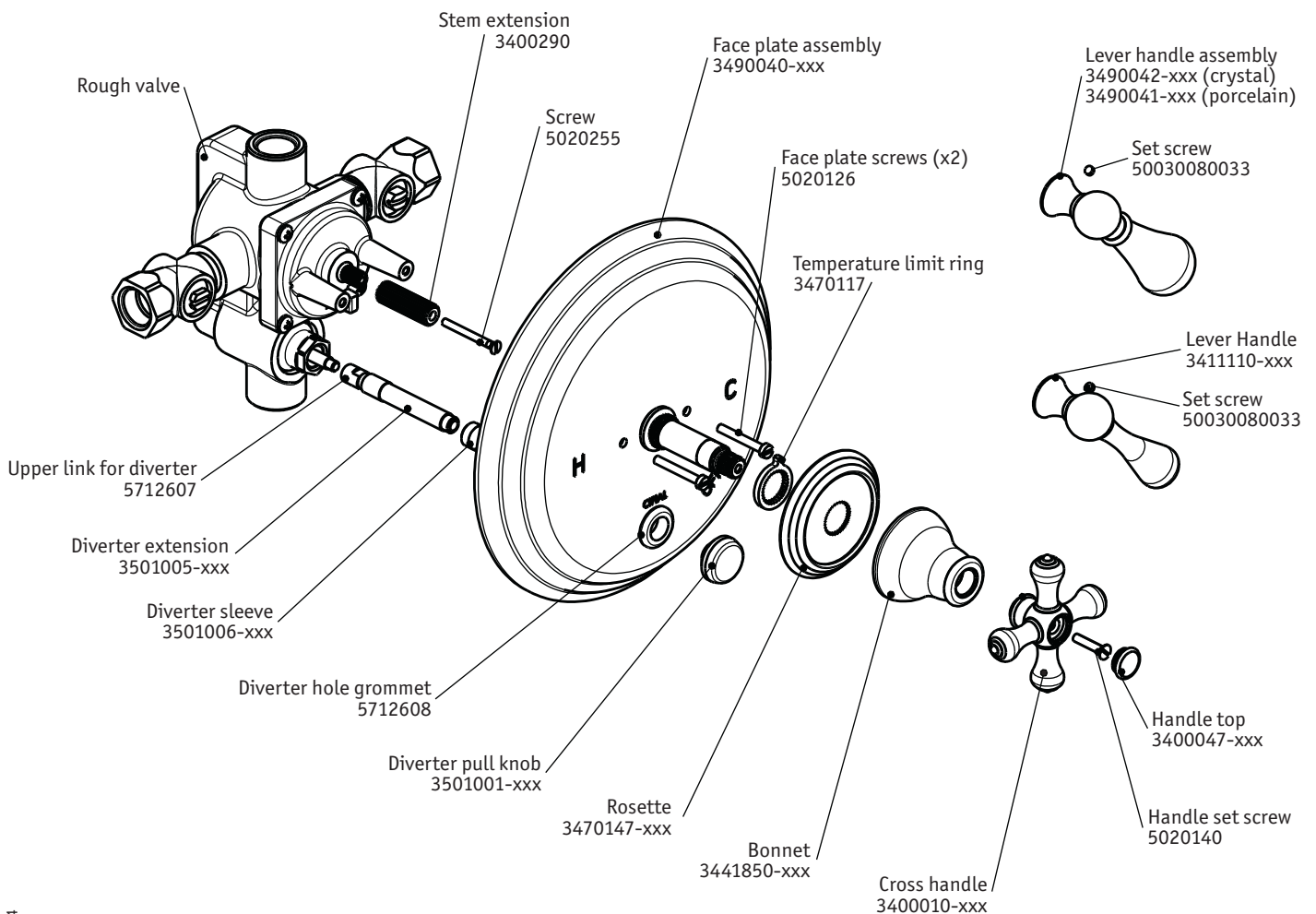
## PLUMBING

**CIFIAL USA**  
 USA P +1800 5284904 F +1800 5281969 info@cifialusa.com www.cifialusa.com  
**CIFIAL Torneiras, S.A.**  
 Portugal T +351 256 780 700 F +351 256 780 710 cifial@cifial.pt www.cifial.pt  
**CIFIALDECOR, S.A.**  
 Espanha T +34 916 110 261 F +34 916 103 694 cifialdecor@infonegocio.com  
**CIFIAL UK, Ltd.**  
 UK P +44 1933 402 008 F +44 1933 402 063 sales@cifial.co.uk www.cifial.co.uk



## Assembly instructions

- 1 | Place **stem extension** onto valve stem using **screw**.
- 2 | Slide **face plate** into place and engage **stem extension** using **face plate screws**.
- 3 | Set high temperature limit stop by turning handle drive shaft counter clockwise until desired maximum temperature is reached. Place **temperature limit ring** onto handle drive shaft with arm set next to limit stop pin. Turn handle drive shaft clockwise to shut off valve.
- 4 | Place **rosette** onto handle drive shaft and align mark with off position. Thread **bonnet** into drive shaft. Tight **cross handle** with **screw** and place **handle top**.
- 5 | Assembly according to sequence:
  - a) thread **diverter extension** into body valve diverter spindle;
  - b) thread **diverter sleeve** into **pressure balance rough valve with diverter**;
  - c) thread **diverter pull knob** into **diverter extension**.



5663518  
9830D023W04

- Notes:** 1) Lever handle and crystal or porcelain lever handle should be aligned with off position and tighten with set screw.  
2) xxx represent different finishes.