

### The Butler Package

We've made it easy to choose the right Mr.Steam® system for your lifestyle.

The Mr.Steam Butler package combines some of the best Mr.Steam controls and accessories. Mr.Steam offers two Butler packages, depending on the steam generator model selected. All Butler packages are available in designer finishes, with a choice of square or round styles for the solid brass eTEMPO/Plus® control.

#### BUTLER PACKAGE 1

Suitable for models MS90E through MS SUPER 3E steam generators:

- (1) eTEMPO/Plus® control
- (1) AromaSteam™ Steamhead
- (1) AutoFlush® System
- (1) Steam Genie™ Control
- (1) Drain Pan

#### BUTLER PACKAGE 2

Suitable for models MS SUPER 4E through MS SUPER 6E steam generators:

- (1) eTEMPO/Plus® control
- (2) AromaSteam™ Steamhead
- (2) AutoFlush® System
- (1) Steam Genie™ Control
- (2) Drain Pan

**NOTE: FOR ILLUSTRATIVE PURPOSES ONLY.**

**IMPORTANT: See Mr.Steam® Installation, Operation and Maintenance Manual, PUR 101289, for details.**

Click here to download this manual:

<http://mrsteam.com/products/technical-downloads.html>

### FROM BATHROOM TO SPA



### eTempo/Plus® Control

#### BOX CONTENTS:

- eTEMPO/Plus® Control
- Control Cable (30 ft.)
- Steam head
- Tube of Silicone Sealant
- Owner's Manual

eTEMPO/Plus® surface-mounts inside the steam/shower enclosure and operates with an available wireless eTEMPO/Remote® Control and available eTEMPO/Start®. All eTEMPO/Plus Controls are standard with solid brass covers in round and square designs. Available in the most popular designer finishes listed below.

Mr.Steam combines state-of-the-art technology, and advanced display with beautiful design to create our new In-Shower eTEMPO Control Series.

#### Control features for the eTEMPO/Plus include:

- Solid brass decorative cover with choice of square or round styles in designer finishes
- ChromaSteam™ & AromaSteam™ activation at your fingertips, with LED indication
- Standard with real time clock display
- Includes AromaSteam steamhead in matching finish
- Compatible with eTEMPO/Start & eTEMPO/Remote controls
- Digital display with adjustable time and temperature settings as well as two personalized steam session memory settings for a customized user experience
- State-of-the-Art microprocessor for consistent temperature mapping
- Ergonomic easy-to-read, soft-touch keypad with On/Off modes
- Low voltage operation
- Suitable for all Mr. Steam steambath models

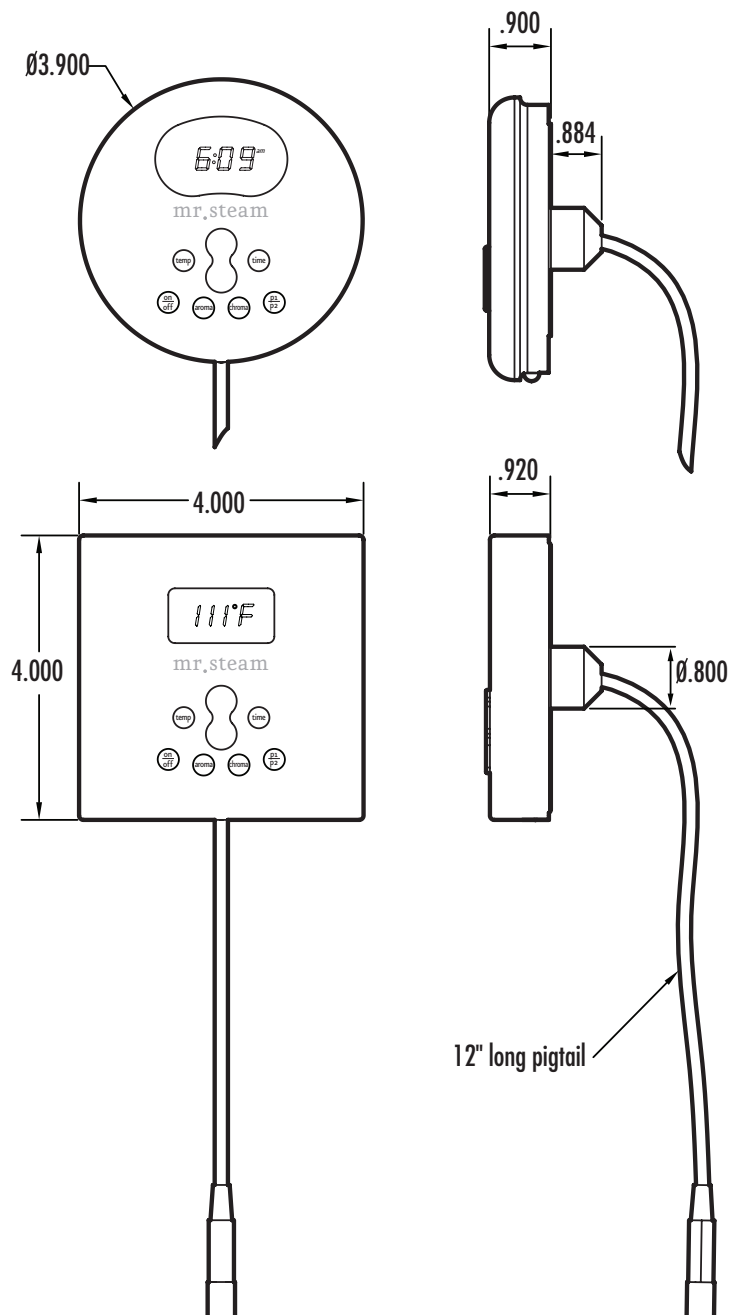
The eTEMPO/Plus control is designed to be installed inside or outside the steam room but is primarily installed inside the steam room. If the control is installed inside the steam room the control must be located:

- 4-5 feet above the floor
- The control features an integral temperature sensor. Locate the control in a location representative of the desired steambathing temperatures. Do not locate the control above or near the steam head or direct steam emissions.
- on a vertical wall

The control cable length is 30 feet. Insure that the control and/or steam generator are located accordingly. Contact a Mr.Steam technical service representative if a longer cable is required. Contact Mr.Steam for optional 60 ft. cable, PN 103990-60.

If the control is installed outside the steam room a Remote Temperature Probe Part Number MST5 must be installed inside the steam room.

eTEMPO/Plus Controls are available in the following designer finishes: Polished Chrome, Polished Nickel, Brushed Nickel, Satin Nickel, Polished Gold, Satin Gold, Polished Brass, Antque Brass, Oil Rubbed Bronze and Pewter.



**NOTE: FOR ILLUSTRATIVE PURPOSES ONLY.**

**IMPORTANT: See Mr.Steam® Installation, Operation and Maintenance Manual, PUR 101289, for details.**

**Click here to download this manual:**

<http://mrsteam.com/products/technical-downloads.html>

### Steamhead

MS 103937

For remote starting of Mr. Steam® steam generator and pre-heating of steam/shower from outside the steam room from almost any location within the home. Uses no additional electrical energy, provides remote start-up at the touch of a finger.

### INSTALLING THE ROUND & SQUARE AROMASTEAM STEAMHEAD

#### Steam Head Installation (1/2" NPT)

**IMPORTANT:** Do not disassemble steamhead. Mr.Steam's steamhead is shipped fully assembled and requires no additional assembly.

**CAUTION** Because the steam head and direct steam emissions are very hot, locate the steam head where incidental contact by bather with the steam head or direct steam emission cannot occur.

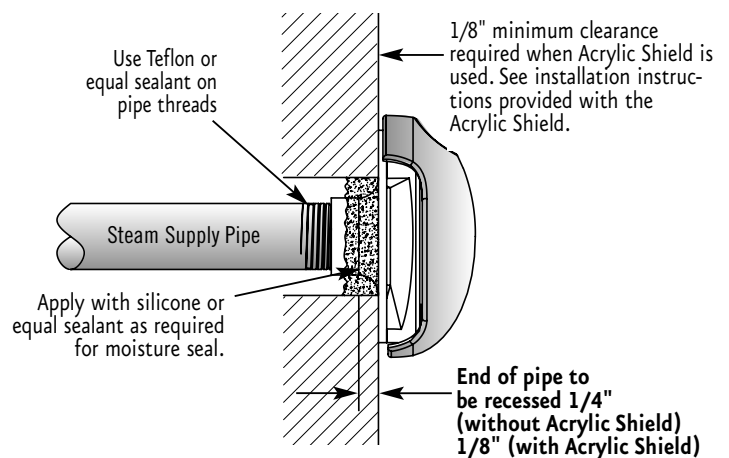
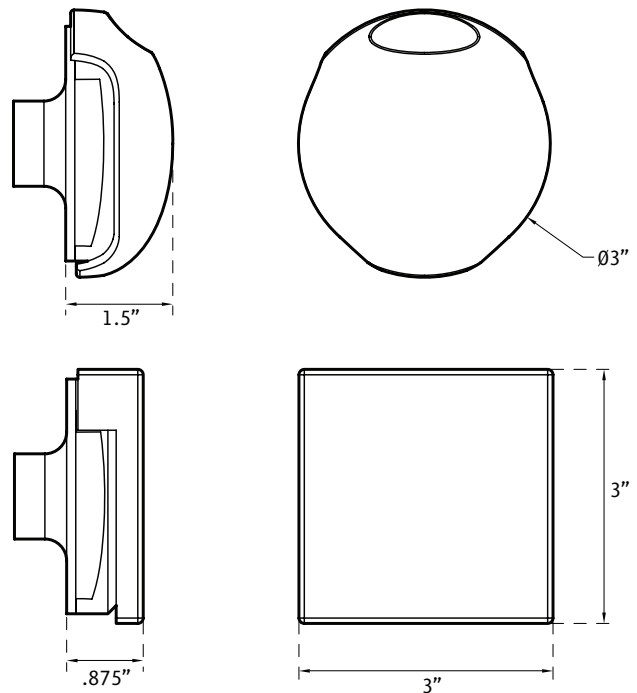
**NOTE:** A 1.5" clearance hole around the steam pipe is needed to mount the steamhead.

Locate steam head 6-12 inches above floor, except for:

- Tub/shower enclosures, install 6 inches above tub top edge.
- For enclosures with acrylic or other non-heat resistant flooring install Acrylic Shield Part Number MS-103938.

**IMPORTANT NOTE:** To preserve steam head finish, do not use wrench or other tools to tighten. DO NOT use abrasive cleansers or chemicals. Use only water with mild soap and a non-abrasive sponge.

**CAUTION** Consult with supplier of acrylic, fiberglass and other non-heat resistant enclosures for recommended steamhead location. Use Acrylic Shield PN MS-103938. See instructions provided with steam shield.



**NOTE: FOR ILLUSTRATIVE PURPOSES ONLY.**

**IMPORTANT:** See Mr.Steam® Installation, Operation and Maintenance Manual, PUR 101289, for details.

Click here to download this manual:

<http://mrsteam.com/products/technical-downloads.html>

### AutoFlush®

#### Box Contents

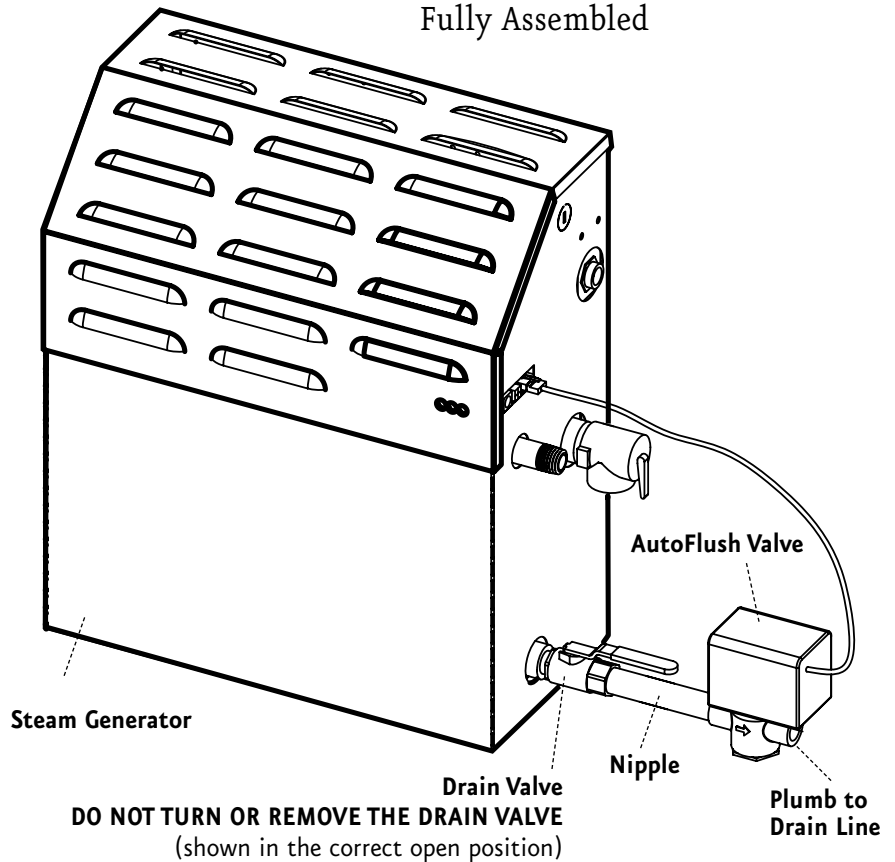
- AutoFlush Valve with Cord
- Installation instructions

#### Operation

The optional AutoFlush System feature automatically drains the Mr.Steam® system following each use. A time delay allows the water to cool down (about two hours) before it drains by gravity for a safe and gentle operation.

**NOTE:** If the Express Steam® option has been installed, the AutoFlush will drain for ten minutes then refill with fresh water to begin the pre-heat cycle.

AutoFlush Shown  
Fully Assembled



Our exclusive AutoFlush® automatically and electronically drains the system, providing CleanSteam... Every Time® and introduces fresh water.

**NOTE: FOR ILLUSTRATIVE PURPOSES ONLY.**

**IMPORTANT:** See Mr.Steam® Installation, Operation and Maintenance Manual, PUR 101289, for details.

Click here to download this manual:

<http://mrsteam.com/products/technical-downloads.html>

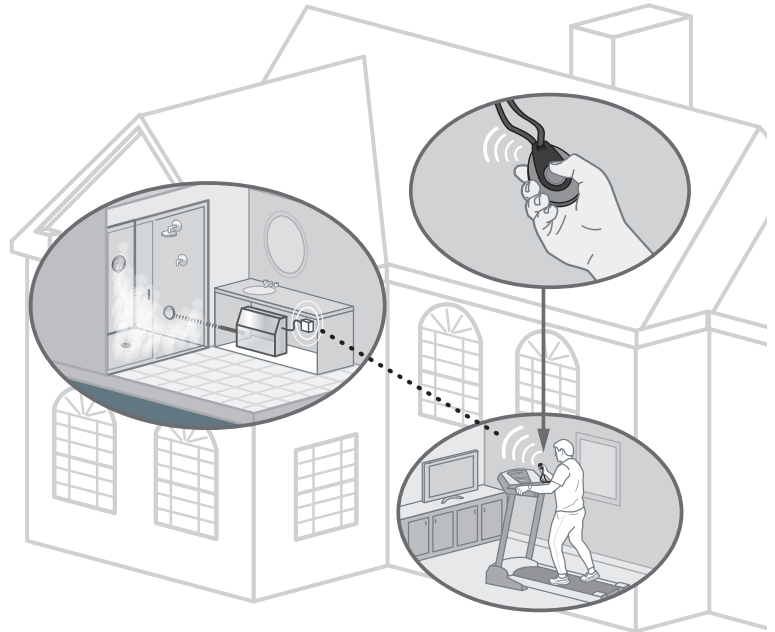
### Steam Genie™

#### BOX CONTENT

- Steam Genie
- Interface Module
- Lanyard
- 5 ft. Interface Module Connection Cable
- 2 Interface Module mounting Screws
- Installation and Operation Instructions

#### STEAM GENIE INTERFACE MODULE INSTALLATION

- Connect the STEAM GENIE INTERFACE MODULE to the generator by plugging in the provided 5 foot cable to the STEAM GENIE INTERFACE MODULE and the Steam Genie connector on the side of the generator as shown.
- Mount the STEAM GENIE INTERFACE MODULE in a dry, indoor location. For maximum range, the Steam Genie Interface Module should be mounted as high as practical and away from metal that could effect the radio signal. Securing it to a nearby wood stud is ideal. The antenna should be pointing upwards.



#### STEAM GENIE OPERATION

- When the Steam Genie FOB light is off, press the button once and the Steam Genie FOB light indicates if the steam is on or off. When you press the button, the light will momentarily twinkle between red and green. A red light indicates that the steam is off and a green light indicates that the steam is on.
- To turn the steam on or off, press the ON/OFF button again while the light is illuminated. After a short delay the light will change from red to green (steam on) or green to red (steam off).

**NOTE: FOR ILLUSTRATIVE PURPOSES ONLY.**

**IMPORTANT: See Mr.Steam® Steam Genie Installation, Operation and Maintenance Manual, PUR 100449, for details.**

**Click here to download this manual:**

<http://mrsteam.com/products/technical-downloads.html>

### Drain Pan

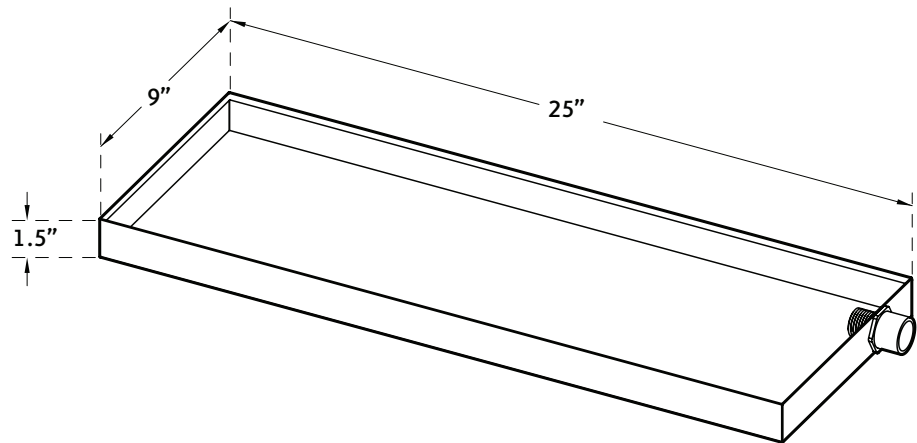
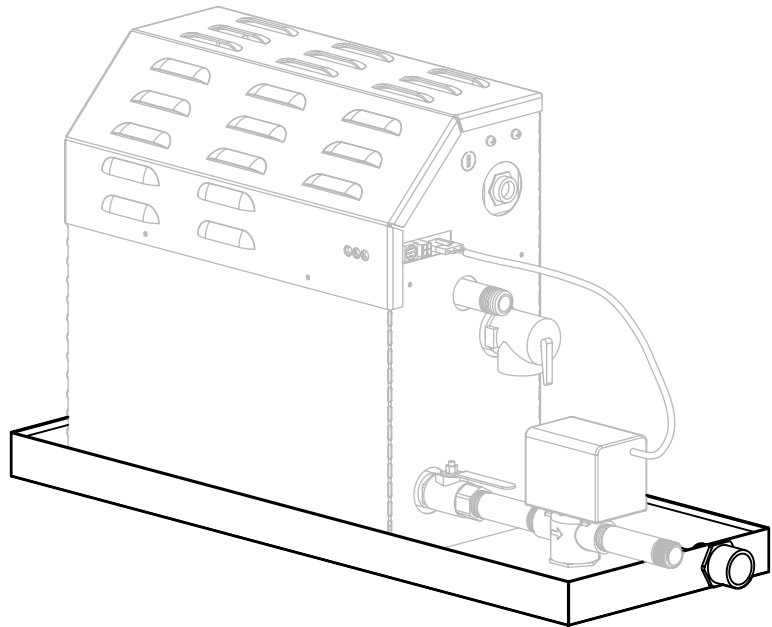
MS 103867

Mr. Steam strongly recommends the use of a drain pan in the unlikely event of a plumbing leak.

Locate the drain pan on a solid level surface and place the steam generator inside the drain pan. Insure the steam generator is level.

All plumbing shall be performed by a qualified licensed plumber and in accordance with applicable national and local codes. Check local plumbing code for receptor, trap and vent requirements. Drain pans drain by gravity.

The drain pan is equipped with an integral 3/4" NPT fitting.



**NOTE: FOR ILLUSTRATIVE PURPOSES ONLY.**

**IMPORTANT: See Mr.Steam® Installation, Operation and Maintenance Manual, PUR 101289, for details.**

Click here to download this manual:

<http://mrsteam.com/products/technical-downloads.html>