

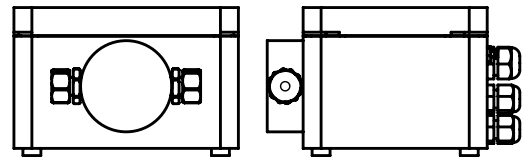
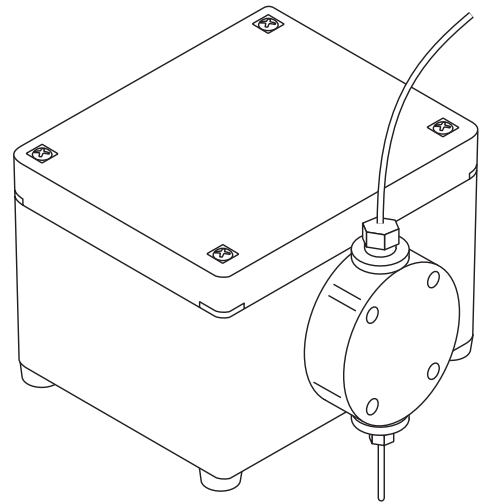
CU AromaFlo®

Fragrance Metering Pump for Commercial Steam Rooms

- Do not use with water soluble fragrance or fragrance containing emulsifiers or aldehydes. AromaFlo® pump damage may result.
- MrSteam® oils are approved for operation with this pump.
- The use of any oils other than Mr.Steam oils may introduce excessive concentration of oil into the steam room, resulting in a health hazard.
- Vapors may cause drowsiness and dizziness. Keep out of the reach of children. In case of contact with eyes, rinse immediately with plenty of water and seek medical advice. If swallowed, rinse mouth with water (only if the person is conscious), seek medical advice immediately
- Highly Flammable. Keep away from sources of ignition.
- No smoking. Keep container tightly closed & in a well-ventilated place.
- This material & its container must be disposed of as hazardous waste.
- Not for use in acrylic or fiberglass rooms.

BOX CONTENT

- Metering Pump
- Shipping Hose
- 6 ft Pressure Hose
- 2 ft Suction Hose with Filter
- 1/2 inch NPT Atomizing Nozzle
- Injector with Injection Line
- Scent Container Cover
- Receptacle and Faceplate
- Warning Sign
- Installation & Operation Manual



TECHNICAL SPECIFICATIONS

Dimensions	7" L x 6.5" w x 4.5" H
Weight	5 lbs
EN 60335, UL-CSA	
Motor Voltage	120VAC, 50/60 Hz
Total Power Consumption	12W

Please refer to Mr.Steam AromaFlo Installation and Operation Manual, PUR 100193, for complete installation details.

LOCATION AND INSTALLATION

The AromaFlo pump is qualified for use with Mr.Steam commercial steam generators. The use with other brand equipment must be qualified by installation owner/ installer. For use with commercial steam rooms only. Not for use in residential installations.

1. Mr.Steam AromaFlo Pumps are designed and intended for indoor use only and are to be located indoors in a dry clean location and not subject to moisture, condensation or similar high humidity environments.
2. Do not install AromaFlo Pumps outdoors.
3. Do not install AromaFlo Pumps in a location where water could freeze.
4. Do not install AromaFlo Pumps near flammable or corrosive materials and chemicals. Installation in areas having high concentrations of chlorine (such as pool equipment room) should be avoided.
5. Install AromaFlo Pump on a solid and level surface.
6. Provide access to AromaFlo Pump for servicing.

7. The unit should not be installed in areas accessible to the general public

A LOCKED UTILITY ROOM IS STRONGLY RECOMMENDED.

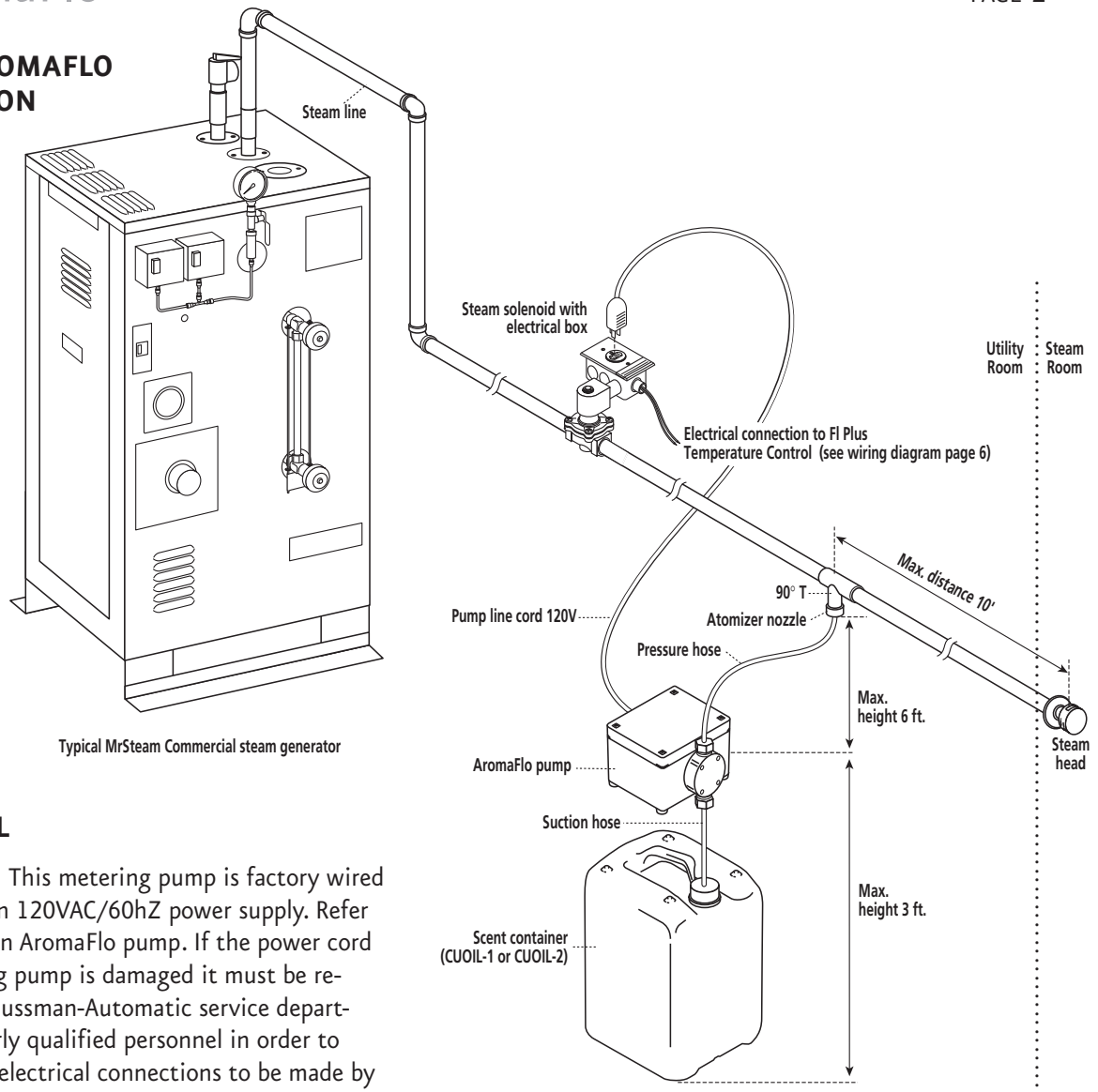
8. Height difference between metering pump and 90 degree T is to be held to a maximum 6 ft.
9. Place scent container below metering pump. Height difference between metering pump and scent container is to be no greater than a maximum of 3 ft.

NOTES:

- Do not install the metering pump directly below or above the steam generator where it is subject to heat.
- Distance between metering pump and heat source (e.g. steam generator, heating system) minimum 3 ft. If this distance of minimum 3 ft cannot be maintained, install a radiation plate or heat insulation between the heat source and metering pump.
- Ambient temperature at pump should not exceed 90° F.

CU AromaFlo®

TYPICAL AROMAFLO INSTALLATION



Typical MrSteam Commercial steam generator

ELECTRICAL

CAUTION This metering pump is factory wired and operates on 120VAC/60Hz power supply. Refer to nameplate on AromaFlo pump. If the power cord of the metering pump is damaged it must be replaced by the Sussman-Automatic service department or similarly qualified personnel in order to avoid risks. All electrical connections to be made by a licensed, qualified electrician. Disconnect all power to the steam generator before making power connections.

CAUTION To avoid possible electric shock, the AromaFlo pump must be suitably grounded according to National Electric and local Codes. Disconnect all power supplies before proceeding. Such wiring should be done by a licensed electrician. Refer to PUR 100193 for complete wiring diagram and instructions

NOTE: FOR ILLUSTRATIVE PURPOSES ONLY.

OIL DELIVERY FEATURES

The metering pump has been factory set to deliver a suitable amount of aromatic oil into a typical sized steam room. PLEASE CONTACT THE MRSTEAM TECHNICAL SERVICE DEPARTMENT BEFORE CHANGING THIS SETTING. Increasing the settings may introduce excessive concentration of oil into the steam room, resulting in a health hazard. Refer to PUR 100193 for complete programming instructions.

IMPORTANT: See Mr.Steam® AromaFlo Installation, Operation and Maintenance Manual, PUR 100193 for details.

Click here to download this manual:

<http://mrsteam.com/products/technical-downloads.html>