

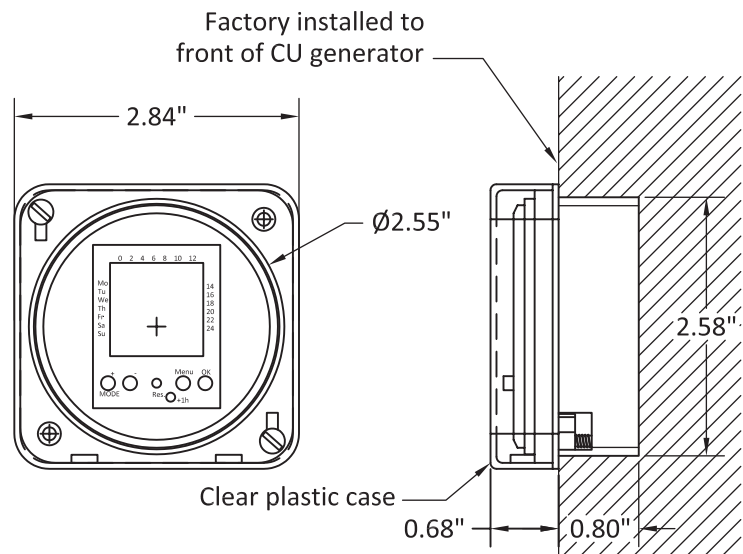
## Digital Blowdown Timer

PN 103662

- 24 program digital timer option for the Automatic Blowdown System. Factory installed to front of generator.
- .93"x .93" digital display
- Override/Automatic feature available

### ELECTRICAL SPECIFICATIONS

- Input Voltage: 120 VAC
- Normally Closed Contact:
  - 16A, 277V AC resistive
  - 8A, 24V DC, 360 VA 120V ac Pilot Duty
- Normally Open Contact:
  - 16A, 277V AC resistive, 8A/24V DC
  - 12A/120V AC, 8A/240V AC ballast
  - 1000W/240V AC 600W/120V AC Tungsten
  - 720 VA/ 240V AC, 360VA/ 120V AC Pilot Duty



See PUR 100456DIG for full programming instructions

The Digital Blowdown Timer meets **cULus** requirements.

**NOTE: FOR ILLUSTRATIVE PURPOSES ONLY.**

**IMPORTANT:** See Mr.Steam® CU Alarm Installation, Operation and Maintenance Manual, PUR 100456DIG for details.

Click here to download this manual: <http://mrsteam.com/products/technical-downloads.html>