

IN-WALL FITTINGS

- **INSTALLATION SHOULD BE IN ACCORDANCE WITH ACCEPTED PLUMBING PRACTICES**
- **FLUSH ALL PIPING THOROUGHLY BEFORE INSTALLATION**
- **BEFORE INSTALLING SEE NOTES ON ROUGHING-IN**

GENERAL

FIGURE (1) ILLUSTRATES TYPICAL COMPLETE CHICAGO FAUCET IN-WALL FITTING, ALL OF WHICH USE SIMILAR IN-WALL CONTROL VALVES. VALVES WITH UNIONS ARE THREADED TOP AND BOTTOM AND CAN BE USED FOR TOP INLETS BY SWITCHING PLUG AND UNIONS AS NECESSARY. (ITEMS 4, 13 AND 14) ALL FITTINGS ARE SHIPPED ARRANGED FOR BOTTOM SUPPLIES.

VALVES CAN BE USED FOR BY-PASS INSTALLATION BY REMOVING PLUG. (ITEM 4)

FOR TOP SUPPLIES, PLUGS (4) SHOULD BE MOVED FROM TOP TO BOTTOM OF VALVES. **CAUTION** --- FITTINGS SHOULD NEVER BE INVERTED. IN PARTICULAR, TWO VALVE TUB/SHOWER FITTINGS ARE DESIGNED WITH AN INTERNAL ORIFICE, 1/2" CONNECTION TO SHOWER AND 3/4" TO TUB AND CAN NOT BE INVERTED. IN ADDITION, ALL FITTINGS WITH LEVER HANDLES HAVE LEFT HAND (HOT) AND RIGHT HAND (COLD) UNITS. THREE VALVE TUB/SHOWER INCLUDES A DIVERTER VALVE WHICH SHOULD NOT BE INVERTED.

ROUGHING-IN

MAXIMUM DISTANCE FROM CENTERLINE OF INLETS WILL VARY WITH ESCUTCHEONS TRIM RINGS SELECTED. RECOMMENDED DEPTH IS 1 3/4" FOR SHALLOW ESCUTCHEON RINGS AND 2 3/4" FOR DEEP RINGS. (FIGURES 1 AND 2)

IN-WALL INSTALLATION

(1) VALVES (FIGURE 3) MANUFACTURED AFTER OCTOBER, 1988 UTILIZE A FINISHED SLEEVE (ITEM A) OVER THE BODY (ITEM B). ALL VALVES ARE ASSEMBLED AND TESTED AT THE FACTORY. THERE IS NO NEED TO REMOVE THE UNIT (ITEM C) DURING THE INSTALLATION AS THE TRIM ESCUTCHEON (ITEM D) IS DESIGNED TO PASS OVER THE CAP NUT. (ITEM E)

(2) PRESSURE TEST ALL JOINTS FOR LEAKAGE PRIOR TO CLOSING IN WALL.

(3) CARDBOARD SLEEVE (ITEM F) SHOULD BE LEFT IN PLACE TO PROTECT SLEEVE FINISH UNTIL TRIM IS TO BE INSTALLED.

(4) SLEEVE (ITEM A) USES INTERNAL O-RING (ITEM G) SANDWICHED TO VALVE BODY FOR RETENTION.

(5) WHEN INSTALLING EXCUTCHEONS, IT IS RECOMMENDED THAT PLUMBERS PUTTY BE USED TO FILL CAVITY IN BACK OF ESCUTCHEON TO SEAL ESCUTCHEONS TO THE WALL. USE OF TUB SEALANT IS NOT RECOMMENDED ON EXPOSED SURFACES OF "DECORATIVE" GOLD OR COATED FINISHES.

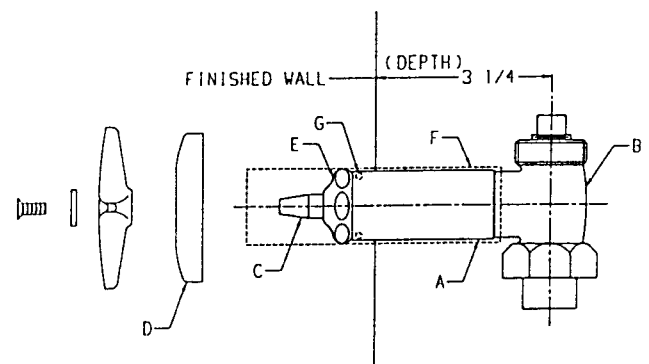


FIGURE (1) TYPICAL TWO VALVE IN-WALL FITTING WITH SHALLOW ESCUTCHEON

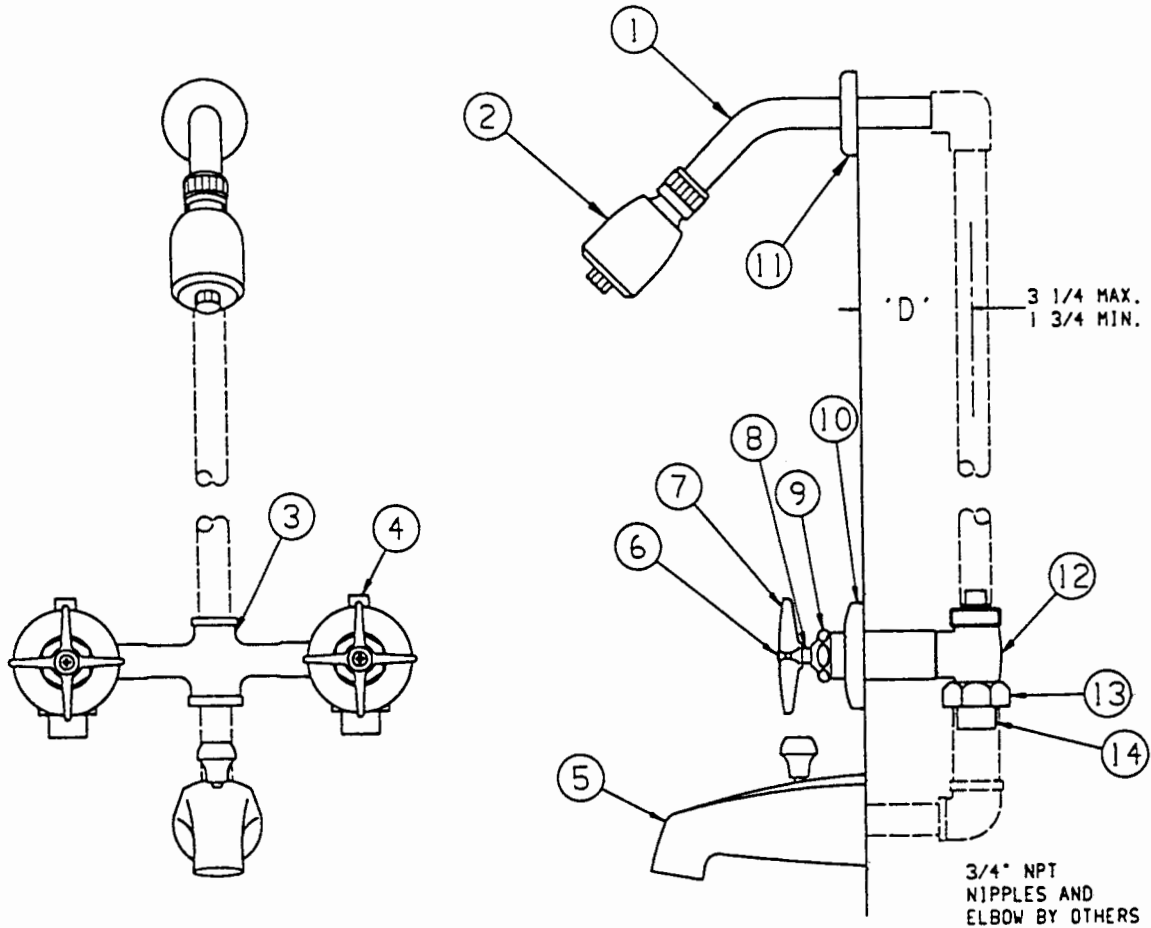


FIGURE (2) TYPICAL THREE VALVE IN-WALL VALVE WITH DEEP ESCUTCHEON

