

MARATHON™
SINGLE LEVER FAUCET
2200 & 2300 Series

Installation Instructions

TABLE OF CONTENTS

Product Overview2
 Features2
 Safety Information2
 Component Identification2-4
 Installation
 Lavatory5-6
 Kitchen7
 Side Valve8
 Temperature and Volume Adjustment9
 Cartridge Replacement-Retrofit10
 Geberit Warranty11-12

 Las instrucciones en Espanol13
 Les Instructions en Francais25



NOTE

Pressurized plumbing fixtures shall be installed in accordance with manufacturer's recommendations. The supply piping to these devices shall be securely anchored to the building structure to prevent installed device from unnecessary movement when operated by the user. Care shall be exercised when installing the device to prevent marring the exposed significant surface.

NOTA

Los accesorios presurizados de fontanería deben instalarse de acuerdo con las recomendaciones del fabricante. La tubería de suministro a estos dispositivos debe fijarse firmemente a la estructura del edificio para evitar su movimiento innecesario durante el uso por el usuario. Se debe tener cuidado cuando se instale el dispositivo para evitar raspar la superficie expuesta.

REMARQUE

Les équipements sanitaires pressurisés devront être installés de manière conforme aux recommandations du fabricant. La tuyauterie d'adduction d'eau jusqu'à ces dispositifs devra être solidement fixée à la structure du bâtiment pour éviter aux dispositifs installés tout mouvement indésirable lorsqu'ils sont actionnés par l'utilisateur. L'installation des dispositifs devra se faire avec précaution pour éviter l'endommagement de la surface significative exposée.

Copyrights

© 2004 Geberit. All rights reserved. The information in this manual is subject to change without notice.

Derechos de Autor

© 2004 Geberit. Se reservan todos los derechos. La información de este manual está sujeta a cambios sin previo aviso.

Copyrights

© 2004 Geberit. Tous droits réservés. Les informations présentées dans ce manuel peuvent être modifiées sans préavis.

Notice to Installers

Please leave this manual with the facility manager after completing the faucet installation. This document contains information necessary for routine maintenance and servicing.

Aviso para las Personas Encargadas de la Instalación

Por favor deje este manual con el administrador del lugar después de terminar la instalación del grifo. Este documento contiene información necesaria para realizar las operaciones rutinarias de mantenimiento y servicio.

Avis aux Installateurs

Laisser ce manuel au directeur de l'établissement après avoir installé les robinets. Ce document contient les instructions nécessaires pour l'entretien préventif et le service après-vente.



PRODUCT OVERVIEW

Chicago Faucets' Marathon™ Single Control faucets are the best single handle faucets on the market backed by a wealth of experience and excellent customer service.

FEATURES

- Replaceable cartridge
- Adjustable volume control
- Variable temperature control
- Concealed adjustable temperature limit stop
- Temperature control on top
- Vandal resistant, ADA compliant cap

SAFETY INFORMATION

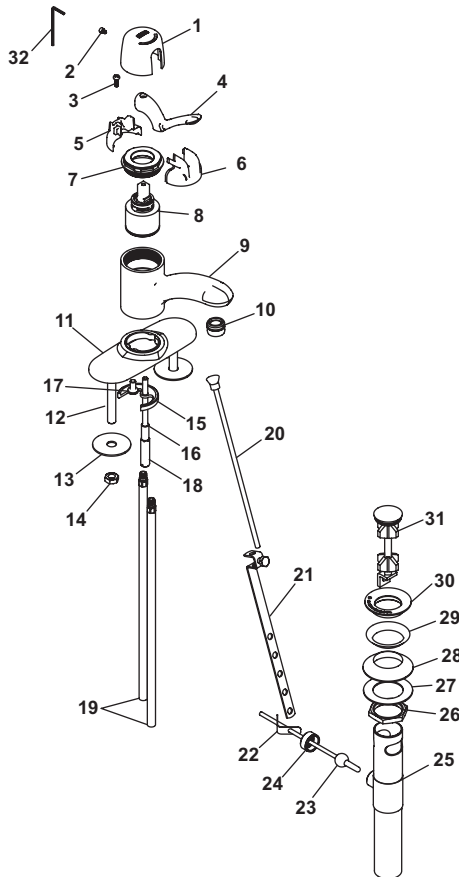
- **Read this entire instruction sheet to ensure proper installation.**
- **Compliance and conformity to local codes and ordinances is the responsibility of the installer.**

TECHNICAL SUPPORT

For additional technical assistance, call 800 / TEC-TRUE (800-832-8783) or visit our website at www.chicagofaucets.com.

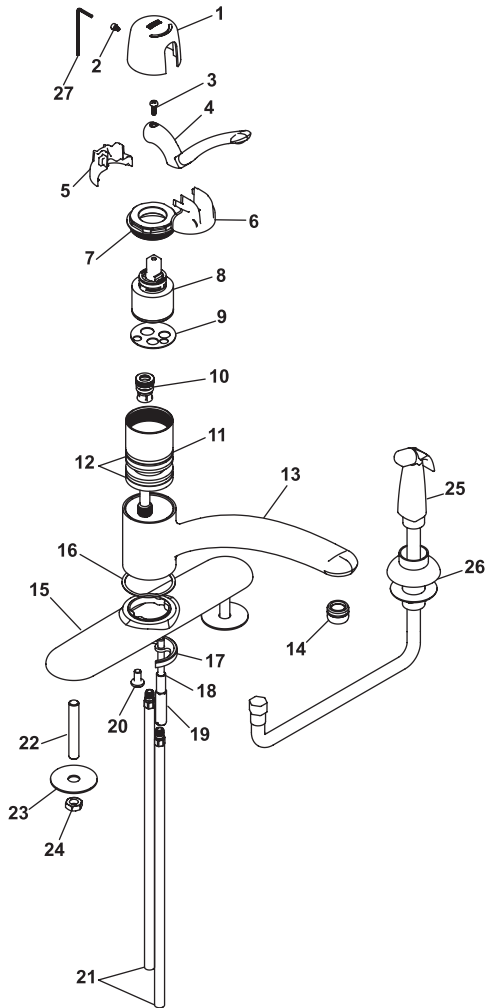
COMPONENT IDENTIFICATION - LAVATORY

1. Cap
2. Screw, Torx
3. Screw, M4-12
4. Handle
5. Spin Cap, LH
6. Spin Cap, RH
7. Nut, Hold-down
8. Cartridge
9. Body
10. Outlet
11. Cover Plate (4" or 8")
12. Guide Shank, 3/8" (qty. 2)
13. Washer, 1-3/4" (qty. 2)
14. Nut, Mounting, 3/8"-24 (qty. 2)
15. Washer, Hold-down
16. Stud, Mounting, 1/4"-20
17. Screw, Pan Head, 1/4"-20
18. Nut, Mounting
19. Inlet Tube (qty. 2)
20. Lift Rod
21. Hanger with Thumbscrew
22. V-Clip
23. Pivot Ball-Rod Assembly
24. Ball Nut
25. Tailpiece
26. Locknut
27. Washer
28. Lower Washer, Flange Seal
29. Upper Washer, Flange Seal
30. Flange Seal
31. Stopper
32. Hex Key, 3/32"



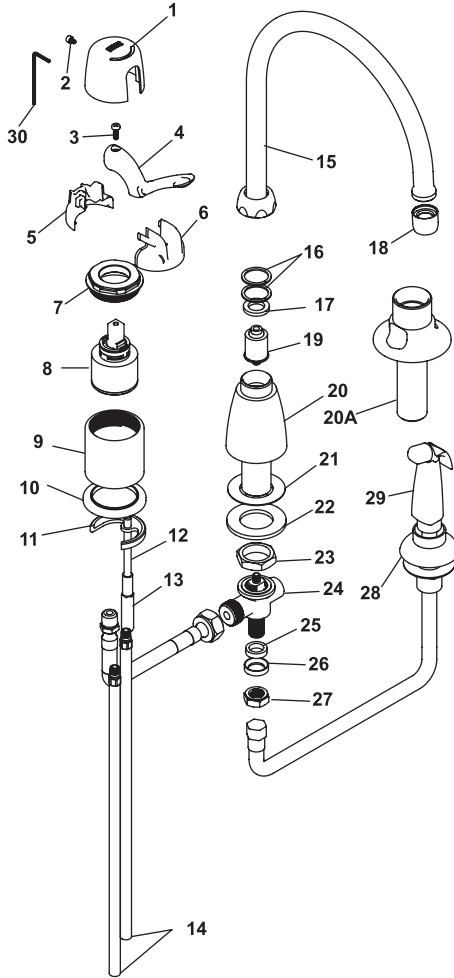
COMPONENT IDENTIFICATION - KITCHEN

1. Cap
2. Screw, Torx
3. Screw, M4-12
4. Handle
5. Spin Cap, LH
6. Spin Cap, RH
7. Nut, Hold-Down
8. Cartridge
9. Gasket
10. Diverter Assembly
11. Hub Assembly
12. Quad Rings
13. Body
14. Outlet
15. Cover Plate
16. Slip Washer
17. Washer, Hold-Down
18. Stud, Mounting, 1/4"-20
19. Nut, Mounting
20. Screw, Pan Head, 1/4"-20
21. Inlet Tube (qty. 2)
22. Guide Shank, 3/8" (qty. 2)
23. Washer, 1-3/4" (qty. 2)
24. Nut, Mounting, 3/8"-24 (qty. 2)
25. Spray Assembly
26. Flange Assembly
27. Hex Key, 3/32"



COMPONENT IDENTIFICATION - SIDE VALVE

1. Cap
2. Screw, Torx
3. Screw, M4-12
4. Handle
5. Spin Cap, LH
6. Spin Cap, RH
7. Nut, Hold-down
8. Cartridge
9. Body
10. Flange, Body
11. Washer, Hold-Down
12. Mounting Stud, 1/4"-20
13. Mounting Nut
14. Inlet Tube (qty. 2)
15. Spout Assembly
16. Washer, Plastic, Split (qty. 2)
17. Washer, Plastic, 1/8" Thick
18. Outlet
19. Diverter Assembly (Used with #20)
20. Spout Base Assembly
- 20A. Spout Base Assembly
21. Washer, Rubber
22. Washer, Galvanized
23. Locknut
24. Tee Assembly
25. Washer, Rubber
26. Retainer
27. Locknut
28. Flange Assembly
29. Spray Assembly
30. Hex Key, 3/32"

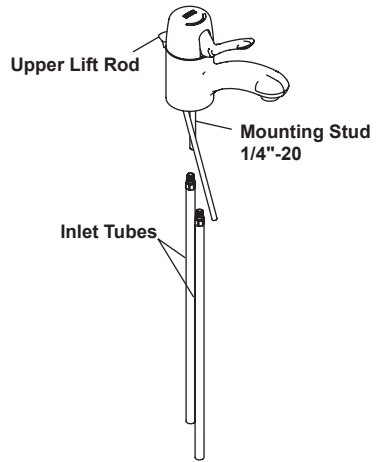


INSTALLATION—LAVATORY

1. Turn off water supply to existing faucet.
2. Remove old faucet and pop-up (if necessary).
3. Thread the inlet tubes into the body and hand tighten securely. Do not overtighten.
4. Thread 1/4"-20 mounting stud fully into the body hole closest to the center, hand-tight.

⚠ Do not use a wrench on spout or inlet tubes.

5. Install the upper lift rod into the body (if equipped).



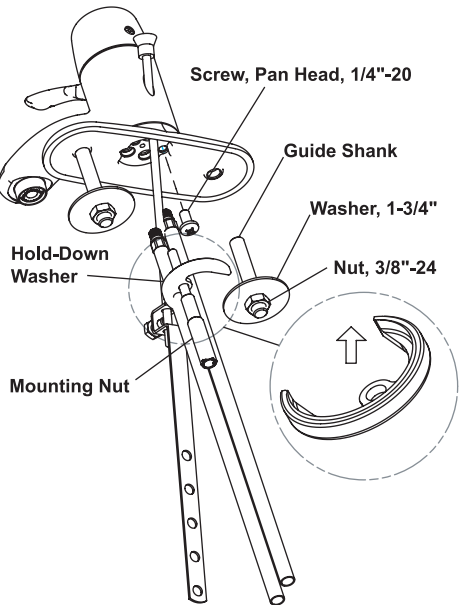
6. If cover plate is used, secure it to faucet body with 1/4"-20 pan head screw. Install guide shanks to cover plate.

NOTE: For 2200 Series faucets, slip washer is not used.

7. Place faucet and cover plate onto sink with inlet tubes through mounting hole. Use plumbers putty to seal faucet to sink. Place a ring of putty around hole openings of the sink base.

NOTE: Use silicon sealant for porous stone or plumbers putty as recommended by counter manufacturer.

8. Place hold-down washer (solid surface facing downward) onto mounting stud from below and secure with mounting nut finger tight.
9. Adjust faucet position as necessary, then tighten all mounting hardware.

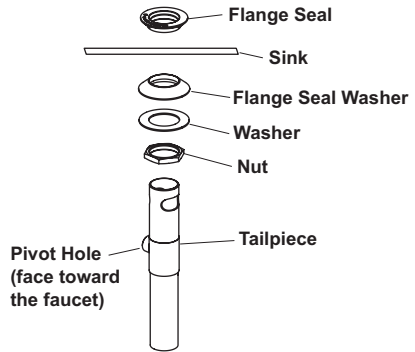


INSTALLATION—LAVATORY (continued)

NOTE: If installing a new pop-up waste assembly, continue with steps 10-12, otherwise skip to step 13.

10. Clean faucet basin and clear away debris.
11. Install the flange seal through the top of the sink.
12. Install the flange seal, flange seal washer, washer, locknut and tailpiece to the sink drain hole. Pivot hole must face to the rear. DO NOT tighten nut fully at this time.

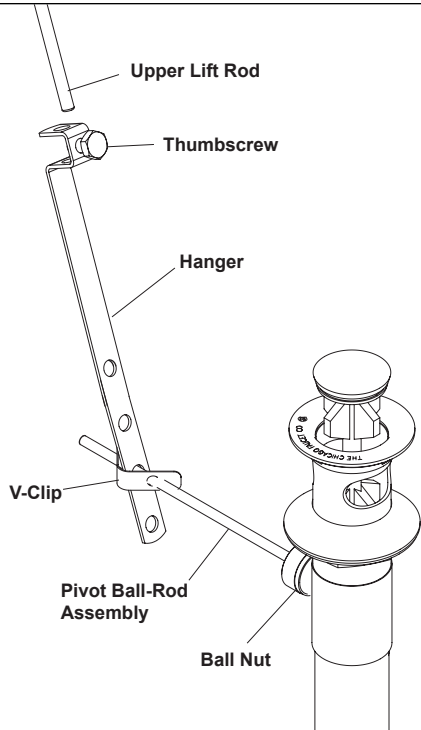
NOTE: Use plumbers putty on the flange seal threads.



13. Connect the inlet tubes to water supply with compression nuts (not supplied with inlet tubes). Tighten connections securely.
14. Insert the stopper fully into the drain hole. Insert the pivot ball-rod assembly to the tailpiece pivot hole.

NOTE: Pivot ball-rod may be inserted so rod end engages through stirrup in stop shank for vandal-resistant installation; or stirrup can rest on top of rod end for easy removal and cleaning.

15. Secure with ball nut. Tighten ball nut lightly with pliers or wrench, but do not overtighten.
16. Attach pivot ball-rod assembly to hanger with v-clip.
17. With lift rod in lowest position and pivot ball-rod in lowest position, attach the hanger to the upper lift rod, and tighten thumbscrew. Fully lift the upper lift rod to test stopper. Adjust if necessary.
18. Turn on water supply and check for leaks.



INSTALLATION—KITCHEN

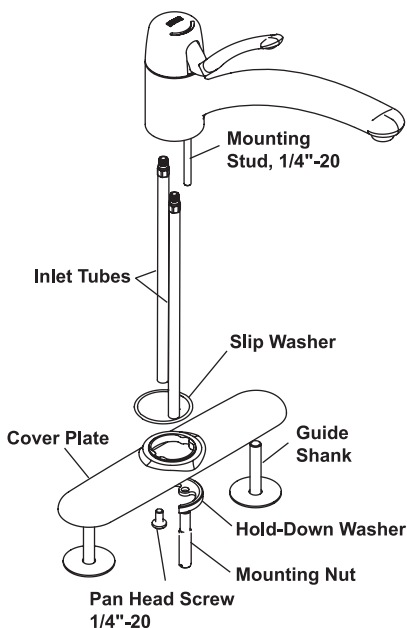
1. Turn off water supply to existing faucet.
2. Remove old faucet.
3. Clean faucet basin and clear away debris.
4. Thread the inlet tubes into the body and tighten securely. Do not overtighten.
5. Thread 1/4"-20 mounting stud fully into the body, hand-tight.

⚠ Do not use a wrench on spout or inlet tubes.

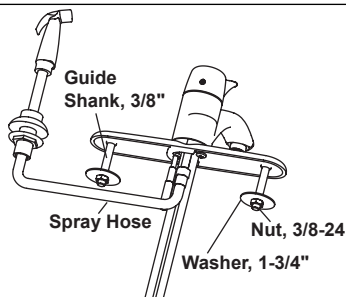
6. Position the slip washer between the faucet and cover plate. Secure cover plate to faucet body with 1/4"-20 pan head screw.
7. Install guide shanks.
8. Place faucet and cover plate onto sink with inlet tubes through mounting hole. Use plumbers putty to seal faucet to sink. Place a ring of putty around inside of cover plate.

NOTE: Use silicon sealant for porous stone or plumbers putty as recommended by counter manufacturer.

9. Place hold-down washer (solid surface facing downward) onto mounting stud from below and secure with mounting nut finger tight.



10. Secure the cover plate to the sink using the guide shanks, washers and nuts supplied.
11. Adjust faucet position as necessary, then tighten all faucet mounting hardware.

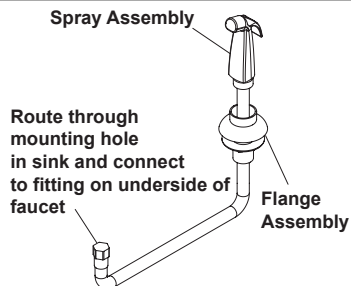


12. Install spray flange assembly to sink. Use plumbers putty to seal flange to sink.

NOTE: Use silicon sealant for porous stone or plumbers putty as recommended by counter manufacturer.

13. Slip spray hose through flange and route hose up through faucet center mounting hole and slip washer supplied. Apply teflon tape to supply tube and attach hose to threaded adapter on faucet.

14. Connect the inlet tubes to water supply with compression nuts (not supplied with inlet tubes). Tighten connections securely.



15. Turn on water supply and check for leaks.

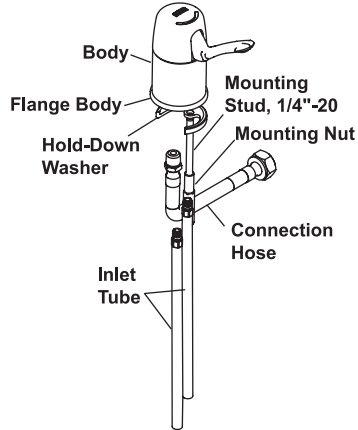
INSTALLATION—SIDE VALVE

1. Turn off water supply to existing faucet.
2. Remove old faucet (and side spray if necessary).
3. Clean faucet basin and clear away debris.
4. Thread the inlet tubes into the body and tighten securely. Do not overtighten.
5. Thread 1/4-20 mounting stud fully into the body, hand-tight.
6. Attach connector hose to threaded adapter on faucet.

⚠ Do not use a wrench on spout or inlet tubes.

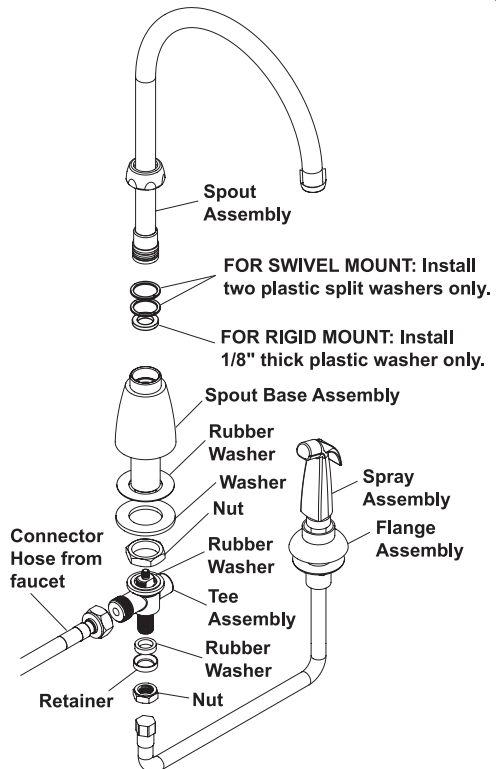
7. Place body onto sink with inlet tubes and connector hose through mounting hole. Use plumbers putty to seal body to sink. Place a ring of putty around inside of body.

NOTE: Use silicon sealant for porous stone or plumbers putty as recommended by counter manufacturer.



8. Place hold-down washer (solid surface facing downward) onto mounting stud from below and secure with mounting nut finger tight.

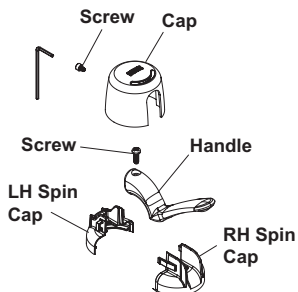
9. Install spout base assembly to sink. Use rubber washer supplied.
10. Install spout assembly to the spout base assembly. For rigid mount, install the 1/8" thick plastic washer in place of the two split washers. For swivel mount, install the two split washers in place of the 1/8" plastic washer.
11. Install tee assembly, washer and nut to flange assembly.
12. Install the connector hose from the faucet to the tee assembly. Use thread seal tape on the male pipe threads.
13. Install spray flange assembly to sink. Use plumbers putty to seal.
14. Slip spray hose through flange and attach hose to tee assembly.
15. Connect the inlet tubes to water supply with compression nuts (not supplied with inlet tubes). Tighten connections securely.
16. Turn on water supply and check for leaks.



TEMPERATURE AND VOLUME ADJUSTMENT

Disassembly

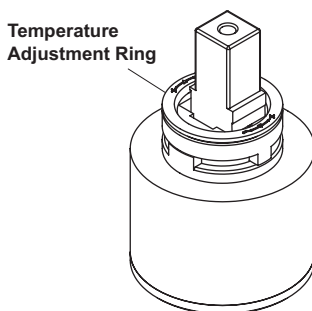
1. Using a 3/32" hex key, remove the screw and cap.
2. Remove the screw and handle.
3. Squeeze the tab clips push forward to separate the spin cap halves.



Temperature Adjustment

NOTE: Cartridge is supplied with the hot limit ring in the middle position. To save hot water and avoid scalding, the ring may be adjusted so the ring pin is bumped against the stop before faucet handle reaches the full hot water position.

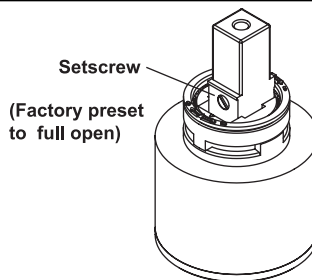
4. Lift the temperature adjustment ring off the cartridge.
5. Rotate the ring *clockwise* to the desired position (facing faucet), then re-position the ring onto the cartridge.



Volume Adjustment

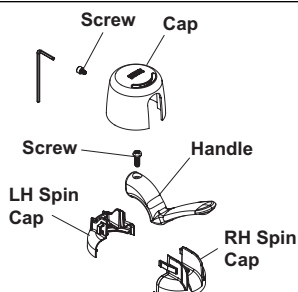
6. Loosen the setscrew in the back of the cartridge stem.
7. Volume setscrew is factory preset to full open. Adjust setscrew out until desired water flow is reached.

NOTE: Volume adjustment can be done by removing cap, screw and LH spin cap.



Assembly

8. Assemble the LH and RH spin caps with the spin rings inside the grooves. LH spin cap is located above the setscrew.
9. Install the handle and make sure it is seated with the cartridge stem, then secure with screw (M series).
10. Install the cap and torx screw.



CARTRIDGE REPLACEMENT—RETROFIT

CAUTION

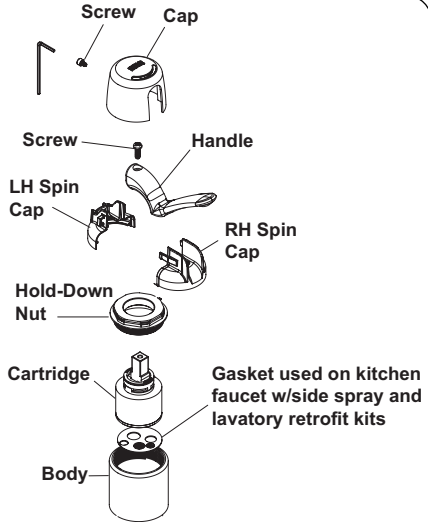
Make sure that water supply is completely off before beginning cartridge replacement.

To relieve pressure, lift handle to full mix, open position.

- Using a 3/32" hex key, remove the screw and cap.
- Remove the screw and handle.
- Squeeze the tab clips push forward to separate the spin cap halves.
- Use the 1-5/8" wrench (or 6pt. socket) and remove the hold-down nut from the body. If the faucet is not equipped with a deck plate/escutcheon, use a strap wrench to hold the body while turning the cartridge hold-down nut.

IMPORTANT: Cartridge hold-down nut must be turned counterclockwise to loosen.

- Remove existing cartridge.

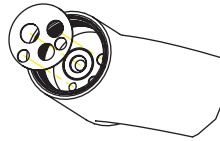


CAUTION

Failure to keep body stationary while turning cartridge retainer nut could result in damage to the faucet supply lines.

NOTE: The retrofit kit comes partially assembled for shipment and will require disassembly before installing.

- Install the cartridge gasket over the corresponding holes in the lavatory or kitchen faucet.

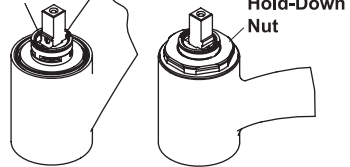


- Assemble cartridge into faucet body. Make sure setscrew is facing rear of body.
- Install hold-down nut and torque to 106 in. lbs. (12 nm)

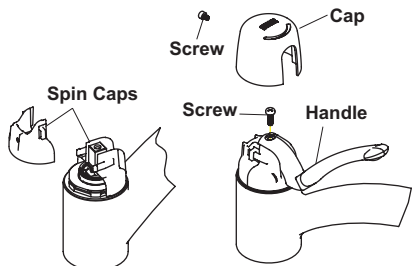
CAUTION

The use of a channel lock and/or over-tightening the hold-down nut can cause damage or poor operation.

Setscrew positioned to the rear



- Assemble left and right spin caps with the spins rings located in the grooves.
- Assemble handle to faucet. Make sure handle is fully seated before installing screw.
- Install cap and screw.
- Turn on water supply and check for leaks.



GEBERIT WARRANTY

PRICES - Prices quoted herein are subject to change without notice and all orders are accepted subject to prices prevailing at time of order entry.

TERMS OF PAYMENT - Terms are 2% 45 days 60 net. Cash discounts must be calculated on the total amount of the invoice, before transportation charges and any applicable taxes. A 1-1/2% per month service charge will be added to all past due invoices. Annual rate of 18%.

TAX NOTICE - Any manufacturers' or sales tax applicable thereto will be added to the prices and terms herein contained.

CREDIT APPROVAL - All orders are subject to credit approval by the CHICAGO FAUCET COMPANY'S Credit Department prior to acceptance of the order. Orders may be refused, delivery may be withheld or shipments stopped in transit on accepted orders without any liability on the Company's part, if, in its sole opinion, the buyer's ability to pay for the merchandise on the terms and conditions contained herein is in doubt. All New Accounts must submit a \$500.00 net minimum order with credit and bank references.

SHIPPING AND HANDLING - All sales are F.O.B., shipping point. The Company will allow full freight at the prevailing CWT rate on shipments of Company's products with a net invoice value of \$1,500.00 or 24 pieces, * when shipments are within the continental United States and have as destination the buyer's usual business address or designated job location. Freight allowed on shipments to Alaska shall be calculated F.A.S., Seattle, Washington. The use of the term "F.A.S., Seattle, Washington" in this paragraph shall not be deemed to impose any risk or obligation concerning the goods or the shipment thereof upon the Company after the delivery of the goods to the initial carrier. Under no circumstances will a direct C.O.D. shipment be made to the wholesaler's customer.

* Original P.O. must meet FFA terms. Subsequent additions will not be considered towards freight allowance.

Routing of shipments shall be determined at the sole discretion of the Company.

DELIVERY - Delivery to the initial carrier shall constitute delivery to the buyer. CHICAGO FAUCET COMPANY'S responsibility, insofar as transportation risks are concerned, ceases upon delivery in good order to such carrier, and all goods are shipped at the buyer's risk. The buyer is requested to check each incoming shipment carefully before acknowledging receipt from the carrier. If goods are visibly damaged the buyer should insist that written confirmation of the damage be noted on the freight bill by the carrier. If concealed damage is noted after unpacking, the buyer should immediately notify the carrier involved and obtain verification of the damage from the carrier. Claims for shortages in orders will not be considered unless presented to the Company within 30 days after receipt of goods by the buyer.

DAMAGE - All claims for damage in transit, shortage, or nondelivery must be filed against the carrier by the buyer. CHICAGO FAUCET COMPANY will not be responsible for delay in shipment of goods, or for any damages suffered by reasons thereof, when such delay is occasioned by accident, fire, flood, embargo, strike, war, labor stoppages, inadequate transportation, shortage of materials, delay or default on the part of vendors, government regulations or any other cause beyond its control.

CHICAGO FAUCETS BRAND PRODUCTS ARE SUBJECT TO THE FOLLOWING WARRANTIES:

LIMITED WARRANTY - The CHICAGO FAUCET COMPANY ("Chicago Faucets") extends to the original consumer the following warranties for Genuine Chicago Faucets manufactured products and components, or other components under the Chicago Faucets Warranties, (collectively, the "Products") used in commercial or residential applications.

LIFETIME FAUCET WARRANTY - The "Faucet", defined as any metal cast, forged, stamped or formed portion of the Product, not including electronic or moving parts or water restricting components, or other components covered under other Chicago Faucet warranties, is warranted against manufacturing defects for the life of the Product.

FIVE YEAR CARTRIDGE WARRANTY - COMMERCIAL - The "Cartridge", defined as the metal portion of any Product typically referred to by the product numbers containing 1-099, 1-100, 1-310, 377X, 217X and 274X, excluding any rubber or plastic components, is warranted against manufacturing defects for a period of five (5) years from the date of Product purchase. All Cartridges included in Chicago Faucet's Single Control or Shower Products are also warranted against manufacturing defects for a period of five (5) years from the date of Product purchase.

LIFETIME CARTRIDGE WARRANTY - RESIDENTIAL - For products used in Residential applications, the "Cartridge", as described above, is warranted for the lifetime of the faucet.

ONE-YEAR FINISH WARRANTY - COMMERCIAL - For Products used in commercial applications, the finish of the Product is warranted against manufacturing defects for a period of one-year from the date of Product purchase. PVD finishes installed in public or commercial areas carry a one-year warranty from date of installation.

ONE-YEAR FINISH WARRANTY - RESIDENTIAL - PVD finishes installed in public or commercial areas carry a one-year warranty from date of installation.

FIVE-YEAR FINISH WARRANTY - RESIDENTIAL - For Products used in residential applications, the finish of the Product is warranted against manufacturing defects for a period of five (5) years from the date of Product purchase. ForeverShine™ finishes installed in residential-use applications are warranted not to corrode, tarnish or discolor for the life of the product.

ELECTRONIC FAUCETS MECHANICALS WARRANTY - Are warranted for 5 years from the date of installation.

ELECTRONIC FAUCETS FINISHES WARRANTY - Are warranted for one-year from the date of installation.

ELECTRONIC FAUCETS ELECTRONICS AND SOLENOID WARRANTY - Are warranted for one-year from the date of installation.

OTHER WARRANTIES - All other Products not covered above are warranted against manufacturing defects for a period of one (1) year from the date of Product purchase.

GEBERIT BRAND PRODUCTS ARE SUBJECT TO THE FOLLOWING WARRANTIES:

KITCHEN ACCESSORIES shall be free from defective material and workmanship for a period of 1-year from date of installation.

BATH WASTE and OVERFLOW products carry a limited lifetime warranty on the material and mechanism. Tesslera™ concealed tank & carrier units carry a 10-year limited warranty on the flushing mechanisms and limited lifetime warranty on the tank and carrier.

PLATED FINISHES carry a one-year limited warranty from date of installation with the exception of those finishes designated as ForeverShine™.

ForeverShine™ finishes installed in residential-use applications are warranted not to corrode, tarnish or discolor for the life of the product.

ForeverShine™ finishes installed in commercial use applications are warranted for a period of one-year from date of installation.

ELECTRONIC FAUCETS, FLUSHOMETERS AND METERING MECHANICALS WARRANTY - Are warranted for 5 years from the date of installation.

ELECTRONIC FAUCETS FINISHES WARRANTY - Are warranted for one-year from the date of installation.

ELECTRONIC FAUCETS ELECTRONICS AND SOLENOID WARRANTY - Electronics are warranted for 1 year from the date of installation, solenoid is warranted for 3 years from date of installation.

PRESSURE ASSIST TOILET SYSTEMS - Are warranted for 5 years from date of installation (pressure vessel), limited lifetime for the carrier plus a one-year warranty on toilet bowl and flush actuator plate.

Chicago Faucets will either replace or repair the defective equipment or refund the purchase price, at its option, if an inspection by Chicago Faucets or its authorized representative discloses any manufacturing defects in material or workmanship during this period. These provisions do not include the battery shipped with the Electronic Products. Chicago Faucets will not be liable for any labor or other expenses not specifically stated above and disclaim any responsibility for incidental or consequential damages.

Warranties implied by law, including that of merchantability are expressly limited to the period of this warranty. This limitation and exclusion does not apply in those states that do not allow limitations on the duration of implied warranties. Or the exclusion may not apply to you. This warranty gives you specific legal rights and you may have other rights, which vary, from state to state.

RETURNED GOODS - Merchandise may not be returned to the Company for credit unless the buyer obtains prior written approval from the Company. Such approval will be granted only when material to be returned is a Standard or MTO product and is listed in the current price sheets. Credit will be issued on all material returned by permission, at the prevailing price at time of purchase, less a handling charge of up to 35%. No credit whatever will be allowed on products designated as Custom (Custom products are products not designated as Standard or MTO) which have been shipped according to customers' specification. Material, which is marred or damaged, will not be accepted. All transportation costs for returned goods must be paid by the buyer.

ORDER MODIFICATION/CANCELLATION - Orders for Standard and MTO products can be modified or cancelled up to the time the order is being processed for shipment. A Chicago Faucets customer service representative must confirm the status of order to be cancelled or changed in order to avoid any restocking fees or charges. Changes to the order can potentially extend the acknowledged availability date. Once entered, Custom products are non-cancelable, and will be shipped and billed to the customer.

The Company reserves the right to make reasonable changes of any kind in its products and their packaging without notice.

MINIMUM CHARGE - No invoice will be made for less than \$100.00 (One Hundred Dollars Net) on faucets, valves and fittings or repair parts.

NOTE: Possession of this price sheet by any person is not to be construed as an offer to sell him or anyone else, the goods listed herein at prices stated.