

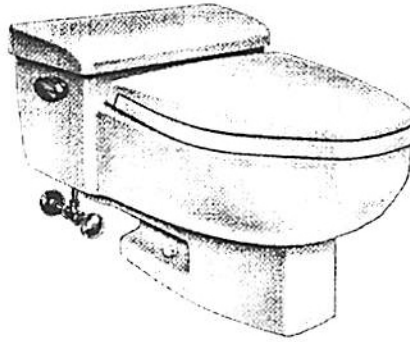
American Standard Toilets

One-Piece



2000/2149/2005 Series

Luxor



2002 Ventaway
2002 Non-Ventaway
2003 Ventaway
2003 Non-Ventaway

Concord



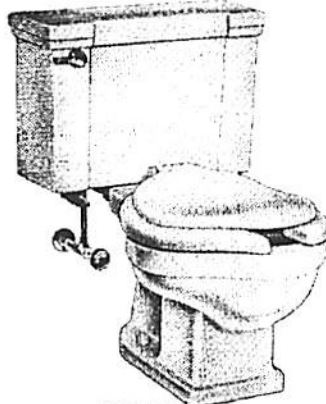
2004 Series

Carlyle



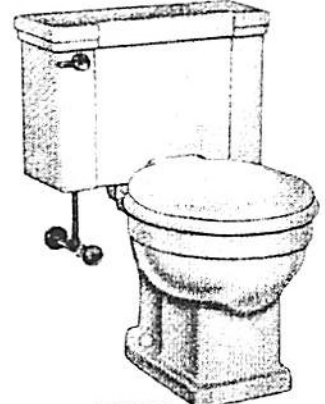
2010 Series

Neo-Health



2024 Combo
4024 Tank

Elongated Compact



2050 Combo
2055 Combo
4033 Tank

Norwall



2090 Combo
4041 Ventaway Tank
4041 Non-Ventaway Tank

Compton



4043 Tank
2116 Combo

Glenwall



2094 Combo
4049 Ventaway Tank
4049 Non-Ventaway Tank

American Standard Toilets

New Compton



**Non-Ventaway
2125 Combo
4049 Tank**

Cadet



**Non-Ventaway
2108/2109/2120/2122/2124 Series
4049 Tank**

Siacto/Modernus



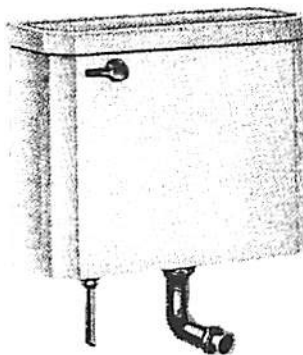
**2180/2186 Combo
4050 Tank**

Compact



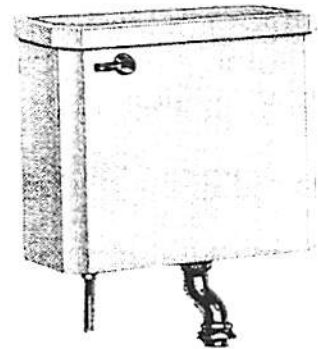
**2052/2053 Combo
4052 Ventaway Tank
4052 Non-Ventaway Tank**

Compact



4050 Tank

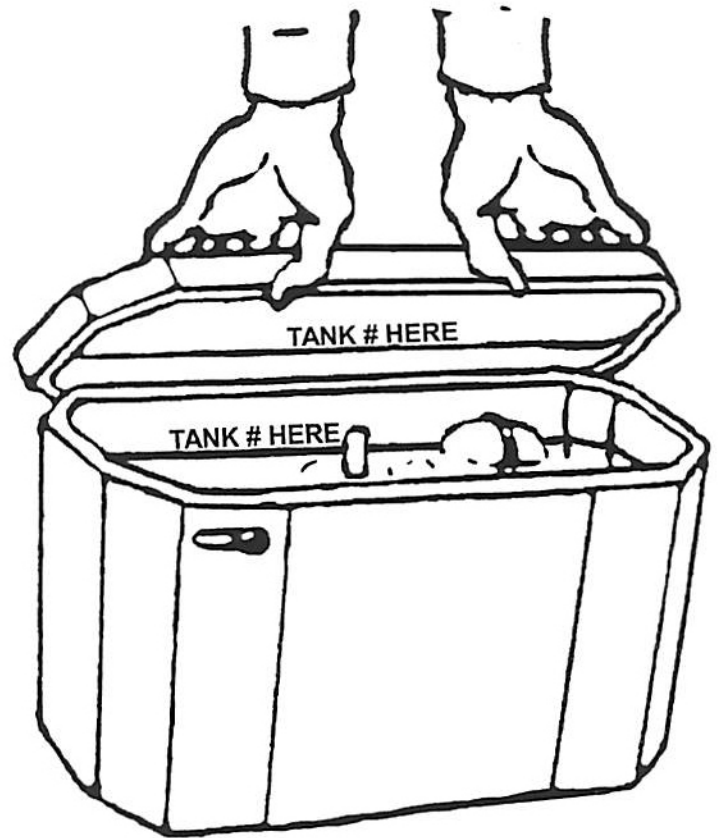
Compact



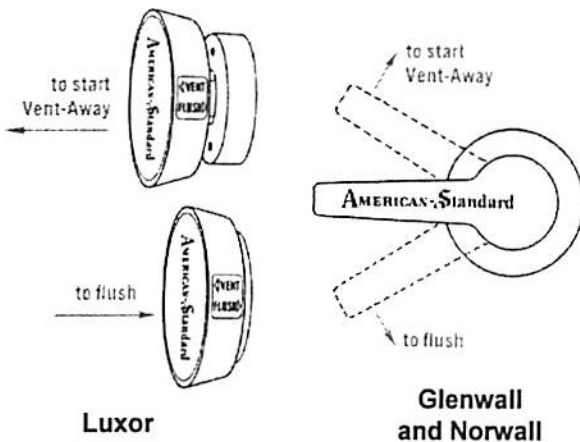
4070 Tank

Tank Number Locations

The tank number can be located on the inside of the tank lid or on the back wall of the tank near the water line. This should be a 4 digit number in a 2000 series for 1 piece toilets or a 4000 series for 2 piece toilets.



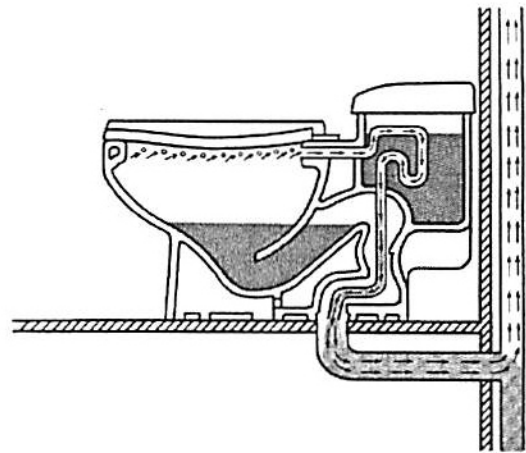
Vent-Away toilet ventilator



To Start Vent-Away action, pull flushing button outward, or raise trip lever. In approximately ten seconds ventilating action will begin.

To Stop Vent-Away action, push the flushing button in or lever down. This will stop the ventilating action and produce a flush cycle. The button or lever returns to neutral position.

To Flush without using Vent-Away, push the flushing button in or down in the normal manner. Toilet bowl can be flushed at anytime without using the ventilator.

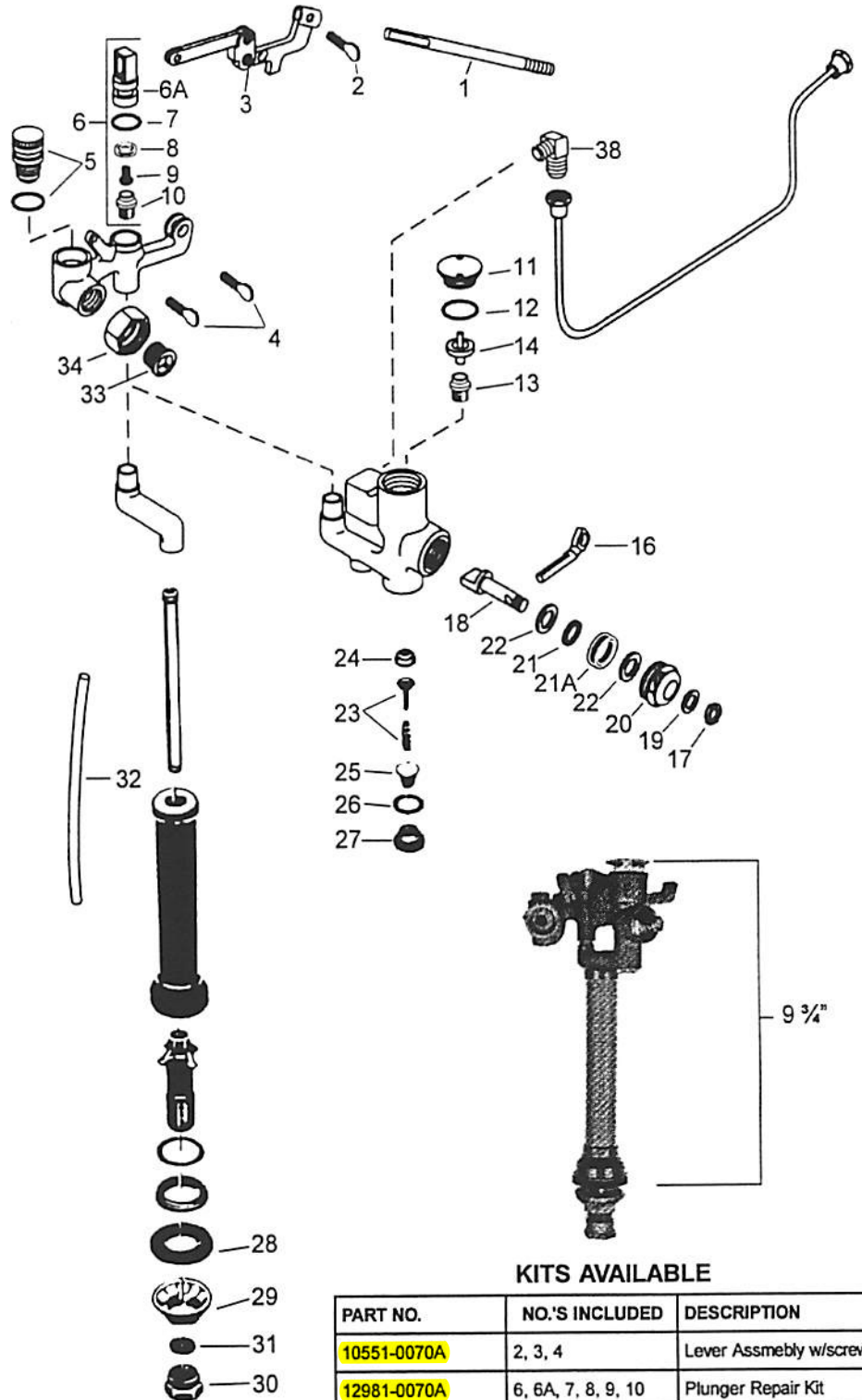


At the start of Vent-Away action, water is drawn out of a trap in the Vent-Away by a jet aspirator. Within ten seconds, a vacuum is created which draws air (and odors) back through holes in the flushing rim of the toilet bowl.

The air carries all the odors with it, into the discharge outlet of the toilet. The odors are then expelled through the vent pipe ... out of the bathroom.

Luxor 2002V N3045LV

NO.	DESCRIPTION	PART NO.
1	Float Rod	82-27
2	Float Rod Thumb Screw	558-07
3	Lever S/A	10740-07
4	Thumb Screws (2)	557-17
5	Volume Regulator S/A	10765-0070A
6	Plunger S/A (Parts 6A, 7, 8, 9, 10)	12981-0070A
6A	Plunger **KIT ONLY**	
7	Plunger Washer	1853-07
8	Stem Washer	233-17
9	Screw	33268-07
10	Seat	1663-07
11	Cap **KIT ONLY**	
12	Washer	866-27
13	Seat	33542-08
14	Float	25670-07
16	Arm	33476-07
17	Locknut	79-17
18	Stem	33454-07
19	Washer	113-17
20	Packing Nut	33450-07
21	Washer	64705-07
21A	Packing Seal	64706-07
22	Packing Washer (2)	64704-07
23	Valve Stem S/A	12004-07
24	Valve Seat	12002-09
25	Screen	12269-07
26	Gasket	12007-07
27	Plug	12268-07
28	Base Gasket	73477-07
29	Shank Locknut	73478-07
30	Coupling Nut	226-47
31	Coupling Washer	125-07
32	Refill Tube	70451-07
33	Swivel	33132-07
34	Nut	24970-02
38	Male Elbow	33252-07



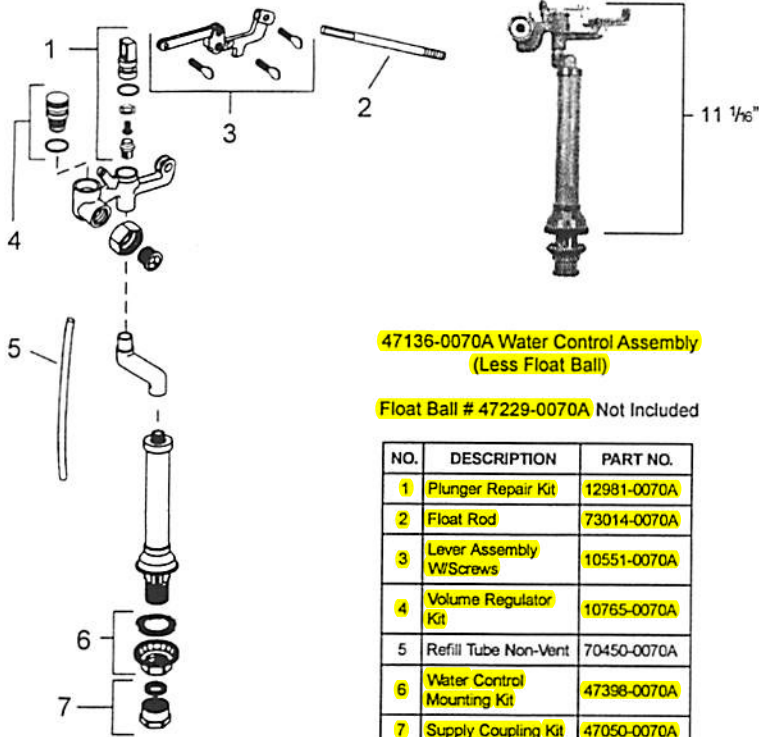
KITS AVAILABLE

PART NO.	NO.'S INCLUDED	DESCRIPTION
10551-0070A	2, 3, 4	Lever Assmely w/screws
12981-0070A	6, 6A, 7, 8, 9, 10	Plunger Repair Kit
47398-0070A	28, 29	Mounting Kit
70620-0700	11, 12, 13, 14	Vacuum Breaker Kit
67652-0070A	16, 17, 18, 19, 20, 21, 21A, 22	Diverter Stem Kit
67653-0070A	23, 24, 25, 26, 27	Diverter Valve Kit

MODEL 2003 (LUXOR LESS VENT)

- 1. AS 47136-0070A - Water Control Assembly
- 2. AS 738051-0070A - Backflow Preventer
- 3. AS 47049-0700 - Flush Valve
- 4. AS 33611-0020A - Actuator Button
- 5. AS 33409-0070A - Paddle Lever Only

47136-0070A



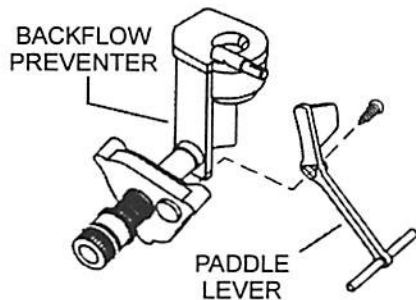
47136-0070A Water Control Assembly
(Less Float Ball)

Float Ball # 47229-0070A Not Included

NO.	DESCRIPTION	PART NO.
1	Plunger Repair Kit	12981-0070A
2	Float Rod	73014-0070A
3	Lever Assembly W/Screws	10551-0070A
4	Volume Regulator Kit	10765-0070A
5	Refill Tube Non-Vent	70450-0070A
6	Water Control Mounting Kit	47398-0070A
7	Supply Coupling Kit	47050-0070A

738051-0070A

BACKFLOW PREVENTER
ASSEMBLY

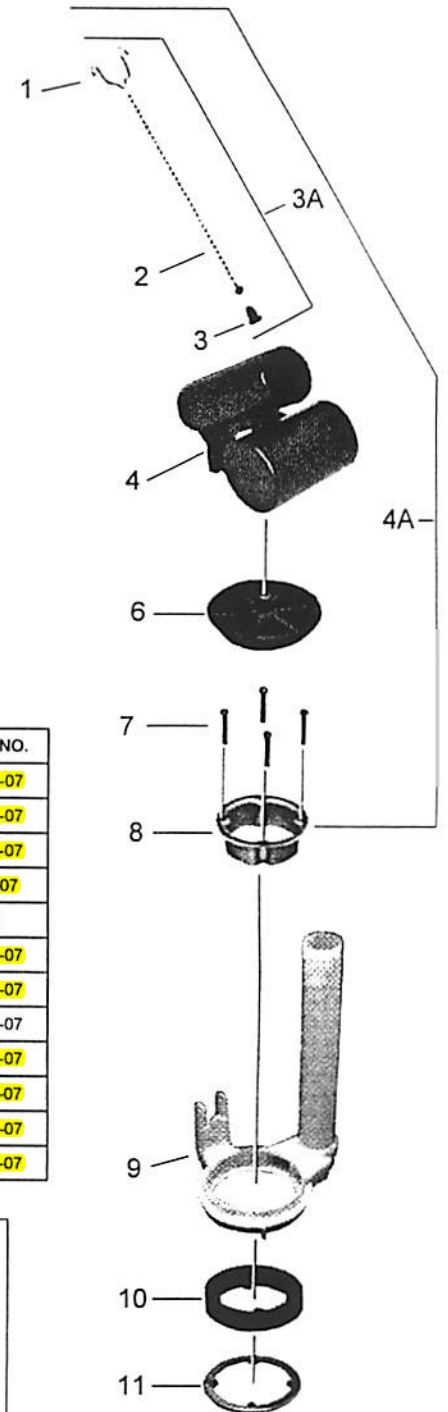


47049-0700



NO.	DESCRIPTION	PART NO.
1	Chain Retainer	73389-07
2	Chain	73388-07
3	Grommet	73387-07
3A	Lift Chain S/A	8321-07
4	Actuating Unit	4A
4A	Actuating Unit S/A	73380-07
6	Seat Disc	33643-07
7	Screws	33333-07
8	Retainer	33466-07
9	Body S/A	47049-07
10	Seal	33410-07
11	Compression Plate	33412-07

33611-0020A

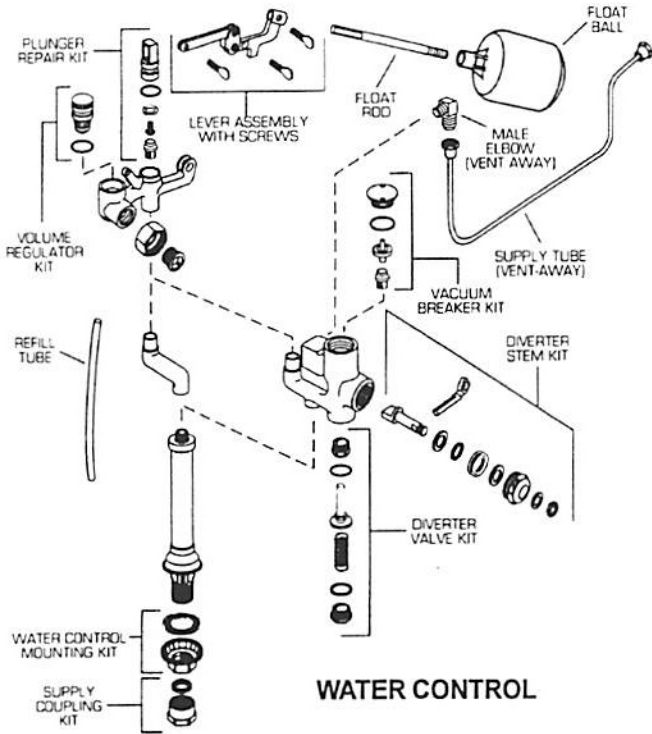


MODEL 2003

(LUXOR WITH VENT)

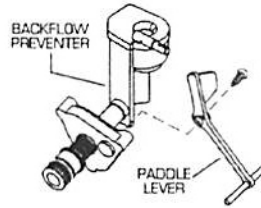
- | | |
|--------------------|---------------------------|
| 1. AS 47135-0070A | - Water Control With Vent |
| 2. AS 738051-0070A | - Backflow Preventer |
| 3. AS 738049-0070A | - Vent-Away Assembly |
| 4. AS 47049-0700 | - Flush Valve |
| 5. AS 33628-0020A | - Actuator Button |
| 6. AS 33409-0070A | - Paddle Lever Only |

47135-0070A



WATER CONTROL

738051-0070A



BACKFLOW PREVENTER ASSEMBLY

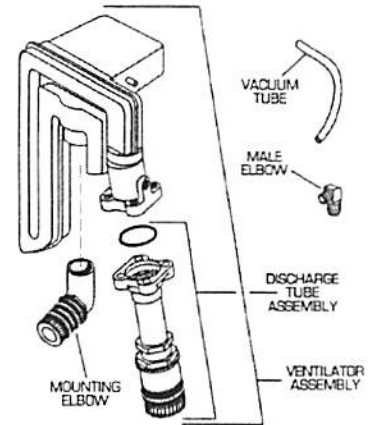
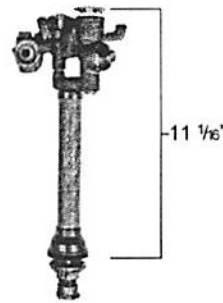
33628-0020A



LUXOR (VENTILATED)

738049-0070A

47135-0070A



VENT-AWAY TRIM ASSEMBLY

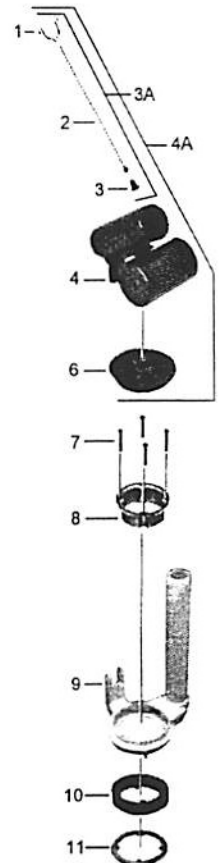
REPAIR PARTS	DESCRIPTION	PART NUMBER
Water Control Assembly (less Float Ball)	Plunger Repair Kit	12981-0070A
	Float Ball	47229-0070A
	Float Rod	73014-0070A
	Lever Assembly with Screws	10551-0070A
	Water Control Mounting Kit	47298-0070A
	Supply Coupling Kit	47050-0070A
	Refill Tube, non-Vent	70450-0070A
	Vacuum Breaker Kit	67651-0070A
	Diverter Stem Kit	67652-0070A
	Diverter Valve Kit	67653-0070A
	Volume Regulator Kit	10765-0070A
Supply Tube	33626-0070A	
Refill Tube	72541-0070A	
Male Elbow	33252-0070A	
Backflow Preventer Assembly (Includes Paddle Lever)	With Vent-Away	738051-0070A
Vent-Away Trim Assembly	Ventilator Assembly (includes Discharge Tube Assembly and Mounting Elbow)	738049-0070A
	Male Elbow	33252-0070A
	Discharge Tube Assembly	47054-0070A
	Vacuum Tube	33457-0070A
	Actuator Button	33628-0020A
	Flush Valve	47049-0700

47049-0700



NO.	DESCRIPTION	PART NO.
1	Chain Retainer	73389-07
2	Chain	73388-07
3	Grommet	73387-07
3A	Lift Chain S/A	8321-07
4	Actuating Unit	** KIT ONLY **
4A	Actuating Unit S/A	73380-07
6	Seat Disc	33643-07
7	Screws	33333-07
8	Retainer	33466-07
9	Body S/A	** KIT ONLY **
10	Seal	33410-07
11	Compression Plate	33412-07

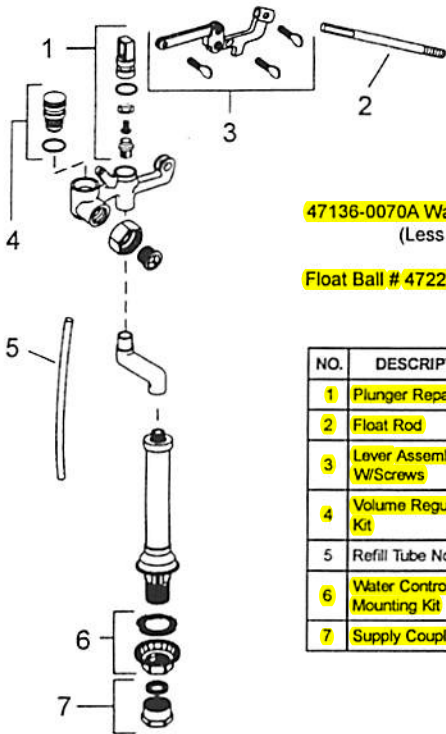
FLUSH VALVE



MODEL 2004 (CONCORD)

- 1. AS 47136-0070A - Water Control Assembly
- 2. AS 738051-0070A - Backflow Preventer
- 3. AS 47049-0700 - Flush Valve
- 4. AS 33650-0300 - Actuator Button
- 5. AS 33409-0070A - Paddle Lever Only

47136-0070A



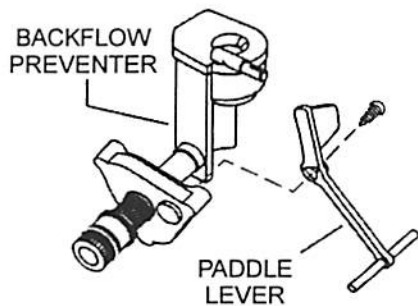
47136-0070A Water Control Assembly
(Less Float Ball)

Float Ball # 47229-0070A Not Included

NO.	DESCRIPTION	PART NO.
1	Plunger Repair Kit	42981-0070A
2	Float Rod	73014-0070A
3	Lever Assembly W/Screws	10551-0070A
4	Volume Regulator Kit	10765-0070A
5	Refill Tube Non-Vent	70450-0070A
6	Water Control Mounting Kit	47398-0070A
7	Supply Coupling Kit	47050-0070A

738051-0070A

BACKFLOW PREVENTER
ASSEMBLY

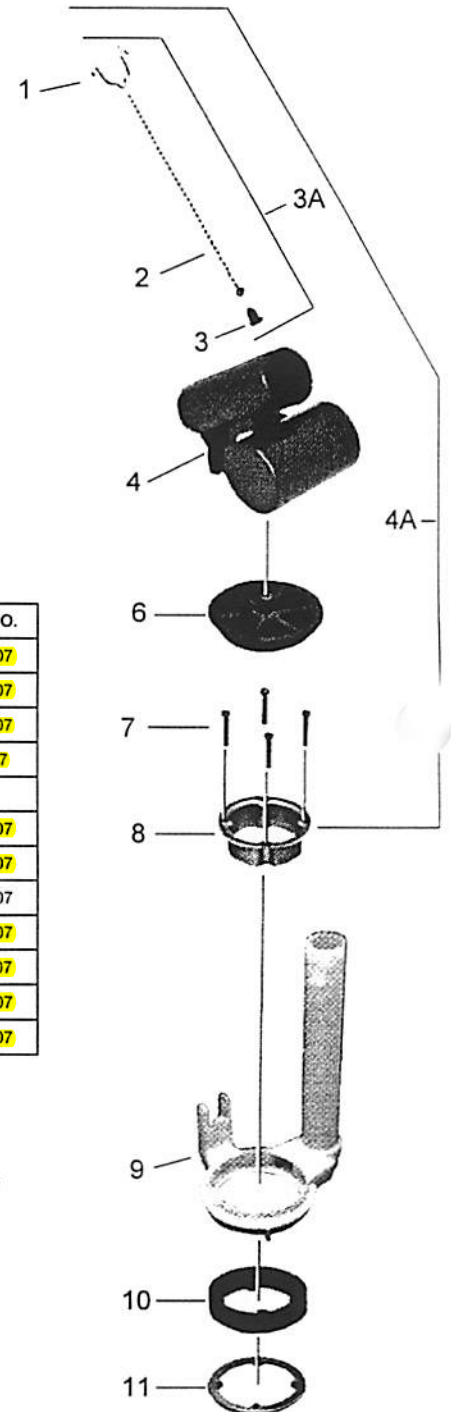


47049-0700



NO.	DESCRIPTION	PART NO.
1	Chain Retainer	73389-07
2	Chain	73388-07
3	Grommet	73387-07
3A	Lift Chain S/A	8321-07
4	Actuating Unit	4A
4A	Actuating Unit S/A	73380-07
6	Seal Disc	33643-07
7	Screws	33333-07
8	Retainer	33466-07
9	Body S/A	47049-07
10	Seal	33410-07
11	Compression Plate	33412-07

33650-0300



The CHICAGO FAUCET SHOPPE

(800) 969-8625 www.chicagofaucetshoppe.com (773) 267-1755

MODEL 2010 - CARLYLE

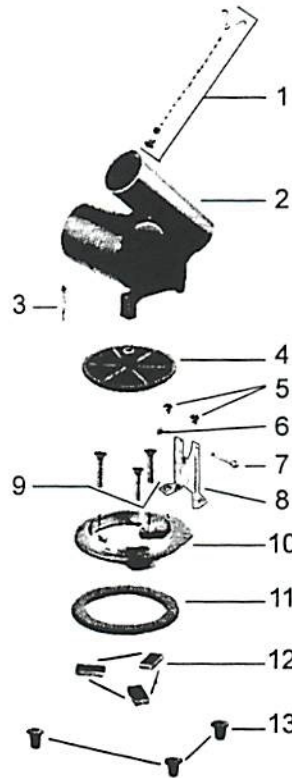
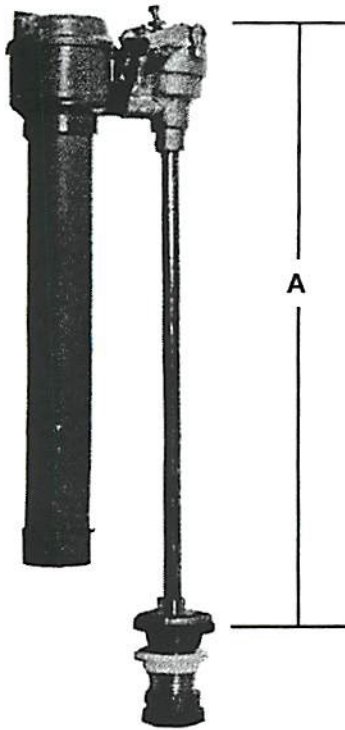
1. AS 3131-0750 - Ballcock
2. AS 47086-0700 - Flush Valve
3. AS 73439-0200 - Tank Lever

FLUSH VALVE 47086-0700

AMERICAN STANDARD GENUINE OBSOLETE BALLCOCKS

PART NUMBER	A (SIZE)
3131-075	Approx. 11 Inches
3137-098	Approx. 11 1/2 Inches
3137-155	Approx. 9 1/4 inches
3136-058	Approx. 13 3/4 Inches

Above water controls include float rod and refill tube, 3/8" coupling nut inlet.



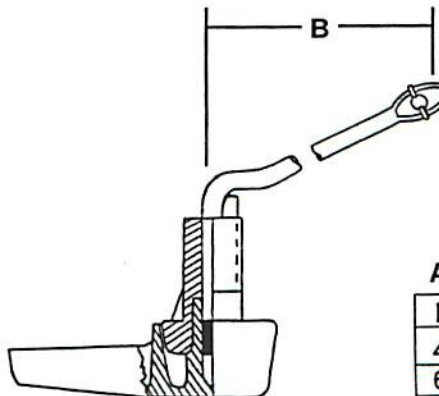
NO.	DESCRIPTION	PART NO.
1	Lift Chain S/A	8321-07
2	Actuating Unit*	721-27
3	Screw for Disc	73382-07
4	Seat Disc	73383-07
5	Support Leg Screw	737-27
6	Nut	732-37
7	Screw	733-37
8	Support Leg	722-27
9	F.H. Screw	729-27
10	Seat	33199-07
11	Seal	715-27
12	Fastening Lug	727-27
13	Bolt Hole Seal	726-27

Sub-assembly
*Float S/A - (Parts 1 thru 8) - #8162-07

REPAIR PARTS FOR ABOVE NUMBERS

12971-09	Kit: Includes Cap And Plunger, Seal, Nylon Seat
70422-07	Cap And Plunger Assembly
73070-07	Seal
73002-07	Nylon Seat
73019-09	Pivot Arm
73018-07	Pivot Pin
1601-07	Float Ball

ORIGINAL EQUIPMENT TANK LEVERS METAL HANDLE, CHROME PLATED, WITH BRASS ARM

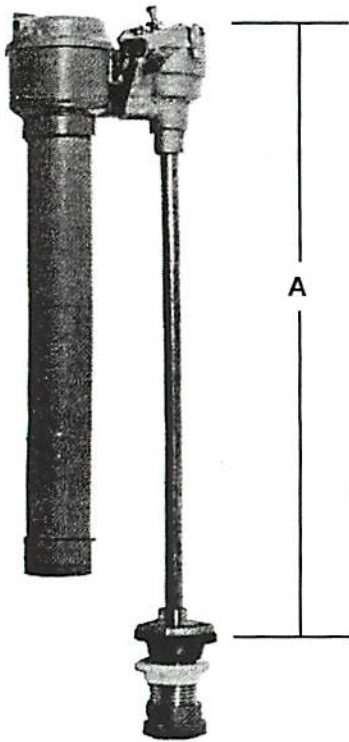


TANK LEVERS FOR AMERICAN STANDARD

B	WITH BRASS ARM
4"	73392-02 REPLACED BY 70437-02 (PLASTIC ARM)
6"	73439-02

MODEL 4024 NEO-HEALTH

- 1. AS N3950 Self-closing valve. Not available complete. Parts only.
- 2. AS N3025 This ballcock has been replaced (see below for size)
- 3. AS 47062-0700 Flush Valve (#5-4)
- 3. AS 70437-0200 Tank Lever (replaced N3075)



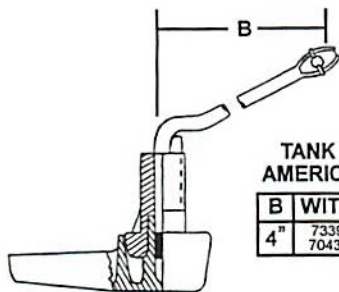
AMERICAN STANDARD GENUINE OBSOLETE BALLCOCKS

PART NUMBER	A (SIZE)
3131-075	Approx. 11 Inches
3137-098	Approx. 11 1/2 Inches
3137-155	Approx. 9 1/4 inches
3136-058	Approx. 13 3/4 Inches

Above water controls include float rod and refill tube, 3/8" coupling nut inlet.

REPAIR PARTS FOR ABOVE NUMBERS

12971-09	Kit: Includes Cap And Plunger, Seal, Nylon Seat
70422-07	Cap And Plunger Assembly
73070-07	Seal
73002-07	Nylon Seat
73019-09	Pivot Arm
73018-07	Pivot Pin
1601-07	Float Ball



TANK LEVERS FOR AMERICAN STANDARD

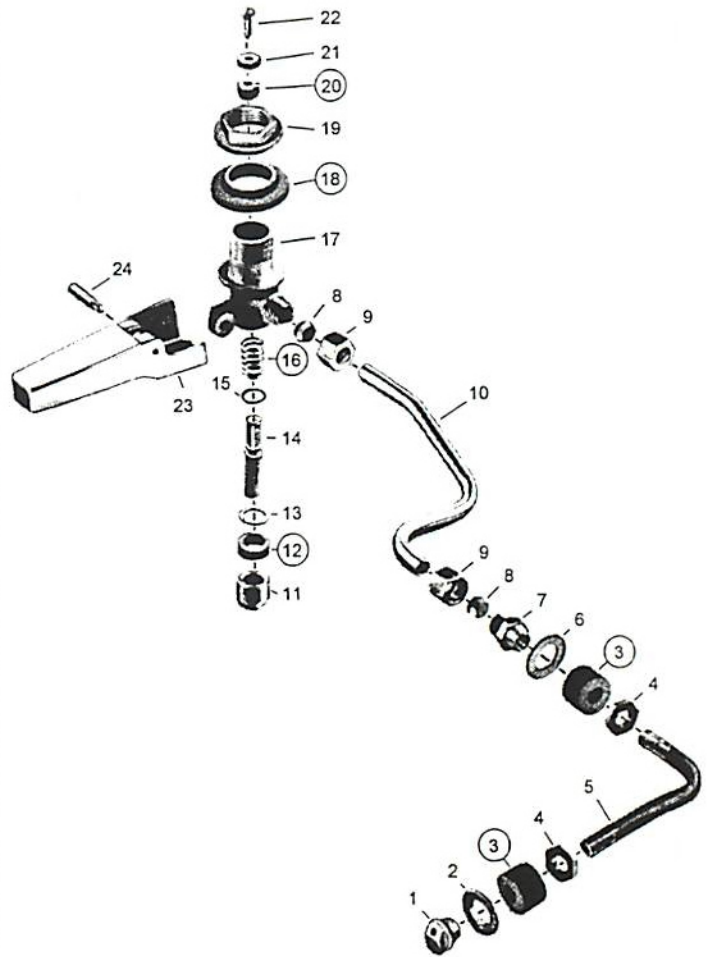
B	WITH BRASS ARM
3"	73392-02 REPLACED BY 70437-02 (PLASTIC ARM)
4"	



FLUSH VALVE 47062-0700



NO.	DESCRIPTION	PART NO.
1	Lift Chain Retainer	73389-07
2	Lift Chain	73388-07
3	Grommet	73387-07
3A	Lift Chain S/A	8321-07
4	Actuating Unit	33642-07
5	Snap-on Seat Disc	33643-07
6	Washer	1039-07
7	Lock Nut	33332-07
8	Washer	34602-07



* Only circled parts are available

NO.	DESCRIPTION	PART NO.	NO.	DESCRIPTION	PART NO.
1	Jet Nut	787-39	13	Packing Washer	779-27
2	Jet Flange	780-29	14	Stem	778-27
3	Expansion Washer	542-17	15	Stem Washer	768-27
4	Nut	776-37	16	Spring	739-47
5	Ell Connection	785-27	17	Valve Body	25374-08
6	Washer	271-17	18	Shank Washer	1028-07
7	Union Connection	25709-08	19	Lock Nut	24998-08
8	Compression Sleeve	1700-07	20	Seat Washer	53-07
9	Compression Nut	1701-07	21	Seat Washer Holder	781-37
10	Supply Tube	784-24	22	Seat Washer Screw	1739-17
11	Stuffing Nut	786-27	23	Handle	114-12
12	Packing	1311-07	24	Handle Pin	783-22

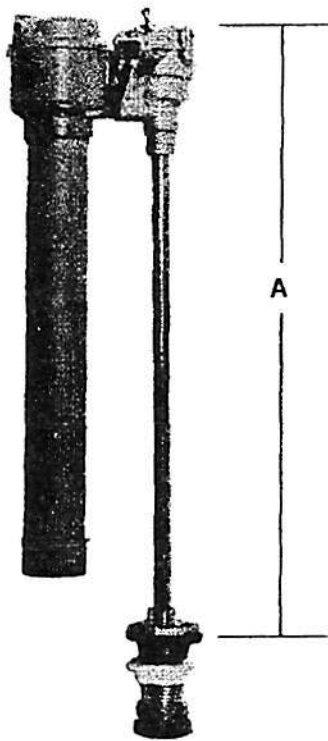
The CHICAGO FAUCET SHOPPE

(800) 969-8625 www.chicagofaucetshoppe.com (773) 267-1755

Models 4040, 4043, 4048

1. AS N3025: This ballcock has been replaced (see below for size)
2. AS N3055: Old style flush valve (no longer available)
Use AS **47088-0700** new style flush valve with trip lever and AS **47060-0700** tank to bowl kit
3. AS N3071: Tank lever (no longer available - use **73439-0200** - 6") See Note
4. AS N3073: Tank lever (no longer available)
5. AS N3075: Tank lever (no longer available)
(use AS **70437-0200** - 4" - plastic arm tank lever included in **47088-0700** flush valve) See Note

Note: The 70437-0200 and 73439-0200 will not work with the N3055. They will only work with the 47088-0700.



AMERICAN STANDARD GENUINE OBSOLETE BALLCOCKS

PART NUMBER	A (SIZE)
3131-075	Approx. 11 Inches
3137-098	Approx. 11 1/2 Inches
3137-155	Approx. 9 3/4 Inches
3136-058	Approx. 13 3/4 Inches

Above water controls include float rod and refill tube, 3/8" coupling nut inlet.

REPAIR PARTS FOR ABOVE NUMBERS

12971-09	Kit. Includes Cap And Plunger, Seal, Nylon Seat
70422-07	Cap And Plunger Assembly
73070-07	Seal
73002-07	Nylon Seat
73019-09	Pivot Arm
73018-07	Pivot Pin
1601-07	Float Bal.



No.	DESCRIPTION	PART NUMBER
1	Grommet	73058-07
2	Stop	73058-07
3	Guide Tube - 11 5/16" Long	73054-07
	Guide Tube - 12 5/16" Long	73055-07
	Guide Tube - 13 5/16" Long	73056-07
	Guide Tube - 14 1/16" Long	73057-07
4	Float S/A - 9 1/32" Long	73060-07
	Float S/A - 9 25/32" Long	73061-07
	Float S/A - 10 21/32" Long	73062-07
	Float S/A - 12 5/32" Long	73063-07
5	Seal	73069-07
6	Body	73050-07
7	Washer	1039-07
8	Lock Nut	73217-07
9	Washer - Soft Washer	73216-07
	Washer - Hard Washer	1039-07

*Circled parts still available

ASSEMBLY INSTRUCTIONS 120

for Part No. 47060-07

1. Place rubber washers under head of bolts and insert through holes in bottom of tank.
2. Place beveled sponge washer on threaded extension of flush valve so that the entire top surface of the washer is in contact with the bottom of the tank.
3. Place tank cushion over both ends of the bolts, carefully positioning so that it does not slip under the beveled washer.
4. Assemble tank to bowl and secure with metal washers and nuts.
5. Connect water control to supply line using enclosed washer and coupling nut.

TIGHTENING INSTRUCTIONS

Pull tank down evenly and level by alternately tightening nuts. A water tight rigid connection is assured when nuts are tight.

AMERICAN STANDARD

Flush Valve
3157.014
47088-07

Replaces N3055
(old style)



The CHICAGO FAUCET SHOPPE

(800) 969-8625 www.chicagofaucetshoppe.com (773) 267-1755

MODEL 4041 (LESS VENT-AWAY) NORWALL

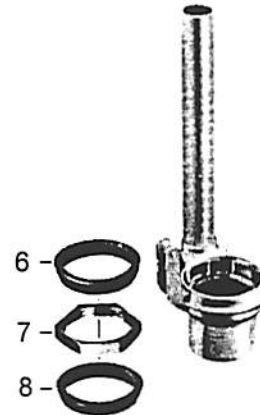
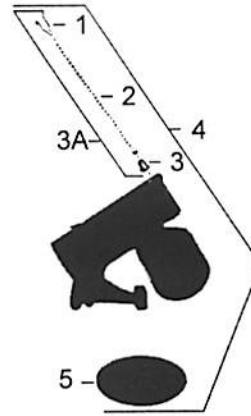
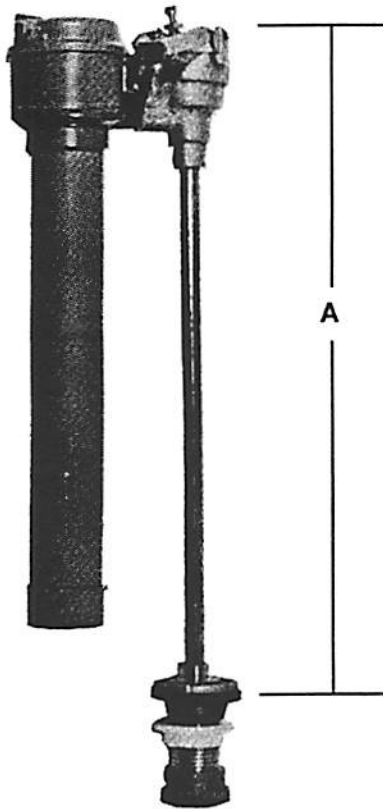
- 1. AS 3131-0750 - Ballcock
- 2. AS 47089-0700 - Flush Valve
- 3. AS 3518-0160 - Tank Lever

**FLUSH VALVE
47089-0700**

**AMERICAN STANDARD
GENUINE OBSOLETE BALLCOCKS**

PART NUMBER	A (SIZE)
3131-075	Approx. 11 Inches
3137-098	Approx. 11 ½ Inches
3137-155	Approx. 9 ¼ inches
3136-058	Approx. 13 ¾ Inches

Above water controls include float rod and refill tube, 3/8" coupling nut inlet.



NO.	DESCRIPTION	PART NO.
1	Lift Chain Retainer	73389-07
2	Lift Chain	73388-07
3	Grommet	73387-07
3A	Lift Chain S/A	8321-07
4	Actuating Unit	33642-07
5	Snap-on Seat Disc	33643-07
6	Washer	1039-07
7	Lock Nut	33332-07
8	Washer	34602-07



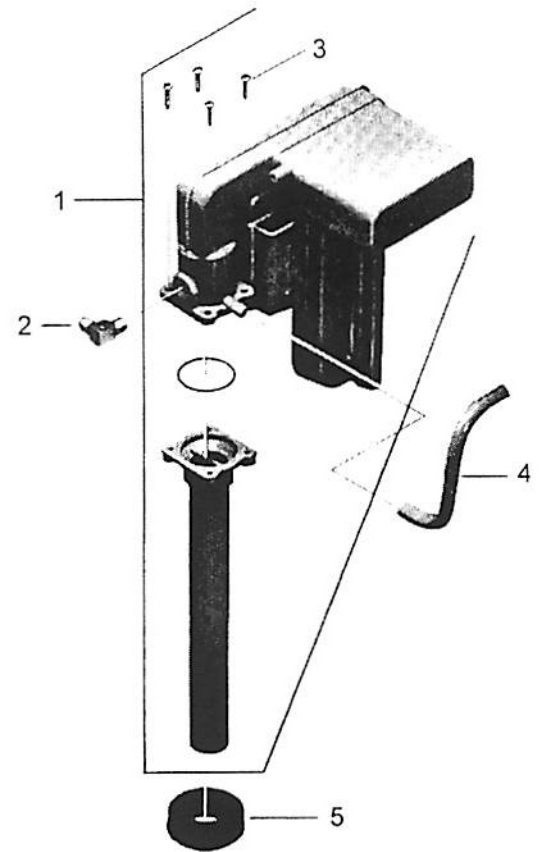
3518-0160 Tank Lever 9¾" Long

REPAIR PARTS FOR ABOVE NUMBERS	
12971-09	Kit: Includes Cap And Plunger, Seal, Nylon Seat
70422-07	Cap And Plunger Assembly
73070-07	Seal
73002-07	Nylon Seat
73019-09	Pivot Arm
73018-07	Pivot Pin
1601-07	Float Ball

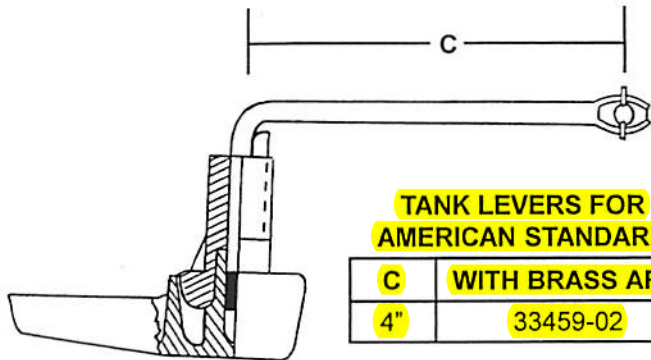
MODEL 4041 (WITH VENT-AWAY)

- 1. AS 3116-1590 - Ballcock
- 2. AS 33459-0200 - Tank Lever
- 3. AS 33488-0700 - Vent-Away
- 4. AS 33455-0700 - Gasket
- 5. AS 47089-0700 - Flush Valve

VENT-AWAY ASSEMBLY 33488-0700



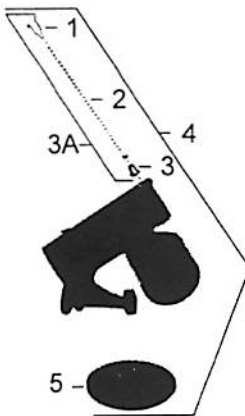
NO.	DESCRIPTION	PART NO.
1	Ventilator S/A	33488-07
2	Male Elbow	33252-07
3	Screws	33253-07
4	Vacuum Tube	33457-07
5	Gasket	33455-07



TANK LEVERS FOR AMERICAN STANDARD

C	WITH BRASS ARM
4"	33459-02

FLUSH VALVE 47089-0700



NO.	DESCRIPTION	PART NO.
1	Lift Chain Retainer	73389-07
2	Lift Chain	73388-07
3	Grommet	73387-07
3A	Lift Chain S/A	8321-07
4	Actuating Unit	33642-07
5	Snap-on Seat Disc	33643-07
6	Washer	1039-07
7	Lock Nut	33332-07
8	Washer	34602-07



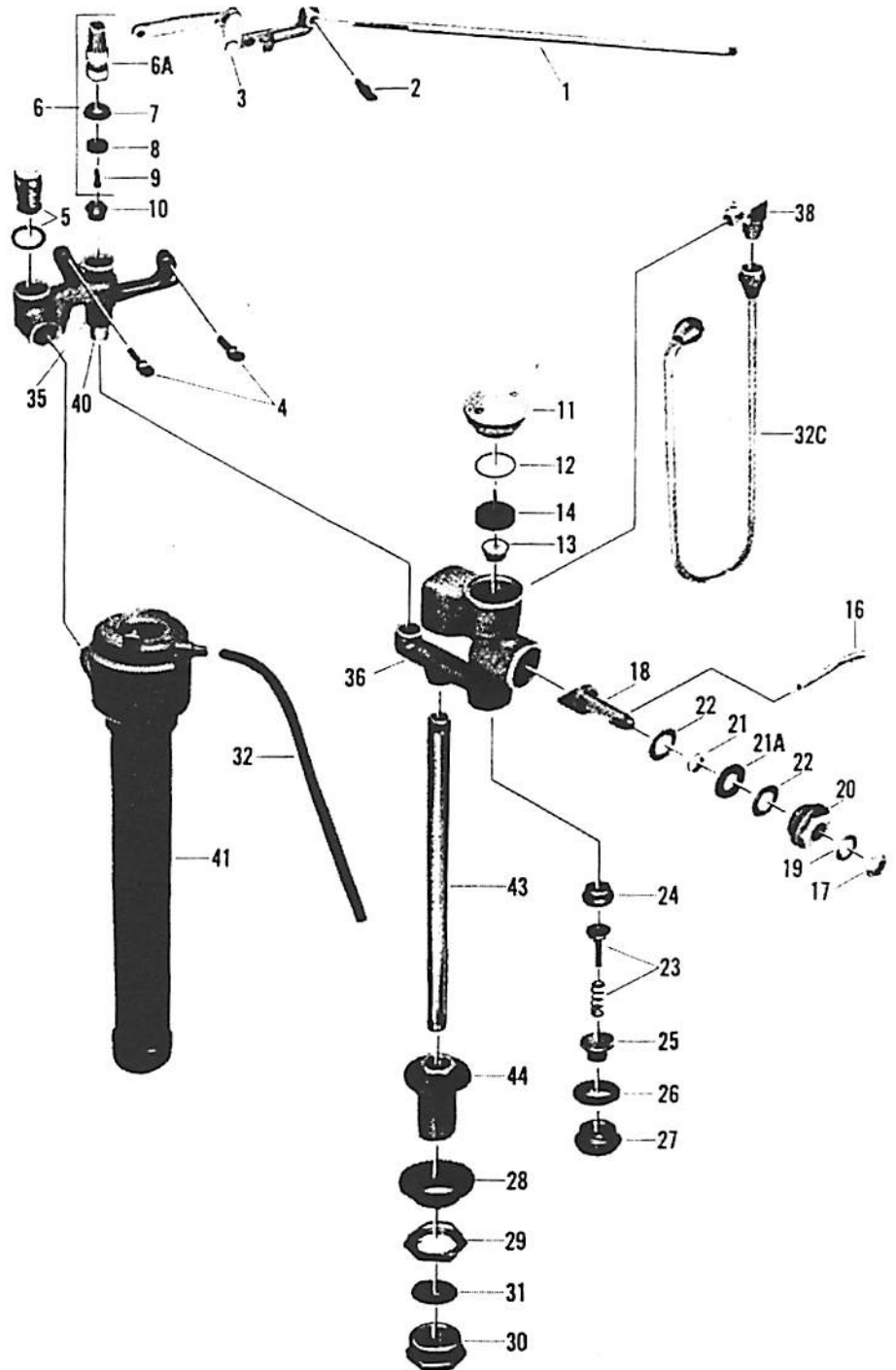
The CHICAGO FAUCET SHOPPE

(800) 969-8625 www.chicagofaucetshoppe.com (773) 267-1755

MODEL 4041 (WITH VENT-AWAY) NORWALL

Norwall 2090 V
3116.159
(N 3045-5)

NO	DESCRIPTION	PART NO.
1	Float Rod	33251-0700
2	Float Rod Thumb Screw	558-0700
3	Lever S/A	10740-0700
4	Thumb Screws (2)	557-1700
5	Volume Regulator S/A	10765-0070A
6	Plunger S/A (Parts 6A, 7, 8, 9)	8339-0700
7	Plunger Washer	1853-0700
8	Stem Washer	233-1700
9	Screw	190-0700
10	Seat	1663-0700
11	Cap ** KIT ONLY **	3116-1590
12	Washer	866-2700
13	Seat	33542-0800
14	Float	25670-0700
16	Arm	33476-0700
17	Locknut	79-1700
18	Stem	33454-0700
19	Washer	113-1700
20	Packing Nut	33450-0700
21	Washer	64705-0700
21A	Packing Seal	64706-0700
22	Packing Washer (2)	64704-0700
23	Valve Stem S/A	12004-0700
24	Valve Seat	12002-0900
25	Screen	12269-0700
26	Gasket	12007-0700
27	Plug	12268-0700
28	Shank Washer	1028-0700
29	Shank Locknut ** KIT ONLY **	3116-1590
30	Coupling Nut	226-4700
31	Coupling Washer	125-0700
32	Refill Tube	72541-0070A
32C	Supply Tube S/A	33442-0700
35	Body ** KIT ONLY **	3116-1590
36	Body ** KIT ONLY **	3116-1590
38	Male Elbow	33252-0700
40	Nipple ** KIT ONLY **	3116-1590
41	Back Flow Preventer ** KIT ONLY **	3116-1590
43	Shank Extension ** KIT ONLY **	3116-1590
44	Shank	32994-0700



10551-0070A - Lever W/Screws #2-4

70620-0700 - Vacuum Breaker Kit #11-14

67652-0070A - Diverter Stem Kit #16-22

67653-0070A - Diverter Valve Kit #23-27

12981-0070A - Plastic Plunger Repair Kit #6-10. See note.

NOTE: This ballcock is currently supplied with a plastic plunger. If you want the Brass Plunger Kit #6-10 use Part Number 12981-0900.

MODEL 4049 (LESS VENT-AWAY) CADET AND COMPTON

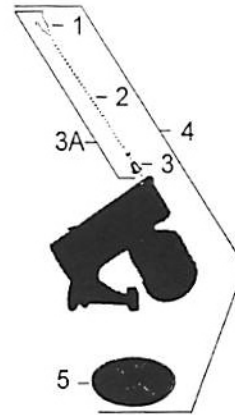
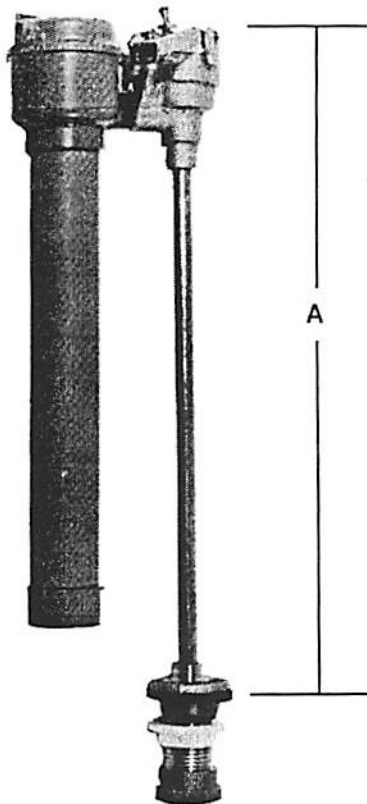
- 1. AS 3137-1550 - Ballcock
- 2. AS 47089-0700 - Flush Valve
- 3. AS 70437-0200 - Tank Lever

**FLUSH VALVE
47089-0700**

**AMERICAN STANDARD
GENUINE OBSOLETE BALLCOCKS**

PART NUMBER	A (SIZE)
3131-075	Approx. 11 Inches
3137-098	Approx. 11 ½ Inches
3137-155	Approx. 9 ¼ inches
3136-058	Approx. 13 ¾ Inches

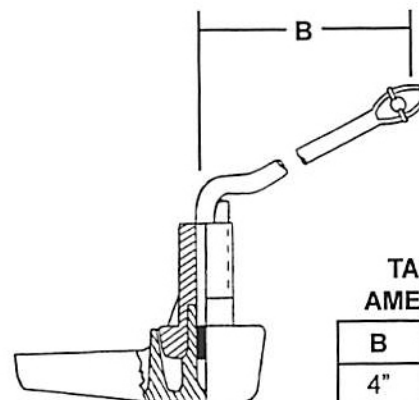
Above water controls include float rod and refill tube, 3/8" coupling nut inlet.



NO.	DESCRIPTION	PART NO.
1	Lift Chain Retainer	73389-07
2	Lift Chain	73388-07
3	Grommet	73387-07
3A	Lift Chain S/A	8321-07
4	Actuating Unit	33642-07
5	Snap-on Seat Disc	33643-07
6	Washer	1039-07
7	Lock Nut	33332-07
8	Washer	34602-07

REPAIR PARTS FOR ABOVE NUMBERS

12971-09	Kit: Includes Cap And Plunger, Seal, Nylon Seat
70422-07	Cap And Plunger Assembly
73070-07	Seal
73002-07	Nylon Seat
73019-09	Pivot Arm
73018-07	Pivot Pin
1601-07	Float Ball



**TANK LEVERS FOR
AMERICAN STANDARD**

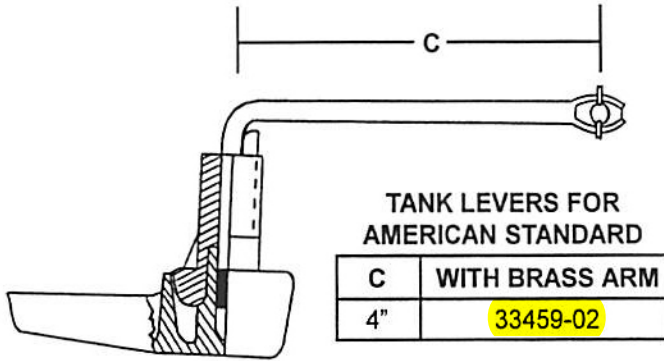
B	WITH BRASS ARM
4"	73392-02 REPLACED BY 70437-02 (PLASTIC ARM)

The CHICAGO FAUCET SHOPPE

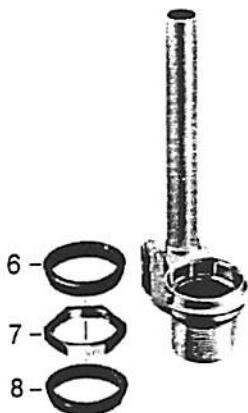
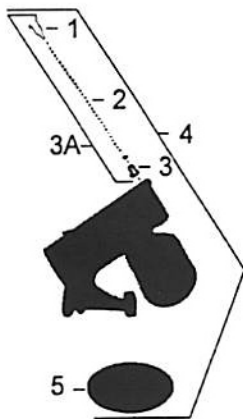
(800) 969-8625 www.chicagofaucetshoppe.com (773) 267-1755

MODEL 4049 (WITH VENT-AWAY)

- 1. AS 3116-1670 - Ballcock
- 2. AS 33459-0200 - Tank Lever
- 3. AS 33488-0700 - Vent-Away
- 4. AS 33455-0700 - Gasket
- 5. AS 47089-0700 - Flush Valve

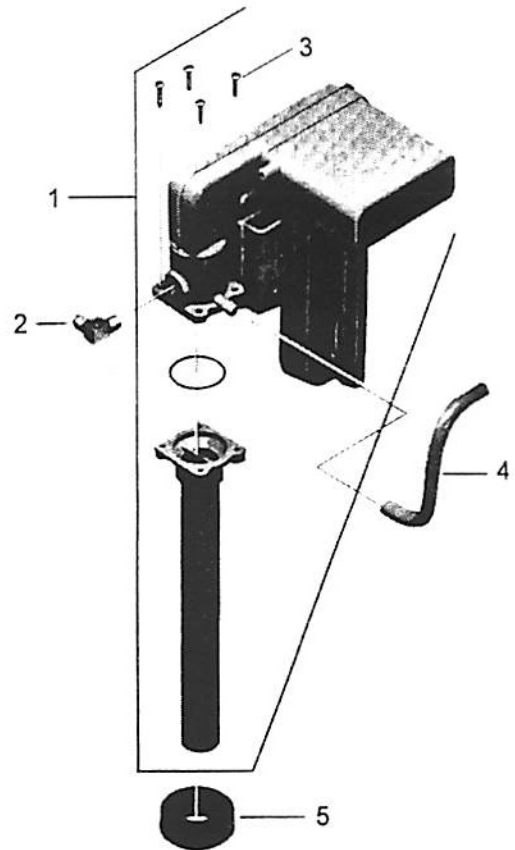


FLUSH VALVE 47089-0700



NO.	DESCRIPTION	PART NO.
1	Lift Chain Retainer	73389-07
2	Lift Chain	73388-07
3	Grommet	73387-07
3A	Lift Chain S/A	8321-07
4	Actuating Unit	33642-07
5	Snap-on Seat Disc	33643-07
6	Washer	1039-07
7	Lock Nut	33332-07
8	Washer	34602-07

VENT-AWAY ASSEMBLY 33488-0700

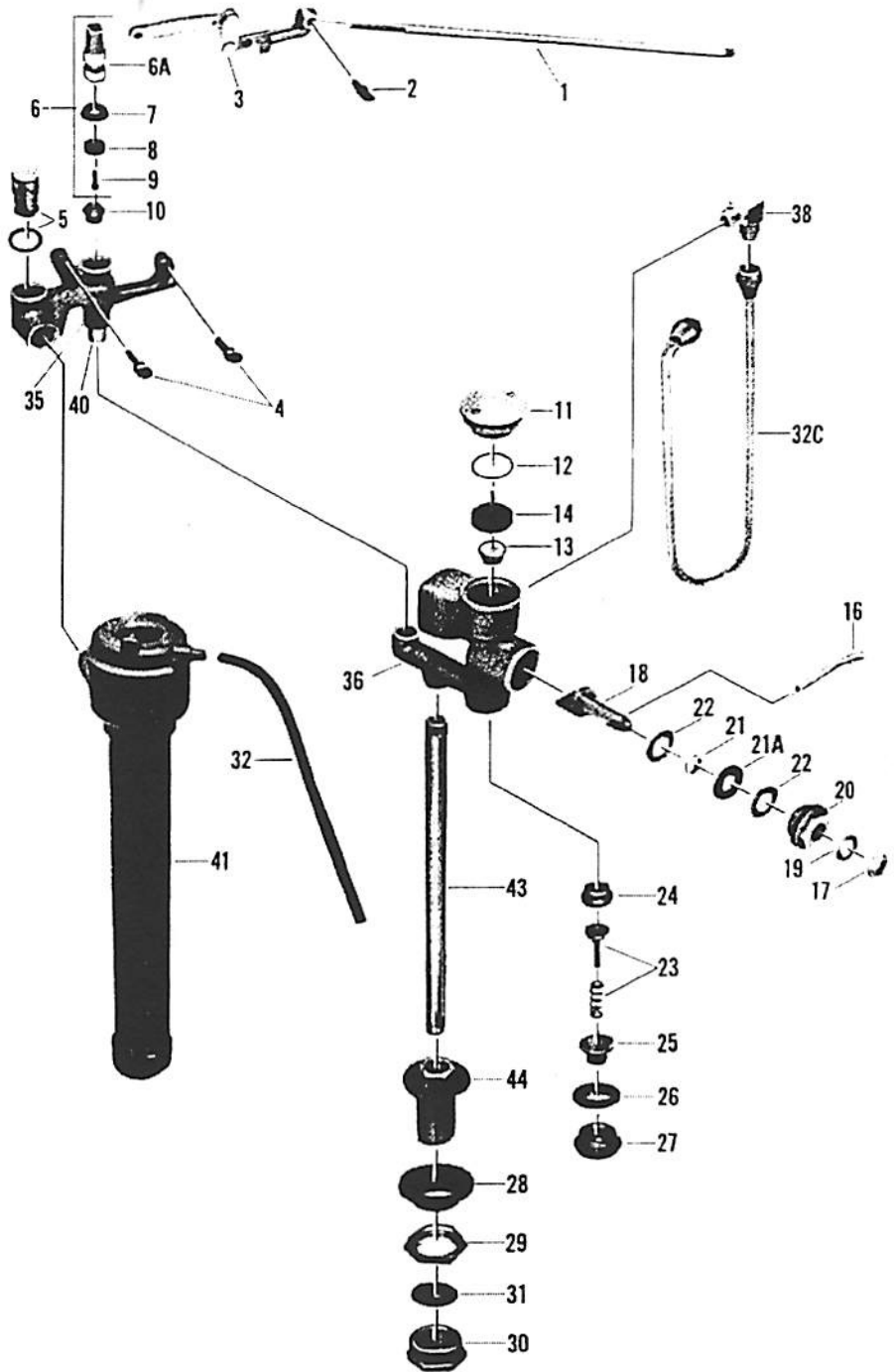


NO.	DESCRIPTION	PART NO.
1	Ventilator S/A	33488-07
2	Male Elbow	33252-07
3	Screws	33253-07
4	Vacuum Tube	33457-07
5	Gasket	33455-07

MODEL 4049 (WITH VENT-AWAY) GLENWALL

Glenwall 2093 V
3116.167
(N 3045 V-7)

NO	DESCRIPTION	PART NO.
1	Float Rod	33448-0700
2	Float Rod Thumb Screw	558-0700
3	Lever S/A	10740-0700
4	Thumb Screws (2)	557-1700
5	Volume Regulator S/A	10765-0070A
6	Plunger S/A (Parts 6A, 7, 8, 9)	8339-0700
7	Plunger Washer	1853-0700
8	Stem Washer	233-1700
9	Screw	190-0700
10	Seat	1663-0700
11	Cap ** KIT ONLY **	3116-1670
12	Washer	866-2700
13	Seat	33542-0800
14	Float	25670-0700
16	Arm	33453-0700
17	Locknut	79-1700
18	Stem	33454-0700
19	Washer	113-1700
20	Packing Nut	33450-0700
21	Washer	64705-0700
21A	Packing Seal	64706-0700
22	Packing Washer (2)	64704-0700
23	Valve Stem S/A	12004-0700
24	Valve Seat	12002-0900
25	Screen	12269-0700
26	Gasket	12007-0700
27	Plug	12268-0700
28	Shank Washer	1028-0700
29	Shank Locknut ** KIT ONLY **	3116-1670
30	Coupling Nut	226-4700
31	Coupling Washer	125-0700
32	Refill Tube	70452-0700
32C	Supply Tube S/A	33442-0700
35	Body ** KIT ONLY **	3116-1670
36	Body ** KIT ONLY **	3116-1670
38	Male Elbow	33252-0700
40	Nipple ** KIT ONLY **	3116-1670
41	Back Flow Preventer ** KIT ONLY **	3116-1670
43	Shank Extension	33186-0700
44	Shank	32994-0700



10551-0070A - Lever W/Screws #2-4

70620-0700 - Vacuum Breaker Kit #11-14

67653-0070A - Diverter Valve Kit #23-27

12981-0070A - Plastic Plunger Repair Kit #6-10. See note.

NOTE: This ballcock is currently supplied with a plastic plunger. If you want the Brass Plunger Kit #6-10 use Part Number 12981-0900.

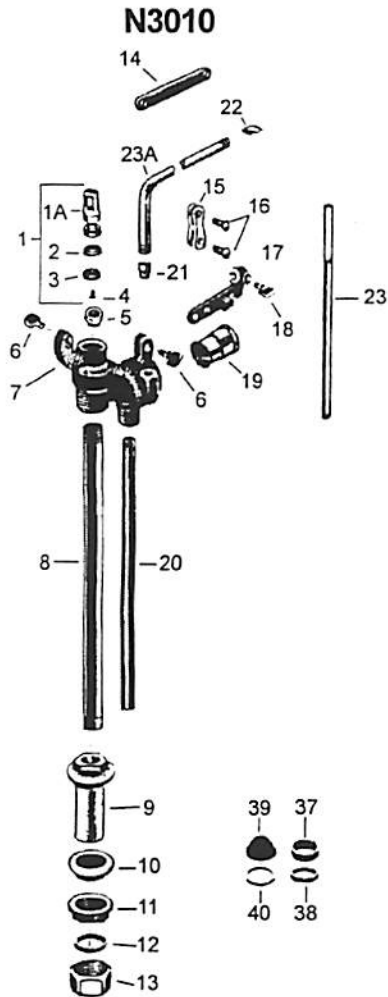
The CHICAGO FAUCET SHOPPE

(800) 969-8625 www.chicagofaucetshoppe.com (773) 267-1755

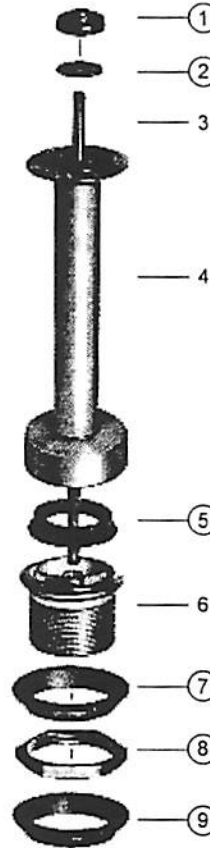
MODELS 4050, 4054

- 1. AS N3010: Brass Ballcock
- 2. AS N3055: Old style flush valve (no longer available)
Use AS 47088-0700 new style flush valve with trip lever.
- 3. AS N3075: Tank lever (no longer available)
(use AS 70437-0200 - 4" - plastic arm tank lever included in 47088-0700 flush valve) See Note
- 4. AS 47018-0200: 2" x 4" x 6" Elbow Tank Connection

Note: The 70437-0200 will not work with the N3055. It will only work with the 47088-0700.

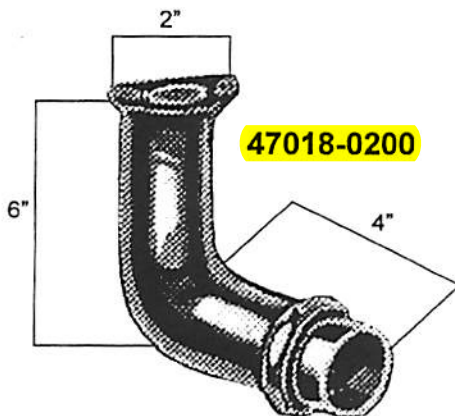
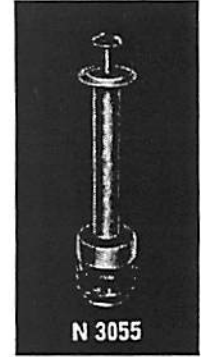


No.	DESCRIPTION	PART NUMBER
1	Plunger S/A (includes #1-4)	8339-07
1A	Plunger ** KIT ONLY **	33246-07
2	"U" Cup	1853-07
3	Seat Washer	233-17
4	Screw	150-07
5	Seat (nylon)	1852-07
6	Thumb Screw	557-17
7	Body ** KIT ONLY **	33259-07
8	Shank Extension 7.57 Long ** KIT ONLY **	33263-07
9	Shank	32974-07
10	Shank Washer	1028-07
11	Locknut	11383-07
12	Coupling Washer	125-07
13	Coupling Nut	226-47
14	Plunger Lever	33104-07
15	Link	1085-27
16	Rivet	1008-17
17	Rod Lever	32454-07
18	Thumb Screw	558-07
19	Volume Control S/A	10756-07
20	Hush Tube 6.94 Long ** KIT ONLY **	33249-07
21	Adaptor ** KIT ONLY **	30091-07
22	Cup	72989-07
23	Float Rod 8 1/2" Long	33230-0070A
23A	Refill Tube	72541-0070A
37	3/8" S.P.S. S.J. Washer	117-07
38	3/8" S.P.S. S.J. Friction Washer	359-07
39	1/2" O.D. S.J. Washer	411-37
40	1/2" O.D. S.J. Friction Washer	73030-07
	Lever Assembly (includes #14 - 17)	10740-07



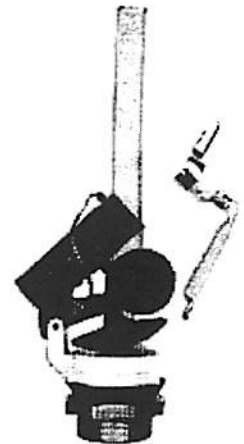
No.	DESCRIPTION	PART NUMBER
1	Grommet	73058-07
2	Stop	73059-07
3	Guide Tube - 11 9/16" Long	73054-07
	Guide Tube - 12 5/16" Long	73055-07
	Guide Tube - 13 3/16" Long	73056-07
	Guide Tube - 14 11/16" Long	73057-07
4	Float S/A - 9 1/32" Long	73060-07
	Float S/A - 9 25/32" Long	73061-07
	Float S/A - 10 21/32" Long	73062-07
	Float S/A - 12 5/32" Long	73063-07
5	Seal	73069-07
6	Body	73050-07
7	Washer	1039-07
8	Lock Nut	73217-07
9	Washer - Soft Washer	73216-07
	Washer - Hard Washer	1039-07

*Circled parts still available



Flush Valve
3157.014
47088-07

Replaces N3055
(old style)



MODEL 4052 (LESS VENT-AWAY) COMPACT

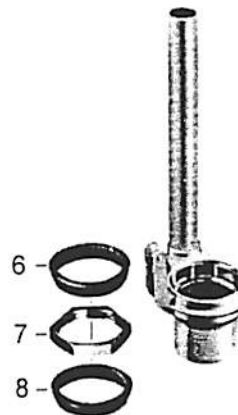
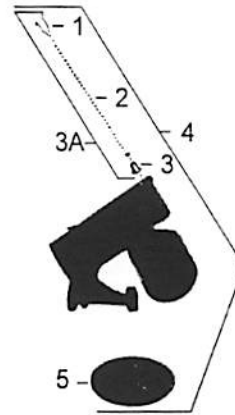
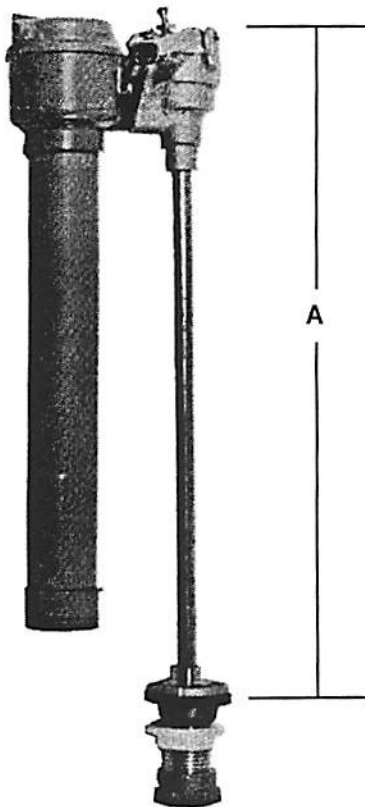
- 1. AS 3137-0980 - Ballcock
- 2. AS 47089-0700 - Flush Valve
- 3. AS 70437-0200 - Tank Lever

FLUSH VALVE
47089-0700

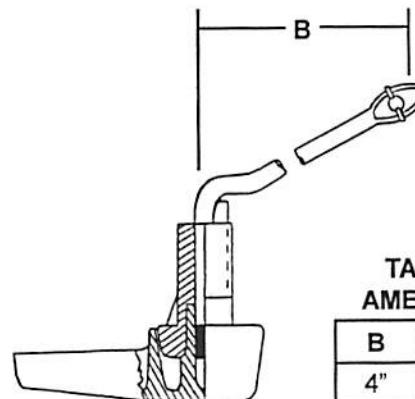
AMERICAN STANDARD
GENUINE OBSOLETE BALLCOCKS

PART NUMBER	A (SIZE)
3131-075	Approx. 11 Inches
3137-098	Approx. 11 ½ Inches
3137-155	Approx. 9 ¼ inches
3136-058	Approx. 13 ¾ Inches

Above water controls include float rod and refill tube, 3/8" coupling nut inlet.



NO.	DESCRIPTION	PART NO.
1	Lift Chain Retainer	73389-07
2	Lift Chain	73388-07
3	Grommet	73387-07
3A	Lift Chain S/A	8321-07
4	Actuating Unit	33642-07
5	Snap-on Seat Disc	33643-07
6	Washer	1039-07
7	Lock Nut	33332-07
8	Washer	34602-07



**TANK LEVERS FOR
AMERICAN STANDARD**

B	WITH BRASS ARM
4"	73392-02 REPLACED BY 70437-02 (PLASTIC ARM)

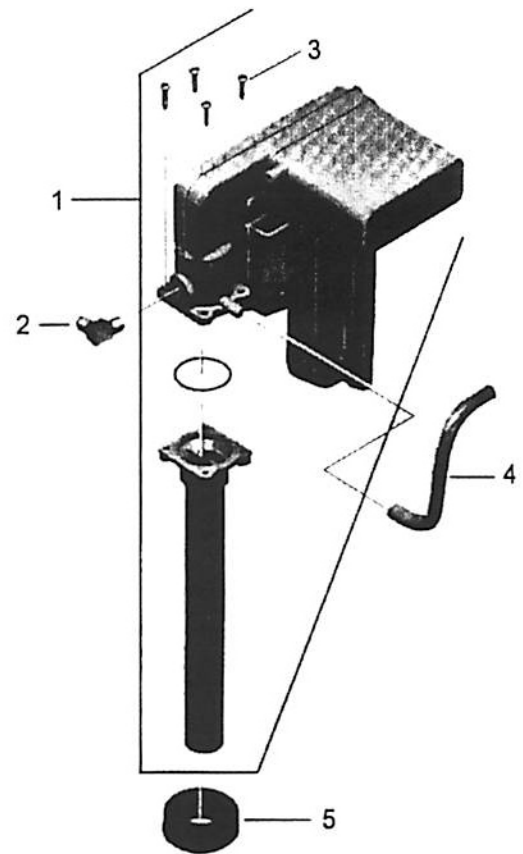
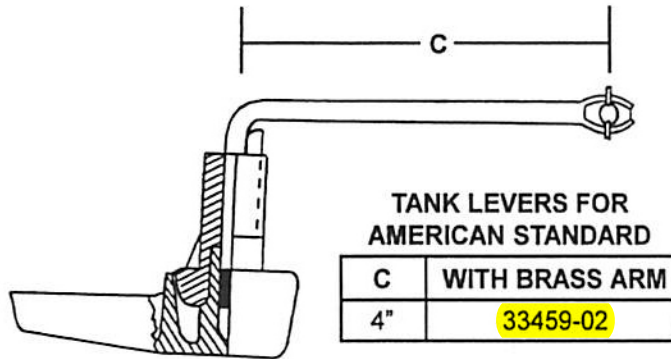
REPAIR PARTS FOR ABOVE NUMBERS

12971-09	Kit: Includes Cap And Plunger, Seal, Nylon Seat
70422-07	Cap And Plunger Assembly
73070-07	Seal
73002-07	Nylon Seat
73019-09	Pivot Arm
73018-07	Pivot Pin
1601-07	Float Ball

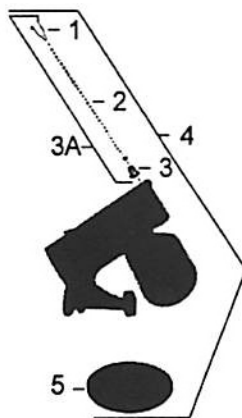
MODEL 4052 (WITH VENT-AWAY)

- 1. AS 3117-1810 - Ballcock
- 2. AS 33459-0200 - Tank Lever
- 3. AS 33488-0700 - Vent-Away
- 4. AS 33455-0700 - Gasket
- 5. AS 47089-0700 - Flush Valve

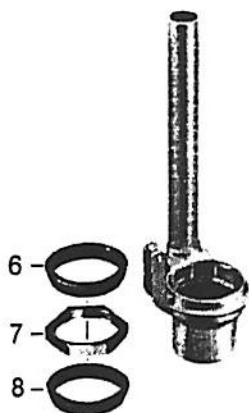
VENT-AWAY ASSEMBLY 33488-0700



FLUSH VALVE 47089-0700



NO.	DESCRIPTION	PART NO.
1	Ventilator S/A	33488-07
2	Male Elbow	33252-07
3	Screws	33253-07
4	Vacuum Tube	33457-07
5	Gasket	33455-07

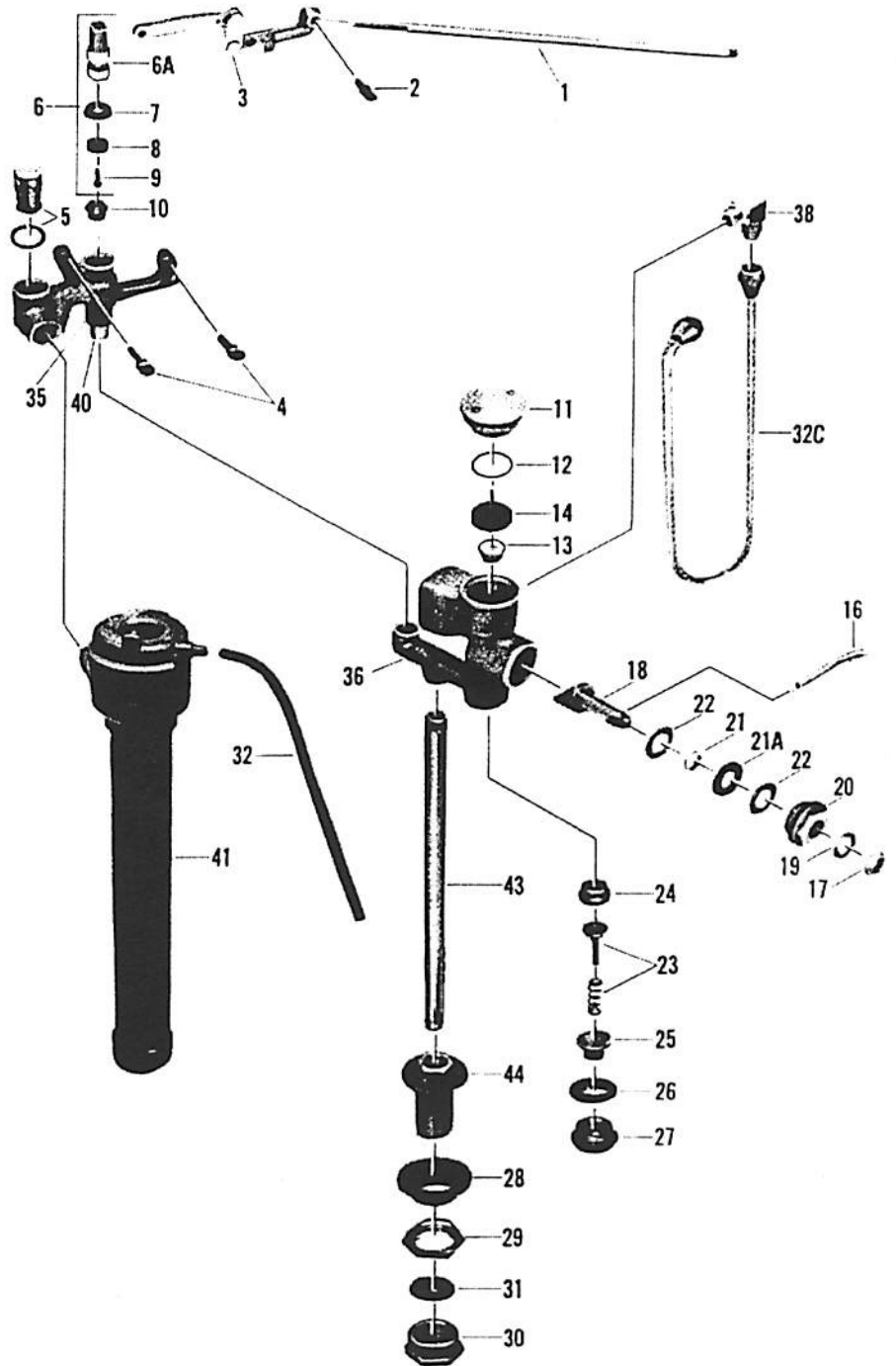


NO.	DESCRIPTION	PART NO.
1	Lift Chain Retainer	73389-07
2	Lift Chain	73388-07
3	Grommet	73387-07
3A	Lift Chain S/A	8321-07
4	Actuating Unit	33642-07
5	Snap-on Seat Disc	33643-07
6	Washer	1039-07
7	Lock Nut	33332-07
8	Washer	34602-07

MODEL 4052 (WITH VENT-AWAY) COMPACT

Compact 2053 V
3117.181
(N 3046 V-702)

NO	DESCRIPTION	PART NO.
1	Float Rod	82-2700
2	Float Rod Thumb Screw	558-0700
3	Lever S/A	10740-0700
4	Thumb Screws (2)	557-1700
5	Volume Regulator S/A	10765-0070A
6	Plunger S/A (Parts 6A, 7, 8, 9)	8339-0700
7	Plunger Washer	1853-0700
8	Stem Washer	233-1700
9	Screw	190-0700
10	Seat	1663-0700
11	Cap ** KIT ONLY **	3117-1810
12	Washer	866-2700
13	Seat	33542-0800
14	Float	25670-0700
16	Arm	33513-0700
17	Locknut	79-1700
18	Stem	33454-0700
19	Washer	113-1700
20	Packing Nut	33450-0700
21	Washer	64705-0700
21A	Packing Seal	64706-0700
22	Packing Washer (2)	64704-0700
23	Valve Stem S/A	12004-0700
24	Valve Seat	12002-0900
25	Screen	12269-0700
26	Gasket	12007-0700
27	Plug	12268-0700
28	Shank Washer	1028-0700
29	Shank Locknut ** KIT ONLY **	3117-1810
30	Coupling Nut	226-4700
31	Coupling Washer	125-0700
32	Refill Tube	72541-0070A
32C	Supply Tube S/A	33442-0700
35	Body ** KIT ONLY **	3117-1810
36	Body ** KIT ONLY **	3117-1810
38	Male Elbow	33252-0700
40	Nipple ** KIT ONLY **	3117-1810
41	Back Flow Preventer ** KIT ONLY **	3117-1810
43	Shank Extension	33186-0700
44	Shank	32994-0700



10551-0070A - Lever W/Screws #2-4

70620-0700 - Vacuum Breaker Kit #11-14

67653-0070A - Diverter Valve Kit #23-27

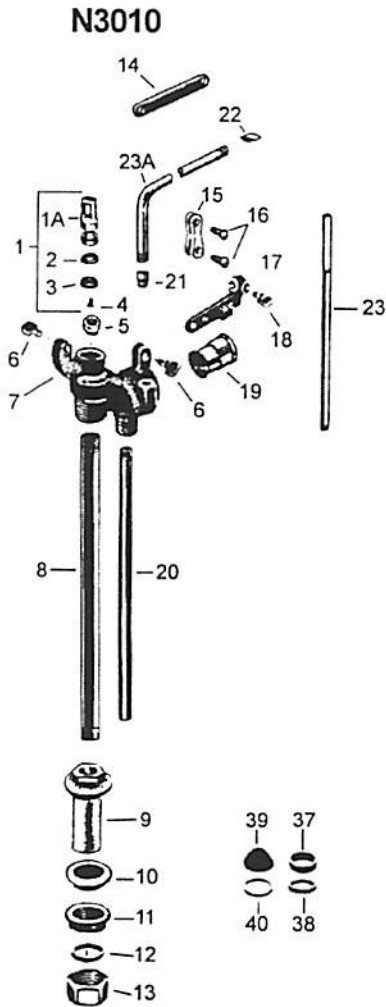
12981-0070A - Plastic Plunger Repair Kit #6-10. See note.

NOTE: This ballcock is currently supplied with a plastic plunger. If you want the Brass Plunger Kit #6-10 use Part Number 12981-0900.

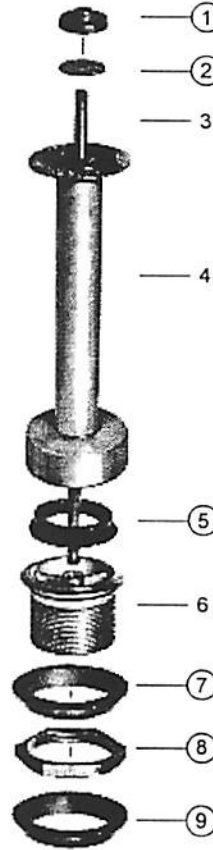
MODEL 4070

1. AS N3010: Brass Ballcock
2. AS N3055: Old style flush valve (no longer available)
Use AS 47088-0700 new style flush valve with trip lever.
3. AS N3075: Tank lever (no longer available)
(use AS 70437-0200 - 4" - plastic arm tank lever included in 47088-0700 flush valve) See Note
4. AS 47553-0020A: 2" x 6" x 1 1/2" Offset Tank Connection

Note: The 70437-0200 will not work with the N3055. It will only work with the 47088-0700.

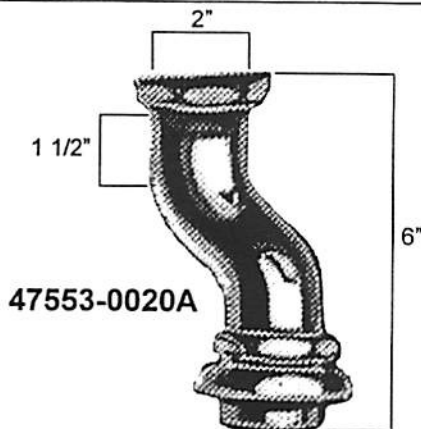
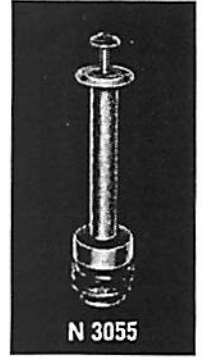


No.	DESCRIPTION	PART NUMBER
1	Plunger S/A (includes #1-4)	8339-07
1A	Plunger ** KIT ONLY **	33246-07
2	"U" Cup	1853-07
3	Seat Washer	233-17
4	Screw	190-07
5	Seat (nylon)	1852-07
6	Thumb Screw	557-17
7	Body ** KIT ONLY **	N3010
8	Shank Extension 7.57 Long ** KIT ONLY **	N3010
9	Shank	32974-07
10	Shank Washer	1028-07
11	Locknut	11383-07
12	Coupling Washer	125-07
13	Coupling Nut	226-47
14	Plunger Lever	33104-07
15	Link	1085-27
16	Rivet	1008-17
17	Rod Lever	32454-07
18	Thumb Screw	558-07
19	Volume Control S/A	10756-07
20	Hush Tube 6.94 Long ** KIT ONLY **	N3010
21	Adaptor ** KIT ONLY **	N3010
22	Cup	72989-07
23	Float Rod 8 1/2" Long	33230-0070A
23A	Roll Tube	72541-0070A
37	3/8" S.P.S. S.J. Washer	117-07
38	3/8" S.P.S. S.J. Friction Washer	359-07
39	1/2" O.D. S.J. Washer	411-37
40	1/2" O.D. S.J. Friction Washer	73030-07
	Lever Assembly (includes #14 - 17)	10740-07



No.	DESCRIPTION	PART NUMBER
1	Grommet	73056-07
2	Stop	73055-07
3	Guide Tube - 11 9/16" Long	73054-07
	Guide Tube - 12 5/16" Long	73055-07
	Guide Tube - 13 3/16" Long	73056-07
	Guide Tube - 14 11/16" Long	73057-07
4	Float S/A - 9 1/32" Long	73060-07
	Float S/A - 9 25/32" Long	73061-07
	Float S/A - 10 21/32" Long	73062-07
	Float S/A - 12 5/32" Long	73063-07
5	Seal	73069-07
6	Body	73050-07
7	Washer	1039-07
8	Lock Nut	73217-07
9	Washer - Soft Washer	73216-07
	Washer - Hard Washer	1039-07

*Circled parts still available



Flush Valve
3157.014
47088-07

Replaces N3055
(old style)

