



For ordering information,
please visit:
www.chicagofaucetshoppe.com
(800) 969-8625

C-134/234 Freezeless Wall Hydrant

Original Heavy Duty Style



- Residential
- Freezeless



Application

Prier C-134 provides a year round source of water to areas of structures that are subject to freezing temperatures. The hydrant valve is connected to the supply piping in the heated portion of the structure, eliminating the possibility of freezing. Ordering the C-234 gives you the same style hydrant but with a vandalproof extended lockshield with operating key.

The Prier C-134 is the original freezeless hydrant that is made in the same heavy pattern fashion that made it famous. It is available from stock in lengths from Close Coupled to 24", longer sizes are available on request.

Features

- Integral Cast Flange with built-in drainage pitch
- Enclosed screwholes easily secure mounting screws
- Solid Brass Body, Valve Stem Cap, Seat and Stem Ends
- Satin Nickel Plated Body maintains nice finish indefinitely
- Stainless Steel Seat Washer Screw & Handle Screw
- Powder Coated Cast Aluminum Handle
- Full Circle ACME Threads secure Stem and Seat End
- Lock Shield Cap for stronger valve design
- AFG Teflon with Graphite Packing for easy maintenance
- Standard "OO" Size Seat Washer
- Recessed Spout Aligning Lug

Ordering

C-134D10

Operator
1-Handle Operated
2-Vandalproof Lockshield

Inlet
D-1/2" MPT x 1/2" SWT
F-3/4" MPT x 3/4" SWT
K-1/2" Kitec Pex
R-1/2" Everloc by Rehau
T-3/4" MPT x 1/2" FPT
W-1/2" Wirsbo Pex
X-1/2" Crimp Pex

Length
CC-Close Coupled
04-4" Insertion
06-6" Insertion
08-8" Insertion
10-10" Insertion
12-12" Insertion
14-14" Insertion
18-18" Insertion
24-24" Insertion
XX-Special Size

Inlet Styles

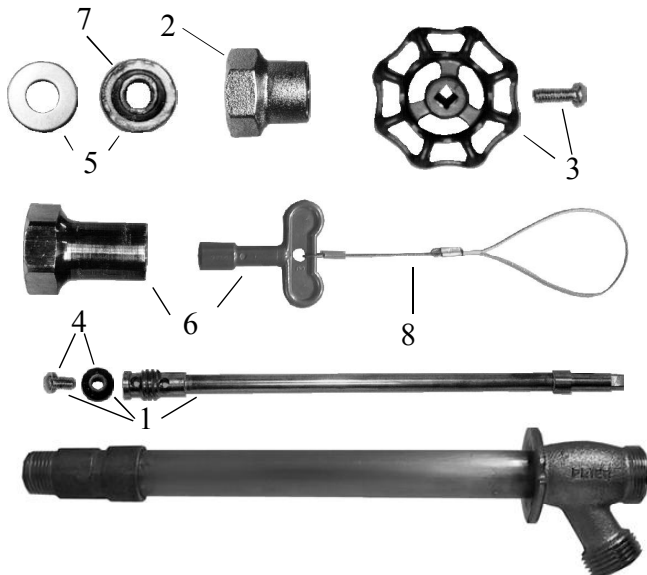
D Style 1/2" MPT x 1/2" SWT	
F Style 3/4" Female SWT	
K Style 1/2" Kitec Pex	
R Style 1/2" Everloc by Rehau	
T Style 3/4" MPT x 1/2" FPT	
W Style 1/2" Wirsbo Pex	
X Style 1/2" PEX	

For ordering information,
Please visit:
www.chicagofaucetshoppe.com
(800) 969-8625



C-134/234

Parts for C-134/234 Freezeless Wall Hydrants



ID	Part No.	Description
1,4	Stem Assembly	See Chart Below
2	300-1008	Valve Stem Cap
3	C-134K T-805	Oval Handle & Screw Kit
4	C-134K T-802	Seat Washer (OO Beveled) Replacement Kit
5	C-134K T-803	Stem Packing Replacement Kit
5,6	C-134K T-804	Loose Key Conversion Kit
7	390-1001	Stem Packing Only
8	C-108K T-808	Oval Style Key on Lanyard
3,4,5	C-134K T-807	C-134 Overhaul Kit

Replacement Stems for C-134/234 Hydrants

"A" Dimension "A" Dimension is: $\frac{9}{16}$ " for B, C & D Styles
 $\frac{1}{2}$ " for E Style



- A Style**-Obsolete, available from approximately 1945-1954
- B Style**-Available from approximately 1954-1961
- C Style**-Available from approximately 1961-1963
- D Style**-Available from approximately 1963-1972
- E Style**-Available from approximately 1972-Present

C-134 Nominal Stem Length

	CC	4"	6"	8"	10"	12"	14"
B	n/a	$8\frac{1}{16}$ "	$10\frac{1}{16}$ "	$12\frac{1}{16}$ "	$14\frac{1}{16}$ "	$16\frac{1}{16}$ "	$18\frac{1}{16}$ "
C	n/a	$7\frac{1}{16}$ "	$9\frac{1}{16}$ "	$11\frac{1}{16}$ "	$13\frac{1}{16}$ "	$15\frac{1}{16}$ "	$17\frac{1}{16}$ "
D	n/a	$7\frac{5}{8}$ "	$9\frac{5}{8}$ "	$11\frac{5}{8}$ "	$13\frac{5}{8}$ "	$15\frac{5}{8}$ "	$17\frac{5}{8}$ "
E	$5\frac{1}{16}$ "	$7\frac{9}{16}$ "	$9\frac{9}{16}$ "	$11\frac{9}{16}$ "	$13\frac{9}{16}$ "	$15\frac{9}{16}$ "	$17\frac{9}{16}$ "

Prier Universal Stems are replacement stems for any size from 4" to 14". They require cutting the rod to proper length and soldering the brass stem end to the rod as directed in instructions.

Part No.	Style	Description	Part No.	Style	Description
C-134BS04	B	4" B Style Stem for C-134 $8\frac{1}{16}$ " OAL	C-134DS06	D	6" D Style Stem for C-134 $9\frac{5}{8}$ " OAL
C-134BS06	B	6" B Style Stem for C-134 $10\frac{1}{16}$ " OAL	C-134DS08	D	8" D Style Stem for C-134 $11\frac{5}{8}$ " OAL
C-134BS08	B	8" B Style Stem for C-134 $12\frac{1}{16}$ " OAL	C-134DS10	D	10" D Style Stem for C-134 $13\frac{5}{8}$ " OAL
C-134BS10	B	10" B Style Stem for C-134 $14\frac{1}{16}$ " OAL	C-134DS12	D	12" D Style Stem for C-134 $15\frac{5}{8}$ " OAL
C-134BS12	B	12" B Style Stem for C-134 $16\frac{1}{16}$ " OAL	C-134DS14	D	14" D Style Stem for C-134 $17\frac{5}{8}$ " OAL
C-134BS14	B	14" B Style Stem for C-134 $18\frac{1}{16}$ " OAL	231-01CC	E	CC E Style Stem for C-134 $5\frac{1}{16}$ " OAL
C-134CS04	C	4" C Style Stem for C-134 $7\frac{1}{16}$ " OAL	231-0104	E	4" E Style Stem for C-134 $7\frac{9}{16}$ " OAL
C-134CS06	C	6" C Style Stem for C-134 $9\frac{1}{16}$ " OAL	231-0106	E	6" E Style Stem for C-134 $9\frac{9}{16}$ " OAL
C-134CS08	C	8" C Style Stem for C-134 $11\frac{1}{16}$ " OAL	231-0108	E	8" E Style Stem for C-134 $11\frac{9}{16}$ " OAL
C-134CS10	C	10" C Style Stem for C-134 $13\frac{1}{16}$ " OAL	231-0110	E	10" E Style Stem for C-134 $13\frac{9}{16}$ " OAL
C-134CS12	C	12" C Style Stem for C-134 $15\frac{1}{16}$ " OAL	231-0112	E	12" E Style Stem for C-134 $15\frac{9}{16}$ " OAL
C-134CS14	C	14" C Style Stem for C-134 $17\frac{1}{16}$ " OAL	231-0114	E	14" E Style Stem for C-134 $17\frac{9}{16}$ " OAL
C-134US	B,C,D	Universal Stem for B, C, D Styles	231-01US	E	Universal Stem for E Style
C-134DS04	D	4" D Style Stem for C-134 $7\frac{5}{8}$ " OAL			