

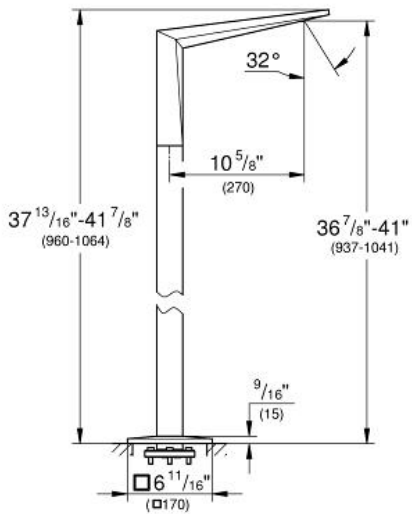
ALLURE BRILLIANT Tub Spout

MODEL # 13301

Pure Freude an Wasser



GROHE America, Inc | 200 North Gary Avenue, Suite G, Roselle, IL 60172
Phone: +1 (800) 444-7643 | Fax: +1 (800) 225-2778 | us-customerservice@grohe.com



Product Description:
Tub Spout

Standard Specification:

- Requires Rough-In Set 29 038 001 (sold separately)
- **GROHE StarLight®** finish
- Spout with integrated flow control
- Total height 37 13/18"-40 15/16"
- Projection 10 5/8"

Applicable Codes & Standards:

- Energy Policy Act of 1992
- ASME A112.18.1/CSA B125.1
- US Federal and State material regulations

Color:

- 13301 000 chrome

