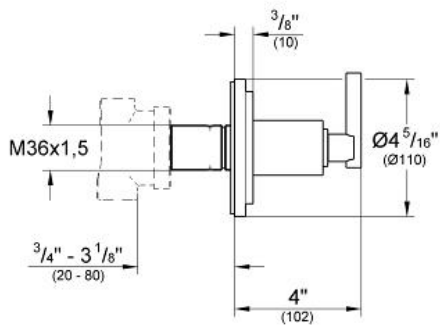


ATRIO
3-Way Diverter
MODEL # 19166

Pure Freude an Wasser

GROHE

GROHE America, Inc | 200 North Gary Avenue, Suite G, Roselle, IL 60172
Phone: +1 (800) 444-7643 | Fax: +1 (800) 225-2778 | us-customerservice@grohe.com



ADA

Product Description:
3-Way Diverter

Standard Specification:

- For use with Diverter Rough-In Valve (29 712)
- GROHE StarLight® finish
- GROHE SilkMove®
- Atrio Lever Handle

Applicable Codes & Standards:

- Energy Policy Act of 1992
- ASME A112.18.1/CSA B125.1
- ICC/ANSI A117.1

Color:

- 19166 000 chrome
- 19166 EN0 brushed nickel