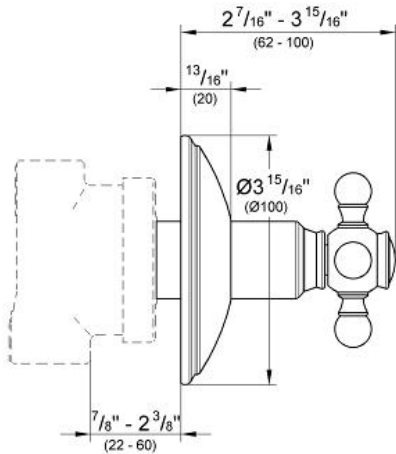


GENEVA  
3-Way Diverter  
MODEL # 19219

Pure Freude an Wasser

GROHE

GROHE America, Inc | 200 North Gary Avenue, Suite G, Roselle, IL 60172  
Phone: +1 (800) 444-7643 | Fax: +1 (800) 225-2778 | us-customerservice@grohe.com



**Product Description:**  
3-Way Diverter

**Standard Specification:**

- For use with Diverter Rough-In Valve (29 712)
- Adjustable installation depth: 7/8" - 2 3/8"
- For matching handle caps to replace the standard white caps see item (45 953)
- **GROHE StarLight®** finish

**Applicable Codes & Standards:**

- Energy Policy Act of 1992
- ASME A112.18.1/CSA B125.1

**Color:**

- 19219 000 chrome
- 19219 BE0 sterling / brilliant nickel
- 19219 EN0 brushed nickel
- 19219 ZB0 oil rubbed bronze