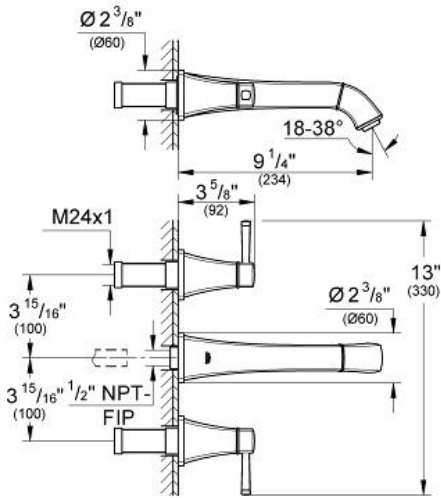


GRANDERA
 Three-hole basin mixer 1/2"
 M-Size
 MODEL # 20416

Pure Freude an Wasser



GROHE America, Inc | 200 North Gary Avenue, Suite G, Roselle, IL 60172
 Phone: +1 (800) 444-7643 | Fax: +1 (800) 225-2778 | us-customerservice@grohe.com



ADA

Product Description:
 Three-hole basin mixer 1/2"
 M-Size

Standard Specification:

- Wall mounted
- Final installation set for: 29 031 000
- Valves hot/cold with 1/2" cartridge (90°)
- **GROHE StarLight®** finish
- **GROHE EcoJoy®** technology for less water and perfect flow
- **GROHE AquaGuide®** adjustable aerator 5.7 l/min
- 9 1/4" spout reach
- Max Flow Rate: 1.5 gpm (5.7 L/min)

Applicable Codes & Standards:

- Energy Policy Act of 1992
- ASME A112.18.1/CSA B125.1
- ICC/ANSI A117.1

Color:

- 20416 000 chrome
- 20416 EN0 brushed nickel

