

GRANDERA

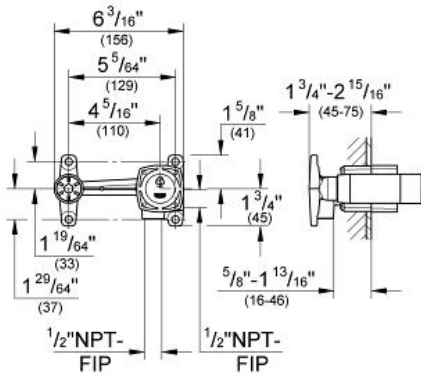
Single-lever mixer 1/2", concealed body

MODEL # 23320

Pure Freude an Wasser



GROHE America, Inc | 200 North Gary Avenue, Suite G, Roselle, IL 60172
Phone: +1 (800) 444-7643 | Fax: +1 (800) 225-2778 | us-customerservice@grohe.com



Product Description:
Single-lever mixer 1/2", concealed body

- Standard Specification:**
- For 2-hole basin mixers
 - Wall installation
 - Without finishing trim set
 - Installation depth (1 3/4" - 3")
 - **GROHE SilkMove** 35 mm ceramic cartridge
 - Adjustable flow rate limiter
 - Installation device
 - Max Flow Rate: 1.5 gpm (5.7 L/min)
 - 1/2" NPT Female Inlets
 - Center to Center
 - Cast Brass Construction

- Applicable Codes & Standards:**
- Energy Policy Act of 1992
 - NSF 61
 - ASME A112.18.1/CSA B125.1
 - US Federal and State material regulations

Color:
 23320 000 no colour