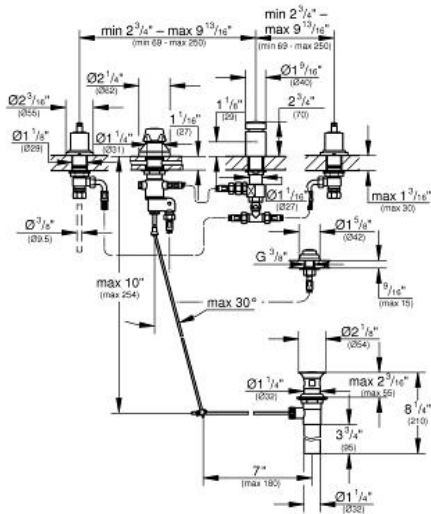


**ATRIO**  
**3-Hole Bidet Mixer**  
**M-Size**

MODEL # 24016

GROHE America, Inc | 200 North Gary Avenue, Suite G, Roselle, IL 60172  
 Phone: +1 (800) 444-7643 | Fax: +1 (800) 225-2778 | us-customerservice@grohe.com

*Pure Freude an Wasser*



**Product Description:**  
**3-Hole Bidet Mixer**  
**M-Size**

**Standard Specification:**

- GROHE StarLight® finish
- Diverter: rim flush/bidet spray
- Check installation compatibility with bidet fixture
- Less handles – order (18 026) or (18 027) (sold separately)

**Applicable Codes & Standards:**

- Energy Policy Act of 1992
- ASME A112.18.1/CSA B125.1

**Color:**

- 24016 000 chrome
- 24016 EN0 brushed nickel

