

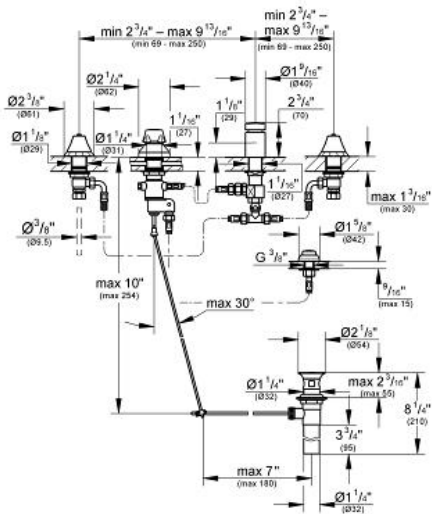
# KENSINGTON 3-Hole Bidet Mixer

MODEL # 24025

Pure Freude an Wasser



GROHE America, Inc | 200 North Gary Avenue, Suite G, Roselle, IL 60172  
Phone: +1 (800) 444-7643 | Fax: +1 (800) 225-2778 | us-customerservice@grohe.com



### Product Description: 3-Hole Bidet Mixer

#### Standard Specification:

- Handles sold separately
- Vertical spray and rim flush
- Double check valve
- 1/2" ceramic cartridge (90° turn)
- 1 1/4" pop-up waste set
- Pressure resistant flexible connection hoses (between spout and side valves)
- **GROHE StarLight®** finish
- Max Flow Rate 13.2 gpm (50 L/min)

#### Applicable Codes & Standards:

- Energy Policy Act of 1992
- ASME A112.18.1/CSA B125.1

#### Color:

- 24025 000 chrome
- 24025 EN0 brushed nickel

