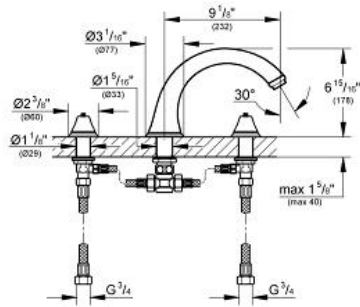


GENEVA
Roman Tub Filler
MODEL # 25054

Pure Freude an Wasser



GROHE America, Inc | 200 North Gary Avenue, Suite G, Roselle, IL 60172
Phone: +1 (800) 444-7643 | Fax: +1 (800) 225-2778 | us-customerservice@grohe.com



Product Description:
Roman Tub Filler

Standard Specification:

- 10" bath tub spout
- 1/2" valves
- Less handles - order Geneva Cross Handles (18 733) or Geneva Lever Handles (18 734) (sold separately)
- GROHE StarLight® finish

Applicable Codes & Standards:

- Energy Policy Act of 1992
- ASME A112.18.1/CSA B125.1

Color:

- 25054 000 chrome
- 25054 BE0 sterling / brilliant nickel
- 25054 EN0 brushed nickel
- 25054 ZB0 oil rubbed bronze

