

KENSINGTON

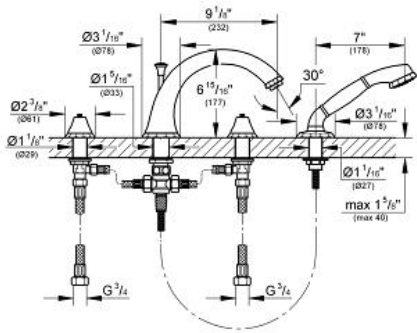
Four-hole bath combination

MODEL # 25073

Pure Freude an Wasser



GROHE America, Inc | 200 North Gary Avenue, Suite G, Roselle, IL 60172
Phone: +1 (800) 444-7643 | Fax: +1 (800) 225-2778 | us-customerservice@grohe.com



Product Description:

Four-hole bath combination

Standard Specification:

- Handles sold separately
- Diverter bath spout with flow control
- 1/2" ceramic cartridge (90° turn)
- Handshower
- **GROHE StarLight®** finish
- Max Flow Rate 13.2 gpm (50 L/min)

Applicable Codes & Standards:

- Energy Policy Act of 1992
- ASME A112.18.1/CSA B125.1

Color:

- 25073 000 chrome
- 25073 EN0 brushed nickel

