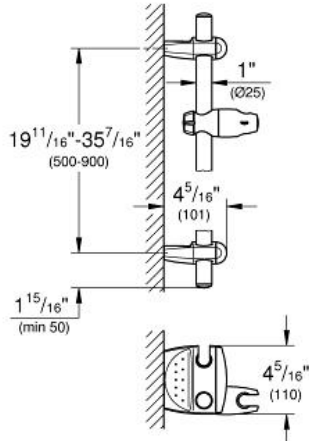


MOVARIO
36" Shower Bar
MODEL # 28398000

Pure Freude an Wasser



GROHE America, Inc | 200 North Gary Avenue, Suite G, Roselle, IL 60172
Phone: +1 (800) 444-7643 | Fax: +1 (800) 225-2778 | us-customerservice@grohe.com



Product Description:
36" Shower Bar

Standard Specification:

- Wall mount
- Variable fixing point metal mounting brackets for easy retrofit and corner mounting
- Glide element with swivel hand shower holder
- Wall brackets with trays and integrated shower holder
- **GROHE QuickFix®** (adjustable distance between wall shower holders for adaption to existing drillings)
- **GROHE StarLight®** finish

Applicable Codes & Standards:

- Energy Policy Act of 1992
- ASME A112.18.1/CSA B125.1

Color:

- 28398000 000 chrome