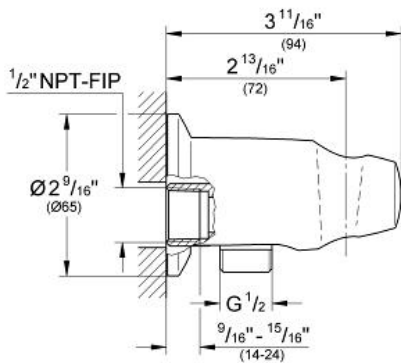


MOVARIO
 Shower outlet elbow, 1/2"
 MODEL # 28484000

Pure Freude an Wasser



GROHE America, Inc | 200 North Gary Avenue, Suite G, Roselle, IL 60172
 Phone: +1 (800) 444-7643 | Fax: +1 (800) 225-2778 | us-customerservice@grohe.com



Product Description:
 Shower outlet elbow, 1/2"

- Standard Specification:**
- With shower holder
 - 1/2" NPT Female Threads
 - GROHE StarLight® finish

- Applicable Codes & Standards:**
- Energy Policy Act of 1992
 - ASME A112.18.1/CSA B125.1

Color:
 28484000 000 chrome

