

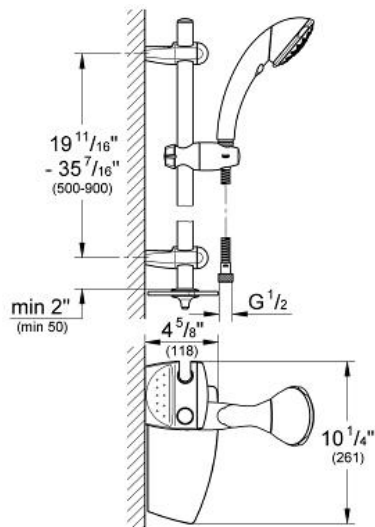
# MOVARIO 100 FIVE Shower Set 5

MODEL # 28574

Pure Freude an Wasser



GROHE America, Inc | 200 North Gary Avenue, Suite G, Roselle, IL 60172  
Phone: +1 (800) 444-7643 | Fax: +1 (800) 225-2778 | us-customerservice@grohe.com



### Product Description: Shower Set 5

#### Standard Specification:

- Consisting of:
- Movario 5 hand shower (28 444 000)
- 36" adjustable height shower bar (28 398 000)
- 59" shower hose (28 417 000)
- Universal Tray (28 549 000)
- With shower holder
- **RotaHead** System allows hand shower to function as a shower head or a body spray when used with a shower bar
- GROHE EcoJoy®
- **GROHE StarLight**® finish
- **SpeedClean**® anti-lime system

#### Applicable Codes & Standards:

- Energy Policy Act of 1992
- ASME A112.18.1/CSA B125.1

#### Color:

- 28574 000 chrome
- 28574 EN0 brushed nickel

