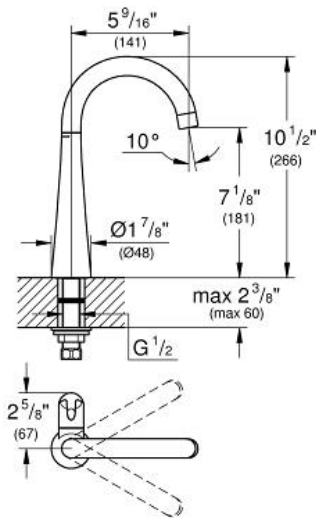


ZEDRA
Pilar Tap 1/2"
MODEL # 30026

Pure Freude an Wasser



GROHE America, Inc | 200 North Gary Avenue, Suite G, Roselle, IL 60172
Phone: +1 (800) 444-7643 | Fax: +1 (800) 225-2778 | us-customerservice@grohe.com



Product Description:
Pilar Tap 1/2"

Standard Specification:

- Single hole installation
- **GROHE StarLight®** finish
- Ceramic cartridge
- Flow control
- Swivel Spout
- Swivel area 360°
- Spout Reach 5 9/16"
- Max Flow Rate: 1.75 gpm (6.6 L/min)

Applicable Codes & Standards:

- Energy Policy Act of 1992
- NSF 61
- ASME A112.18.1/CSA B125.1
- US Federal and State material regulations
- ICC/ANSI A117.1

Color:

- 30026 000 chrome
- 30026 00E chrome
- 30026 DCE supersteel
- 30026 DC0 supersteel
- 30026 SD0 stainless steel, brushed
- 30026 SDE stainless steel, brushed

