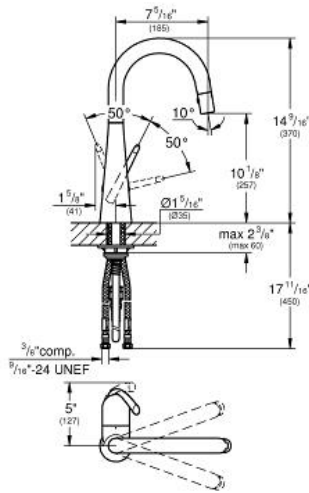


LADYLUX3 PRO
Single-lever sink mixer 1/2"
MODEL # 32283

Pure Freude an Wasser



GROHE America, Inc | 200 North Gary Avenue, Suite G, Roselle, IL 60172
Phone: +1 (800) 444-7643 | Fax: +1 (800) 225-2778 | us-customerservice@grohe.com



Product Description:
Single-lever sink mixer 1/2"

Standard Specification:

- Single hole installation
- Swivel Spout
- Adjustable flow rate limiter
- **Dual Spray Pull-Out**
- Automatic returning
- Integrated non-return valve
- Diverter: aerator/shower jet
- Automatic return to aerator
- Stainless Steel Braided Flexible Supplies
- Quick installation system
- **SpeedClean®** anti-lime system
- **Protected against backflow**
- **GROHE SilkMove®** ceramic cartridge
- **GROHE SuperSteel** Infinity Finish™
- **GROHE RealSteel®** Stainless Steel Construction produced from 304 stainless steel
- Forward rotation lever, does not hit backsplash
- Max Flow Rate: 1.75 gpm (6.6 L/min)

Applicable Codes & Standards:

- Energy Policy Act of 1992
- NSF 61
- ASME A112.18.1/CSA B125.1
- US Federal and State material regulations
- ICC/ANSI A117.1
- CalGreen

Color:

- 32283 000 chrome
- 32283 00E chrome
- 32283 DCE supersteel
- 32283 DC0 supersteel
- 32283 SD0 stainless steel, brushed
- 32283 SDE stainless steel, brushed