

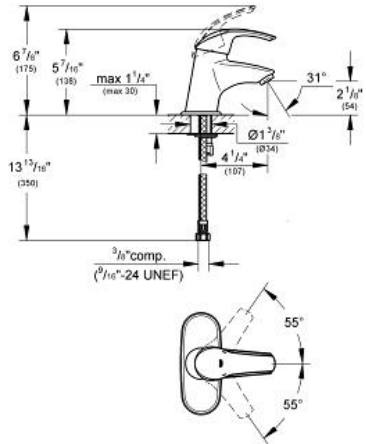
EUROSMART Lavatory Centerset S-Size

MODEL # 32710

GROHE America, Inc | 200 North Gary Avenue, Suite G, Roselle, IL 60172
Phone: +1 (800) 444-7643 | Fax: +1 (800) 225-2778 | us-customerservice@grohe.com

Pure Freude an Wasser

GROHE



Product Description: Lavatory Centerset S-Size

Standard Specification:

- GROHE StarLight® finish
- GROHE WaterCare™
- GROHE SilkMove® ceramic cartridge
- Single lever handle
- Stainless steel braided flexible supplies
- Solid brass body
- Quick installation system
- 6" escutcheon
- Max Flow Rate: 1.5 gpm (5.7 L/min)

Applicable Codes & Standards:

- Energy Policy Act of 1992
- NSF 61
- ASME A112.18.1/CSA B125.1
- US Federal and State material regulations
- EPA WaterSense®
- ICC/ANSI A117.1

Color:

- 32710 001 chrome