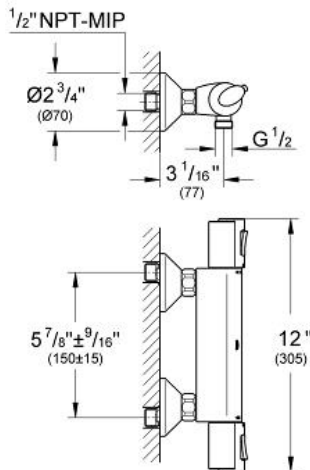


GROHTHERM 1000  
Thermostatic shower mixer 1/2"  
MODEL # 34150

Pure Freude an Wasser



GROHE America, Inc | 200 North Gary Avenue, Suite G, Roselle, IL 60172  
Phone: +1 (800) 444-7643 | Fax: +1 (800) 225-2778 | us-customerservice@grohe.com



**Product Description:**  
Thermostatic shower mixer 1/2"

**Standard Specification:**

- Wall mount
- GROHE TurboStat® Compact cartridge with wax thermoelement
- Integrated mixed water shut off 1/2" ceramic cartridge (180° turn)
- Volume control handle with economy button and individually adjustable economy stop
- SafeStop at 100°F
- 1/2" Shower bottom outlet
- Built-in non-return valves
- Dirt strainers
- S-unions
- Protected against backflow
- GROHE EcoJoy® technology for less water and perfect flow
- GROHE StarLight® finish

**Applicable Codes & Standards:**

- Energy Policy Act of 1992
- ASME A112.18.1/CSA B125.1

**Color:**

- 34150 000 chrome

