

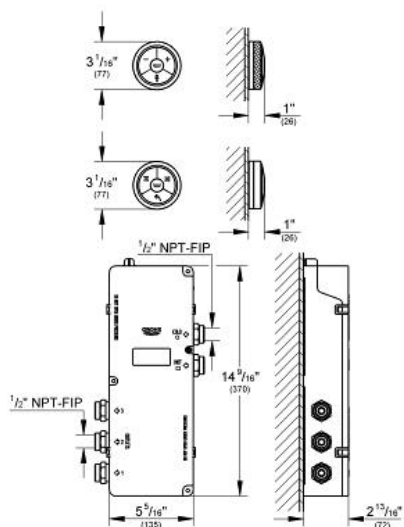
# Digital Controller & Diverter (Headshower/Handshower/ Body Spray)

MODEL # 36297

GROHE America, Inc | 200 North Gary Avenue, Suite G, Roselle, IL 60172  
Phone: +1 (800) 444-7643 | Fax: +1 (800) 225-2778 | us-customerservice@grohe.com

Pure Freude an Wasser

**GROHE**



## Product Description:

### Digital Controller & Diverter (Headshower/Handshower/ Body Spray)

#### Standard Specification:

- Including digital thermostat unit
  - Digital Controller - intuitive multi-functional operating unit
  - Wireless technology
  - Temperature and flow control
  - Pause-function
  - Memory-function
  - LED-ring incl. warming-up function: visual feedback when preferred temperature is reached
  - Digital diverter for shower
  - Diverter: shower head, body spray, and hand shower
  - LED-ring (indication of outlet)
  - Digital thermostat unit (concealed body)
  - Warm/cold 1/2" supplies
  - 3 x 1/2" outlets
  - Transceiver unit for Digital Controller and Digital thermostat unit incl. 9.8 ft. cable
  - **GROHE TurboStat®** digital controlled compact cartridge with wax thermoelement
  - Default setting configurable during installation: automatic safety shut-off after 20 min
  - Automatic safety shut-off after 20 min
  - GROHE SafeStop at 100°F
  - **GROHE StarLight®** finish
  - **GROHE EcoJoy®** technology for less water and perfect flow
- Requires:
- Built-in power supply 36 078 000 or plug-in power supply 65 912 000
  - 13.4 gpm at 45psi
  - Includes a 12" Digital gateway for optimal installation reach
  - Includes three 3V lithium batteries for digital controller and diverter

#### Applicable Codes & Standards:

- Energy Policy Act of 1992
- ASME A112.18.1/CSA B125.1
- US Federal and State material regulations

#### Color:

- 36297 000 chrome

*Pure Freude an Wasser*



GROHE America, Inc | 200 North Gary Avenue, Suite G, Roselle, IL 60172  
Phone: +1 (800) 444-7643 | Fax: +1 (800) 225-2778 | [us-customerservice@grohe.com](mailto:us-customerservice@grohe.com)

