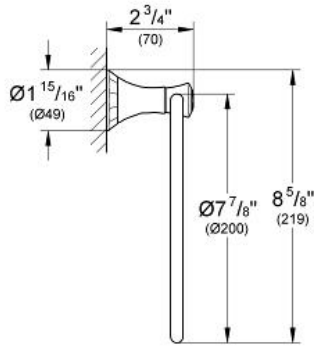


KENSINGTON
Towel Ring
MODEL # 40222

Pure Freude an Wasser

GROHE

GROHE America, Inc | 200 North Gary Avenue, Suite G, Roselle, IL 60172
Phone: +1 (800) 444-7643 | Fax: +1 (800) 225-2778 | us-customerservice@grohe.com



Product Description:
Towel Ring

- Standard Specification:**
- GROHE StarLight® finish

- Applicable Codes & Standards:**
- Energy Policy Act of 1992
 - ASME A112.18.1/CSA B125.1

- Color:**
- 40222 000 chrome
 - 40222 EN0 brushed nickel
 - 40222 VP0 chrom Swarovski crystal