

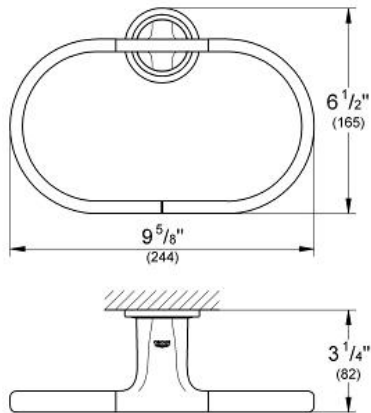
GROHE ONDUS®  
Towel Ring

MODEL # 40379

*Pure Freude an Wasser*



GROHE America, Inc | 200 North Gary Avenue, Suite G, Roselle, IL 60172  
Phone: +1 (800) 444-7643 | Fax: +1 (800) 225-2778 | us-customerservice@grohe.com



**Product Description:**  
Towel Ring

**Standard Specification:**

**Applicable Codes & Standards:**

- Energy Policy Act of 1992
- ASME A112.18.1/CSA B125.1

**Color:**

- 40379 000 chrome
- 40379 KS0 velvet black
- 40379 LS0 Moon White, Yang White